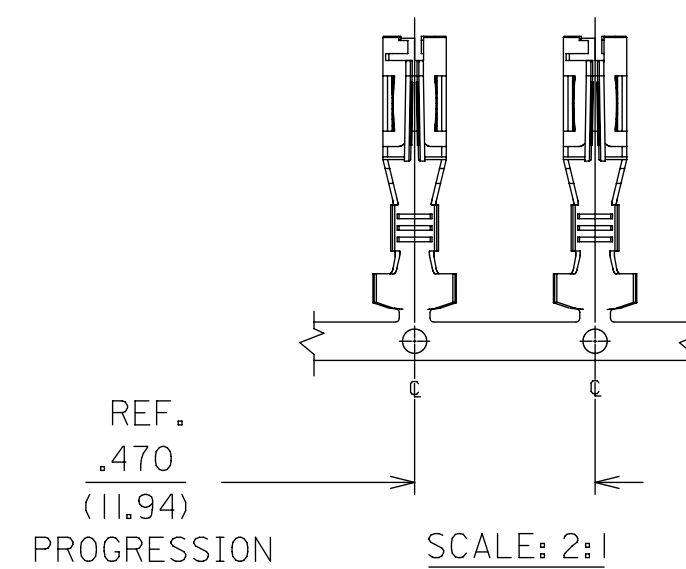


SMALL INSULATION CRIMP



NOTES:

1. MATERIAL: .012/(0.30) THICK C26000 BRASS.
2. FINISH: HOT TIN DIP.
3. PRODUCT SPECIFICATION: PS-44441-9999.
4. PACKAGING SPECIFICATION: 433750000-PK
5. FOR USE IN 44441 SERIES HOUSINGS.
6. SINGLE CRIMP TO #16 & #14 AWG WIRE WITH .031"/(0.79) MAXIMUM INSULATION THICKNESS.
7. NO PORTION OF ONE LOCK TANG BEAM SHALL TOUCH ANY PORTION OF THE OTHER LOCK TANG BEAM.
8. PARTS CONFORM TO CLASS 'B' REQUIREMENTS OF PS-45499-002.

SYMBOLS DIMENSION UNITS SCALE CURRENT REV DESC: ADD PK SPEC	THIS DRAWING CONTAINS INFORMATION THAT IS PROPRIETARY TO MOLEX ELECTRONIC TECHNOLOGIES, LLC AND SHOULD NOT BE USED WITHOUT WRITTEN PERMISSION						
	IN/MM 10:1	GENERAL TOLERANCES (UNLESS SPECIFIED)				TERMINAL, RECEPTACLE .125/(3.18) X .020/(.51) FLAT BLADE SYSTEM - TPA	
	4 PLACES ± 3 PLACES ± 0.005 2 PLACES ± 0.13 ± 0.01 1 PLACE ± 0.25 ± 0 PLACES ±	MM INCH	EC NO: 617584 DRWN: JEHRISMAN 2019/04/02 CHK'D: MKIPPER 2019/06/13 APPR: FSMITH 2019/06/18		PRODUCT CUSTOMER DRAWING		
	ANGULAR TOL ± 0.5 ° DRAFT WHERE APPLICABLE MUST REMAIN WITHIN DIMENSIONS	THIRD ANGLE PROJECTION 	DRAWING C-SIZE	SERIES 43375	DOCUMENT NUMBER SD-43375-0001	DOC TYPE PSD	DOC PART 001
DOCUMENT STATUS P1	RELEASE DATE 2019/06/18	16:00:37	MATERIAL NUMBER 433750001	CUSTOMER GENERAL MARKET	SHEET NUMBER 1 OF 1		