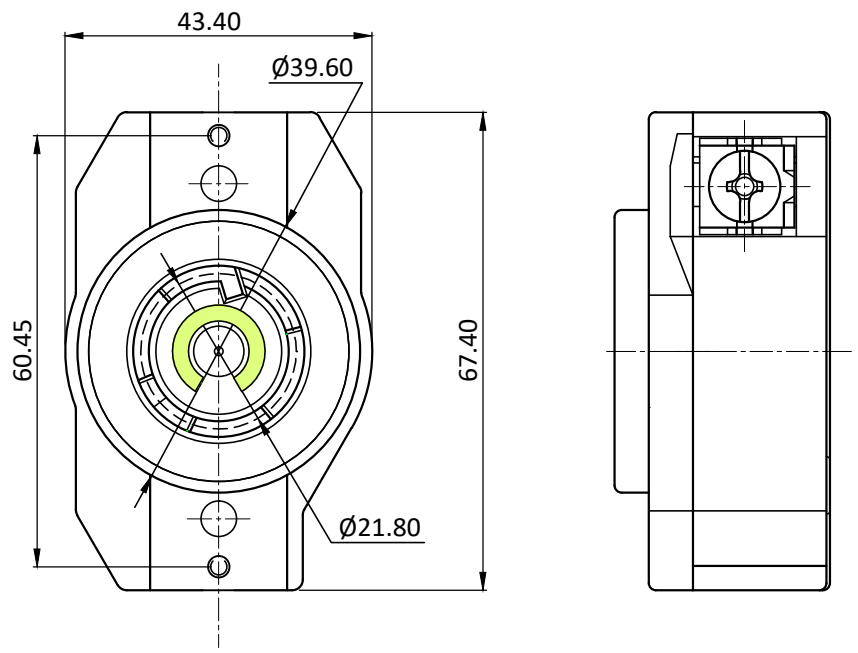


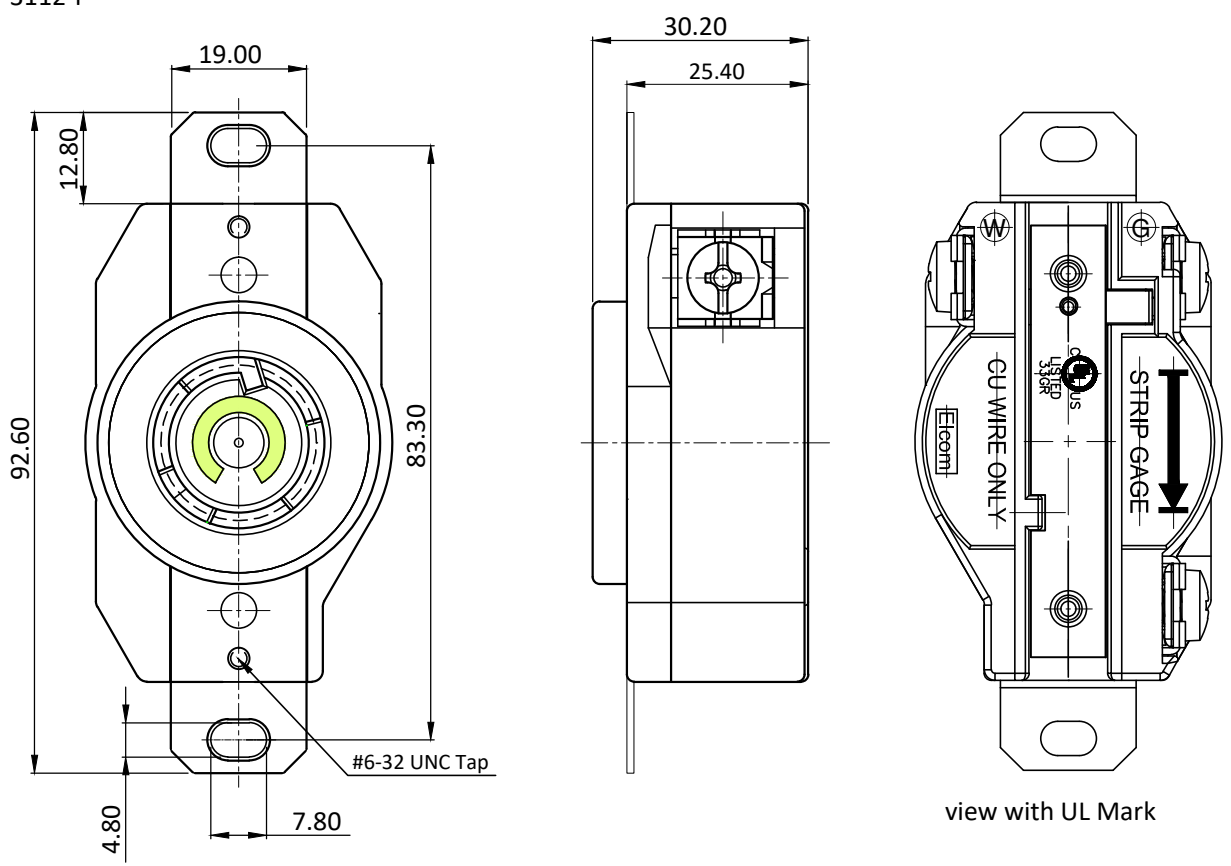
PRODUCT CODE:- **ENO-3112 Series**

CATEGORY:- **NEMA SOCKET**


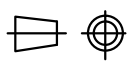
BASIC DIMENSIONS:-
ENO-3112



ENO-3112-F



view with UL Mark

						APP	05.05.07	SBP	 Plot E-4, Kagal Five Star MIDC, Kagal, Kolhapur, MH - 416236, India Elcom International Pvt. Ltd. www.elcom-in.com		
						CHK	05.05.07	KAK			
						DRN	05.05.07	TRN			
REV	IS	WAS	DATE	SIGN	APP.	BY	DATE	SIGN			
UNSP.TOLERANCE		DIMNS. IN	WT(Gm)	SCALE:-	PROJECTION	SHEET	DRAWING NUMBER				
OVER	-	1	10	mm	Max.	NTS.	 1 OF 2	P E N O 2 3 1 1			REVISION
UP TO	1	10	-	Moulding, plating details as per Bill of Material Unspecified colour is Black, GF:Glass filled.							0
±	0.2	0.3	0.5								

F:ENG-08.00

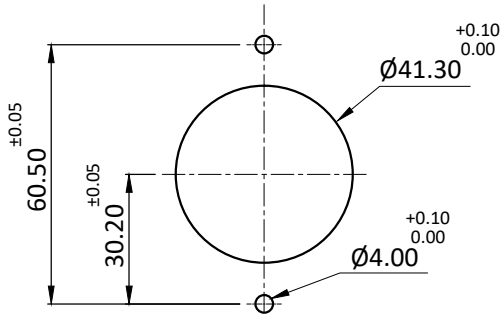
Note: Technical specifications are subject to change without prior notice

Copyright © 2019 by Elcom International Pvt.Ltd, India. All rights reserved

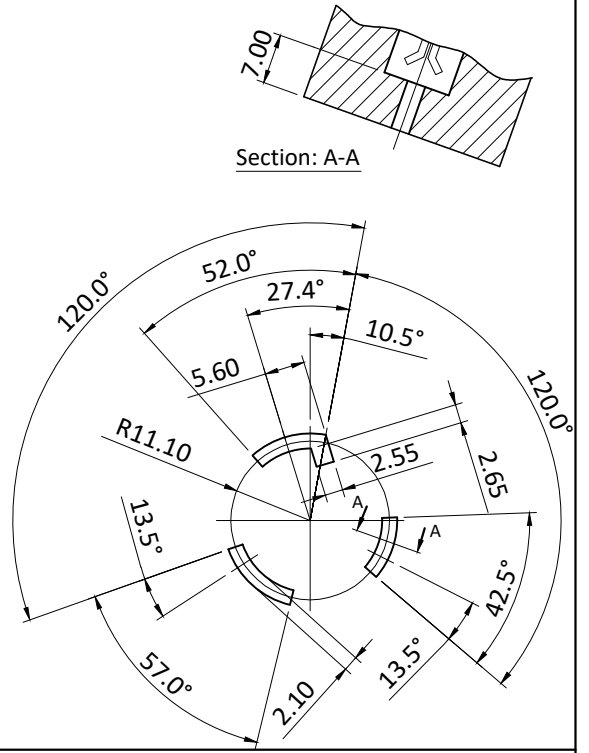
PRODUCT CODE:- **ENO-3112 Series**

CATEGORY:- **NEMA SOCKET**

PANEL CUTOUT:-



NEMA SLOT CONFIGURATION



ORDERING CODE:-

Sr.No.	Twist Lock Type	Code	Approvals
1	Twist Lock, 20A 125V (L5-20R)	ENO-3112	
2	Twist Lock, 20A 125V (L5-20R) with Flange	ENO-3112-F	

SPECIFICATION TABLE:-

SR.NO.	PARAMETER	SPECIFICATION	
1	Connector Type	Twist lock L6-20R type	
2	V/A Rating	250 V, 20 A	
3	Contact Resistance (Initial)	10 mohms max.	
4	Insulation Resistance At 500 V DC	100 Mohms min.	
5	H.V.Break Down Test (For 1-Minute)	2 KVAC	
6	Mounting	Panel, Screw-type	
7	Panel Thickness	--	
8	Terminals	Screw-type #14 to #10 AWG	
9	Permissible Temp.	(a) With/Without Load	0°C TO 65°C
		(b) For Soldering	--
10	Material	(a) Body, Cover	Nylon-6, GF20%, V-2
		(b) Contacts, Terminals	Brass
		(c) Terminal screws	Brass Tightening Torque : 12 Kg-cm min.
11	Reference Standard	UL-498, UL-486E, NEMA WD 6 CAN/CSA C22.2 No.0-M91, CSA C22.2 No.42-99	
12	Approvals	File No.E258604, File No.239539	

⊕: Also available for temp. rating up to 125°C on request (For UL only)

APP	05.05.07	SBP	Plot E-4, Kagal Five Star MIDC, Kagal, Kolhapur, MH - 416236, India Elcom International Pvt. Ltd. www.elcom-in.com						
CHK	05.05.07	KAK							
DRN	05.05.07	TRN							
REV	IS	WAS	DATE	SIGN	APP.	BY	DATE	SIGN	
UNSP.TOLERANCE		DIMNS. IN	WT(Gm)	SCALE:-	PROJECTION	SHEET	DRAWING NUMBER		
OVER	- 1 10	mm	Max.	NTS.		2 OF 2	P E N O 2 3 1 1	REVISION	0
UP TO	± 0.2 0.3 0.5	Moulding, plating details as per Bill of Material Unspecified colour is Black, GF:Glass filled.							

F:ENG-08.00

Note: Technical specifications are subject to change without prior notice

Copyright © 2019 by Elcom International Pvt.Ltd, India. All rights reserved