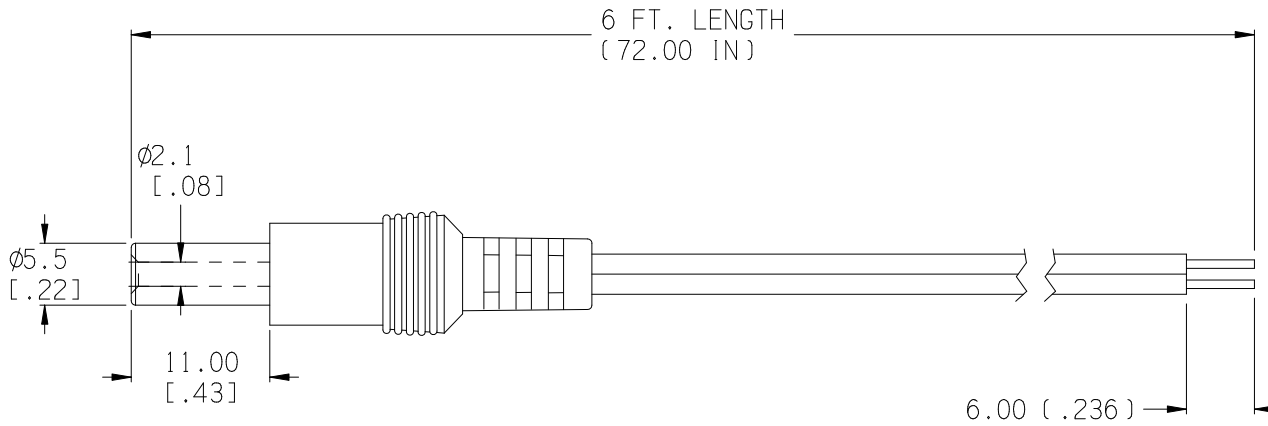



Date	SYM	REVISION RECORD	AUTH	DR.	CK.
3/14/14	A	UPDATED TO ROHS 2 COMPLIANT	T.B.	B.S.	
02/19/16	B	DIM. 6.00 WAS 4.00 WIRE GAUGE 22AWG WAS 24AWG	T.B.	B.S.	



HOUSING: BLACK PVC  
 CORD: UL2468, 300V, 80°C, 22 AWG  
 PASSES UL FLAME TEST VW-1  
 CENTER IS POSITIVE CONTACT  
 DC MOLDED PLUG: 2.1mm X 5.5mm  
 CURRENT RATING: 6A MAX.  
 ROHS 2 COMPLIANT

Tolerance (Inches)	 <b>Memory Protection Devices, Inc.</b> 200 Broad Hollow Road, Farmingdale, New York 11735	
Decimal $\pm .5$ (.020)	Scale	Drawn By B.S. Approved By T.B.
Fractional $\pm .8$ (.030)	Title 2.1mm DC MOLDED PLUG WITH 6' WIRE LEADS	
Angular $\pm 3^\circ$	Date 02/19/16	Drawing Number 172-4101