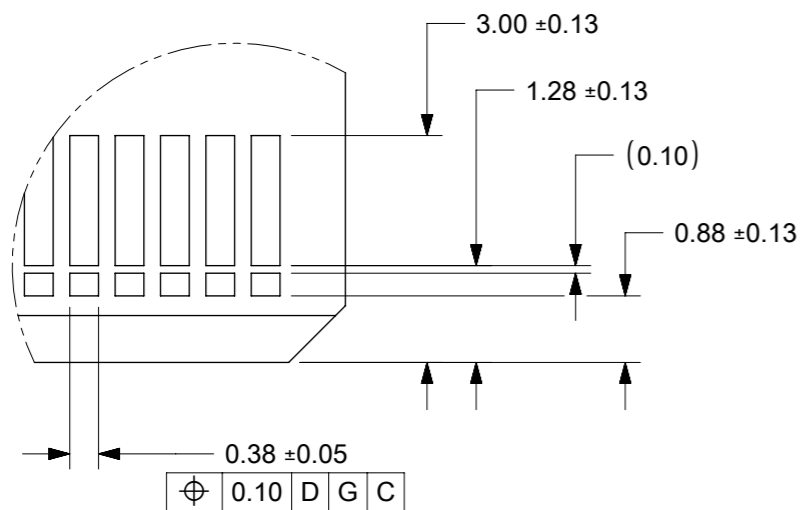
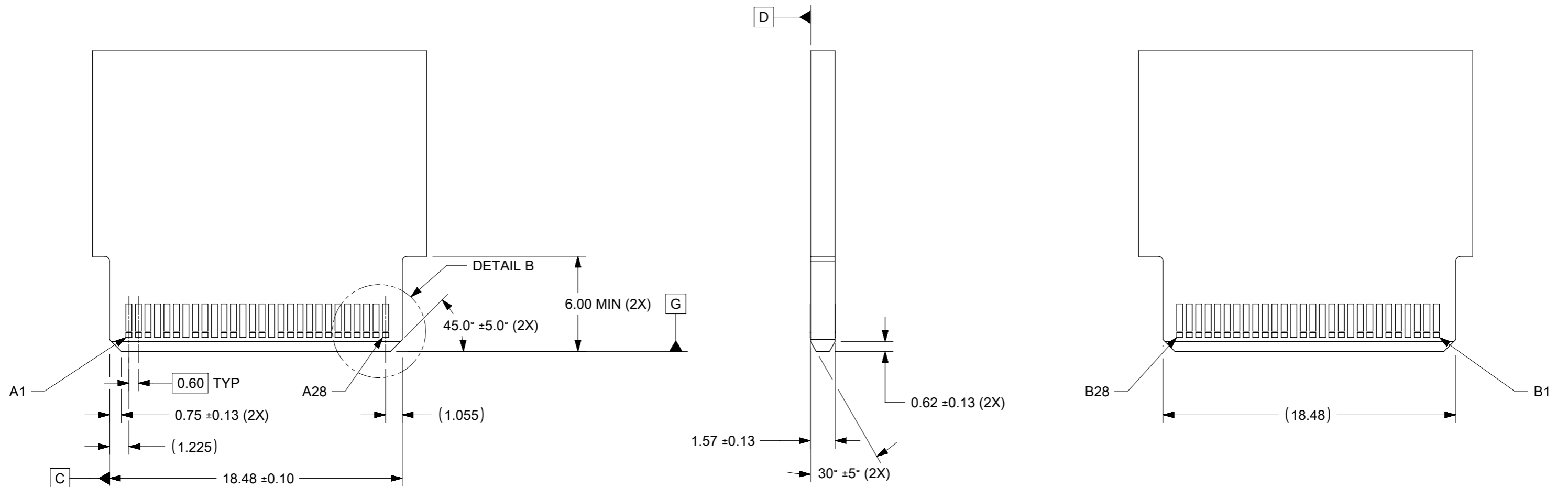


- NOTE:
- MATERIAL :
HOUSING : GLASS FILLED LIQUID CRYSTAL POLYMER UL94-V0 BLACK
CONTACT: COPPER ALLOY
 - FINISH : SEE TABLE
 - PRODUCT SPECIFICATION : SEE TABLE
 - PACKAGING SPECIFICATION : PRODUCT SHALL BE PACKED IN TRAY, SEE TABLE
 - APPLICATION SPECIFICATION : 2072620193-AS
 - MATING CARD THICKNESS : 1.57 ± 0.13
 - PCB THICKNESS : 2.36 ± 0.23
 - MOLEX LOGO, DATECODE & PART NUMBER INDICATED ON HOUSING.

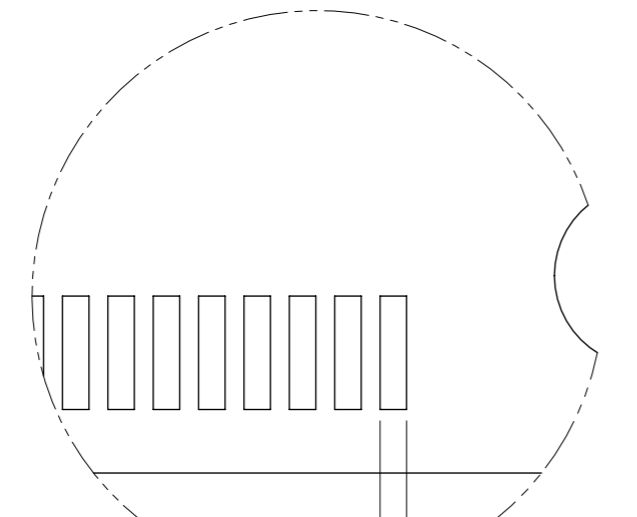
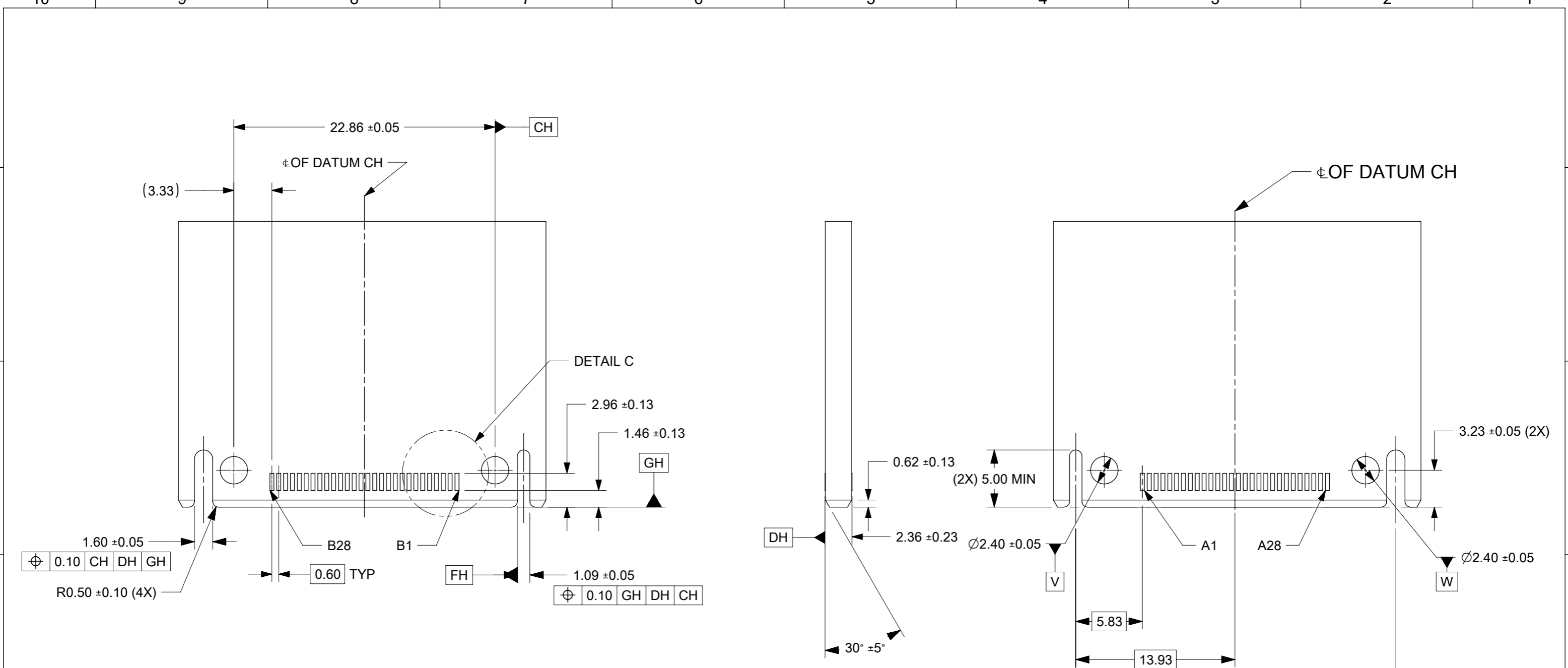
THIS DRAWING CONTAINS INFORMATION THAT IS PROPRIETARY TO MOLEX ELECTRONIC TECHNOLOGIES, LLC AND SHOULD NOT BE USED WITHOUT WRITTEN PERMISSION		CURRENT REV DESC: REVISED		molex	
DIMENSION UNITS	SCALE				
mm	NTS			PRODUCT CUSTOMER DRAWING	
GENERAL TOLERANCES (UNLESS SPECIFIED)				DOCUMENT NUMBER	
ANGULAR TOL ± 0.3°				2072630004	
4 PLACES ±		EC NO: 730748		DOC TYPE	DOC PART
3 PLACES ±		DRWN: MMALLIGEVALU 2022/01/21		PSD	000
2 PLACES ±	0.25	CHK'D: JAKEEMEW 2022/12/06		REVISION	
1 PLACE ±		APPR: SHLENI 2022/12/07		B1	
0 PLACES ±		INITIAL REVISION:			
DRAFT WHERE APPLICABLE MUST REMAIN WITHIN DIMENSIONS		THIRD ANGLE PROJECTION	DRAWING	SERIES	MATERIAL NUMBER
			A3-SIZE	207263	SEE TABLE
				CUSTOMER	SHEET NUMBER
				GENERAL MARKET	1 OF 4

AIC MATING CARD



DETAIL B
SCALE 10:1

THIS DRAWING CONTAINS INFORMATION THAT IS PROPRIETARY TO MOLEX ELECTRONIC TECHNOLOGIES, LLC AND SHOULD NOT BE USED WITHOUT WRITTEN PERMISSION										
DIMENSION UNITS	SCALE	CURRENT REV DESC: REVISED								
mm	NTS									
GENERAL TOLERANCES (UNLESS SPECIFIED)		EC NO: 730748			EDGELINE SLIVER 1C 2.36MM PCB 56CKTS STRADDLE MOUNT					
ANGULAR TOL	± 0.3°	DRWN: MMALLIGEVALU 2022/01/21			PRODUCT CUSTOMER DRAWING					
4 PLACES	±	CHK'D: JAKEEMEW 2022/12/06			DOCUMENT NUMBER					
3 PLACES	±	APPR: SHLENI 2022/12/07			2072630004			DOC TYPE	DOC PART	REVISION
2 PLACES	± 0.25	INITIAL REVISION:			PSD 000 B1					
1 PLACE	±	DRWN: SKANG 2019/02/15			MATERIAL NUMBER					
0 PLACES	±	APPR: SHLENI 2019/07/04			CUSTOMER					
DRAFT WHERE APPLICABLE MUST REMAIN WITHIN DIMENSIONS		THIRD ANGLE PROJECTION	DRAWING	SERIES	SHEET NUMBER		SHEET NUMBER			
			A3-SIZE	207263	SEE TABLE	GENERAL MARKET	2 OF 4			



DETAIL C
SCALE 10:1

THIS DRAWING CONTAINS INFORMATION THAT IS PROPRIETARY TO MOLEX ELECTRONIC TECHNOLOGIES, LLC AND SHOULD NOT BE USED WITHOUT WRITTEN PERMISSION									
DIMENSION UNITS		SCALE		CURRENT REV DESC: REVISED				molex	
mm		NTS							
GENERAL TOLERANCES (UNLESS SPECIFIED)									
ANGULAR TOL ± 0.3°									
4 PLACES ±									
3 PLACES ±									
2 PLACES ± 0.25									
1 PLACE ±									
0 PLACES ±									
DRAFT WHERE APPLICABLE MUST REMAIN WITHIN DIMENSIONS									
THIRD ANGLE PROJECTION		DRAWING		SERIES		MATERIAL NUMBER		CUSTOMER	
		A3-SIZE		207263		SEE TABLE		GENERAL MARKET	
EC NO: 730748				DRWN: MMALLIGEVALU		2022/01/21		DOCUMENT NUMBER	
CHK'D: JAKEEMEW				2022/12/06		2072630004			
APPR: SHLENI				2022/12/07				DOC TYPE	
INITIAL REVISION:				DRWN: SKANG		2019/02/15		REVISION	
APPR: SHLENI				2019/07/04		PSD		000 B1	
MUST REMAIN WITHIN DIMENSIONS				SERIES		MATERIAL NUMBER		SHEET NUMBER	
				A3-SIZE		207263		3 OF 4	

ASSEMBLY PART NUMBER	CIRCUIT	PLATING OPTION	PRODUCT SPECIFICATION	PACKAGING SPECIFICATION
2072636236	56	0.76μm/30μIn MIN. GOLD ON CONTACT 2.54μM/100μIn MIN. PURE MATTE TIN ON SOLDERTAILS OVER 1.27μM/50μIn MIN. NICKEL UNDERPLATE	2072630236-PS	2072620056-PK

THIS DRAWING CONTAINS INFORMATION THAT IS PROPRIETARY TO MOLEX ELECTRONIC TECHNOLOGIES, LLC AND SHOULD NOT BE USED WITHOUT WRITTEN PERMISSION									
DIMENSION UNITS	SCALE	CURRENT REV DESC: REVISED				molex			
mm	NTS								
GENERAL TOLERANCES (UNLESS SPECIFIED)		EC NO: 730748 DRWN: MMALLIGEVALU 2022/01/21 CHK'D: JAKEEMEW 2022/12/06 APPR: SHLENI 2022/12/07 INITIAL REVISION: DRWN: SKANG 2019/02/15 APPR: SHLENI 2019/07/04				EDGELINE SLIVER 1C 2.36MM PCB 56CKTS STRADDLE MOUNT			
ANGULAR TOL	± 0.3 °					PRODUCT CUSTOMER DRAWING			
4 PLACES	±					DOCUMENT NUMBER			
3 PLACES	±					2072630004			
2 PLACES	± 0.25					DOC TYPE			
1 PLACE	±	PSD							
0 PLACES	±	DOC PART							
DRAFT WHERE APPLICABLE MUST REMAIN WITHIN DIMENSIONS		THIRD ANGLE PROJECTION		DRAWING	SERIES	MATERIAL NUMBER	CUSTOMER	REVISION	
				A3-SIZE	207263	SEE TABLE	GENERAL MARKET	000	B1
								4 OF 4	

DOCUMENT STATUS	P1	RELEASE DATE	2022/12/07	04:03:51
-----------------	----	--------------	------------	----------