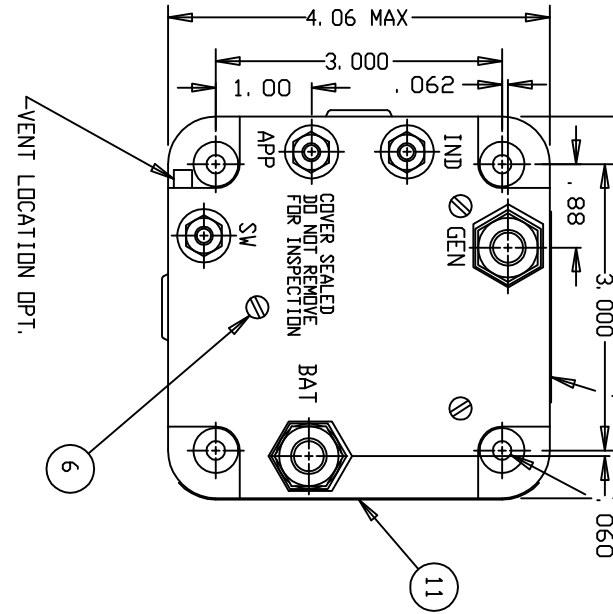


REV.	DESCRIPTION	DATE	APPROVED
A	ADDED .06 & 1.00 DIM'S	04/03/31	RS
B	0691-04 REMOVED PRELIMINARY. ADDED TYCO P/N	04/08/30	CB
C	0691-04 REMOVED ITEM 12, 13 BALDONS	04/12/09	JMK
D	12-011320 ITEM 11 WAS 39529-001 OVERLAY	12/06/18	MDM

(REMOVE FINISH FROM BOTH SIDES OF THE .44 DIA)

1 LOCATION OPTIONAL
 .196 ± .010 DIA. HOLE
 4 MTG. HOLES



CONSTRUCTION
 MAIN CONTACTS
 CONFIGURATION
 VOLTAGE
 CURRENT

GASKET SEALED (VENTED)

SPST N. D.
 28 VDC
 400 AMP
 1000 AMP FDR 30 SEC
 1500 AMP INRUSH

0.5 +/- 0.15 VDC
 25-50 AMPS

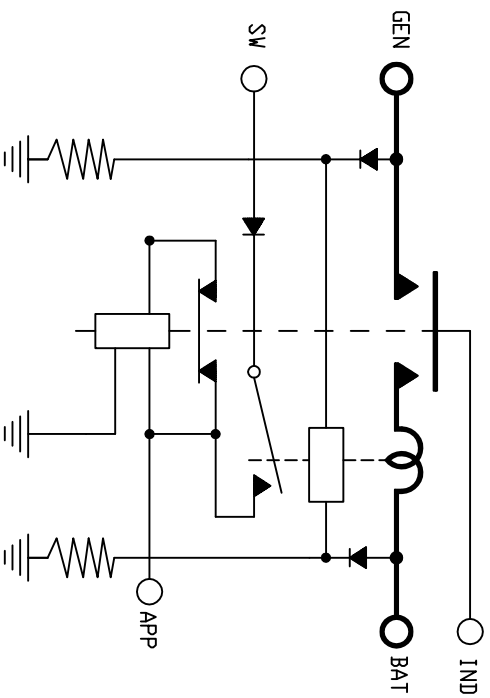
DIFF. PICKUP
 REV. I DROPOUT

COIL DATA
 VOLTAGE
 PICKUP
 PULL THROUGH
 DROPOUT
 RESISTANCE AT 25°C
 PICKUP
 HOLDING
 PEAK INRUSH
 DUTY

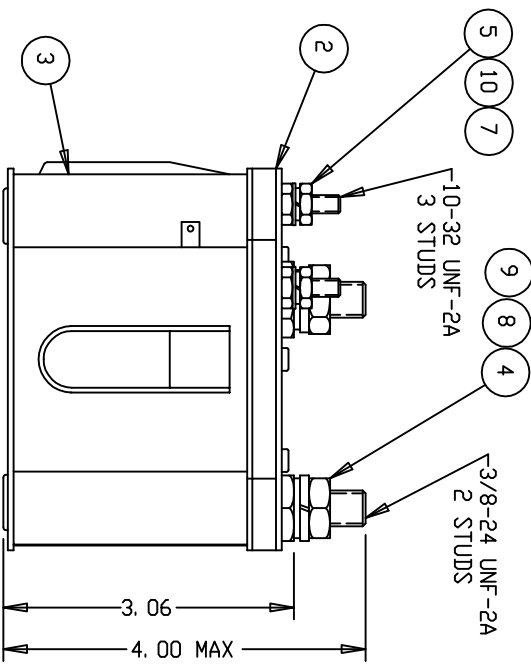
7.5 OHM +/- 20%
 80 OHM +/- 20%
 3 AMP MAX
 CONTINUOUS ECONOMIZING

AMBIENT TEMPERATURE
 LIFE ELECTRICAL
 WEIGHT

-55°C TO +71°C
 50,000 CYCLES MIN
 3 LBS., 10 OZ.



NOTES:
 1. DESIGNED TO MEET THE APPLICABLE PORTIONS OF MIL-C-5026 AND MIL-R-6106.
 2. MOUNTING SURFACE SHALL PROVIDE ELECTRICAL GROUND



QTY	PART DR	NAME	PLATE	INDENTIFYING NO	DR	DATE	BY	CHK	BY	DATE	ENG	DATE	APP	DATE
11	1	148336-001	WASHER - LOCK, NO. 10 SPLIT				RCB	04/03/31	CB	04/03/31	RSS	04/03/31		
10	3	51810-031	WASHER - LOCK 3/8 X .688 X .094 SPLIT				CB	04/03/31	CB	04/03/31	RSS	04/03/31		
9	2	51807-071	WASHER - 5/8 X .390 X .064				CB	04/03/31	CB	04/03/31	RSS	04/03/31		
8	2	51704-161	WASHER - 7/16 X 13/64 X .032				CB	04/03/31	CB	04/03/31	RSS	04/03/31		
7	3	51702-851	WASHER - 4 X 1/4 PAN HD. SHT. MTL.				CB	04/03/31	CB	04/03/31	RSS	04/03/31		
6	3	51200-020	SCREW - 4 X 1/4 PAN HD. SHT. MTL.				CB	04/03/31	CB	04/03/31	RSS	04/03/31		
5	3	50410-086	NUT - 10-32 X 3/8 X 1/8 HEX.				CB	04/03/31	CB	04/03/31	RSS	04/03/31		
4	2	50407-166	NUT - 3/8-24 X 5/8 X 7/32 HEX.				CB	04/03/31	CB	04/03/31	RSS	04/03/31		
3	1	33491-010	PRIMARY ASSEMBLY				CB	04/03/31	CB	04/03/31	RSS	04/03/31		
2	1	33254-003	PLATE - BASE COVER				CB	04/03/31	CB	04/03/31	RSS	04/03/31		
1	1	16043-001	PLATE - NAME				CB	04/03/31	CB	04/03/31	RSS	04/03/31		

THE **Electronics**

120 HortonTM Drive, con-175 N. Diamond Street, Mansfield, Ohio 44902

CUTOUT-REVERSE CURRENT
 400 AMP - 28VDC

SIZE
 C 74063

SCALE NONE SHEET

REF TE P/N 1-1616941-2