

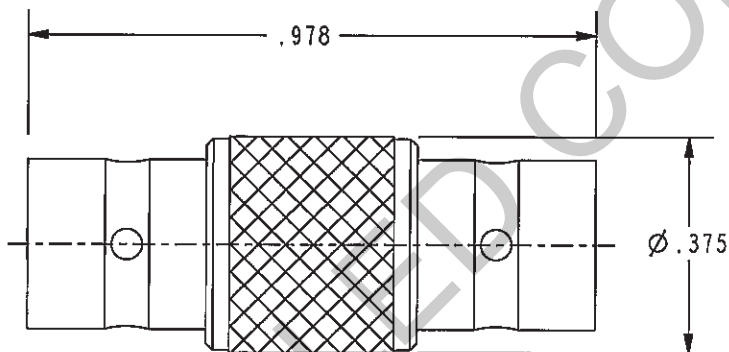
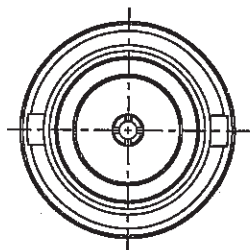
DATA CONTAINED IN THIS DOCUMENT IS PROPRIETARY TO TROMPETER ELECTRONICS INC. AND SHALL NOT BE DISCLOSED, COPIED OR USED FOR PROCUREMENT OR MANUFACTURE WITHOUT EXPRESS WRITTEN PERMISSION.

REVISIONS

REV	DESCRIPTIONS	DATE	APPROVED
A	PRODUCTION RELEASE	6/3/04	WJ



SCALE 1/1




RED INDICATES ORIGINAL

UNCONTROLLED COPY

2. 75 Ω WITHIN SERIES MINI BNC FEED THRU RECEPTACLE

1. FINISH: BODY ASSEMBLY: TFS-1A (NICKEL)
CONTACT: TFS-1B (GOLD)

NOTES: UNLESS OTHERWISE SPECIFIED.

INTERPRET DRAWING PER MIL-STD-100. DIMENSIONS ARE IN INCHES AND INCLUDE FINISH THICKNESS UNLESS OTHERWISE SPECIFIED.		TOL: UNLESS SPECIFIED. .XX ± .02 .XXX ± .010 ANGLE ± 1°		 a cinch connectivity solutions brand			
DRN	AAH 5-24-04	MATERIAL:	TITLE:				
CHR	JS/Mash 6/1/04	FINISH:	UAD258	SIZE	CAGE CODE	DRAWING NO.	REV.
QUALITY	WJ 6/3/04			A	14949	1-0619	A
HAND	WJ 6/3/04	DO NOT SCALE DWG	SCALE	DATE	SHEET		
APPROVED	WJ 6/3/04		3/1	6/3/04	IC		
PROJ & BILL NO.	1-0619						
NEXT ASSY							