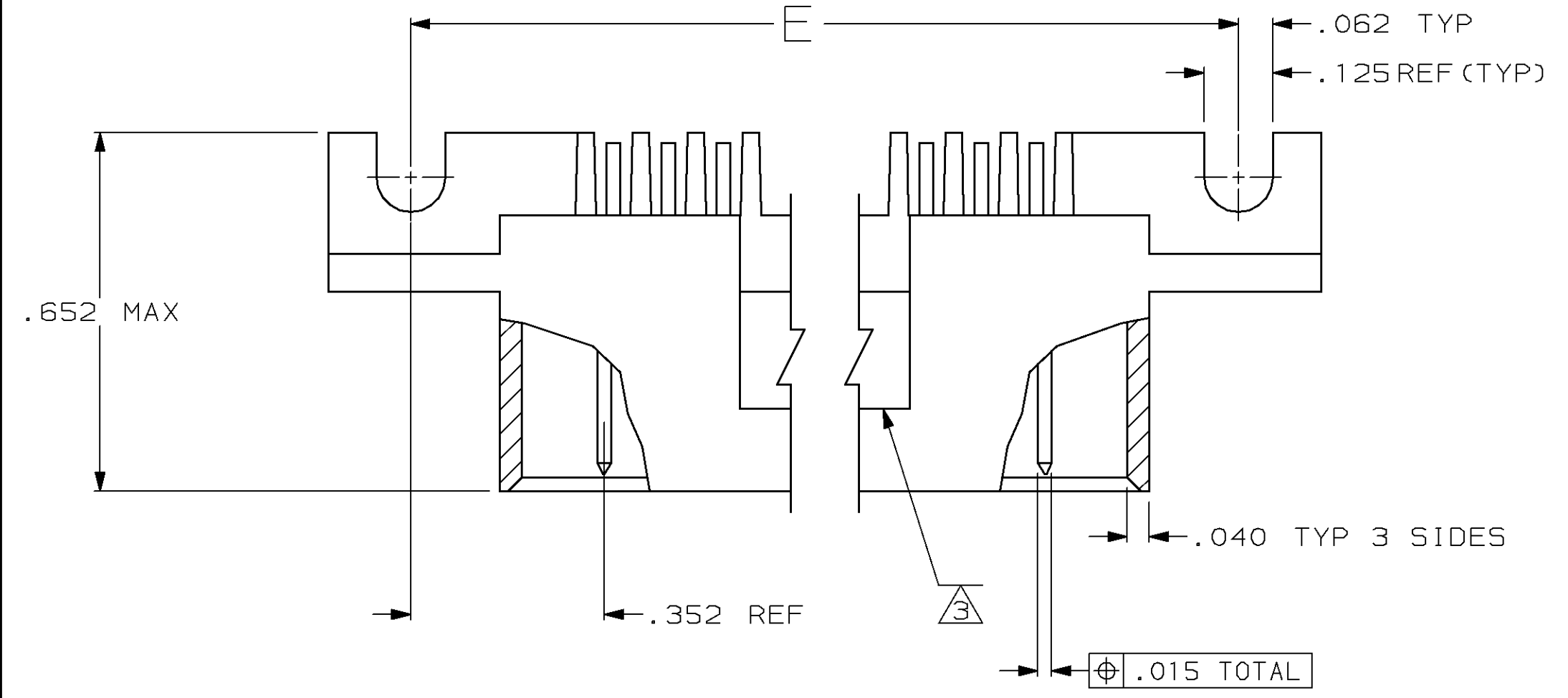


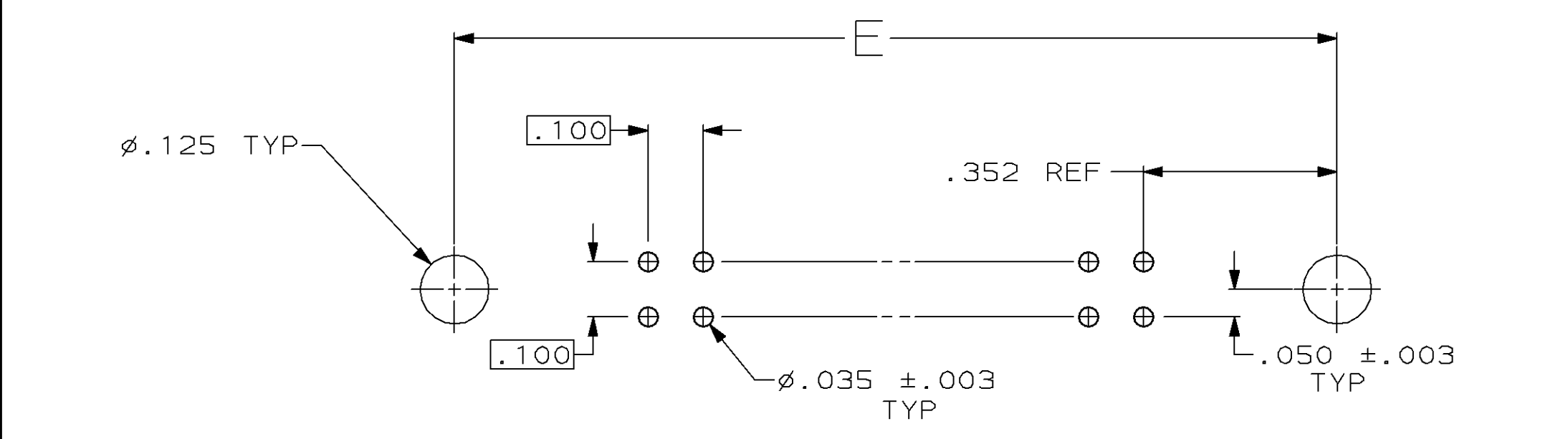
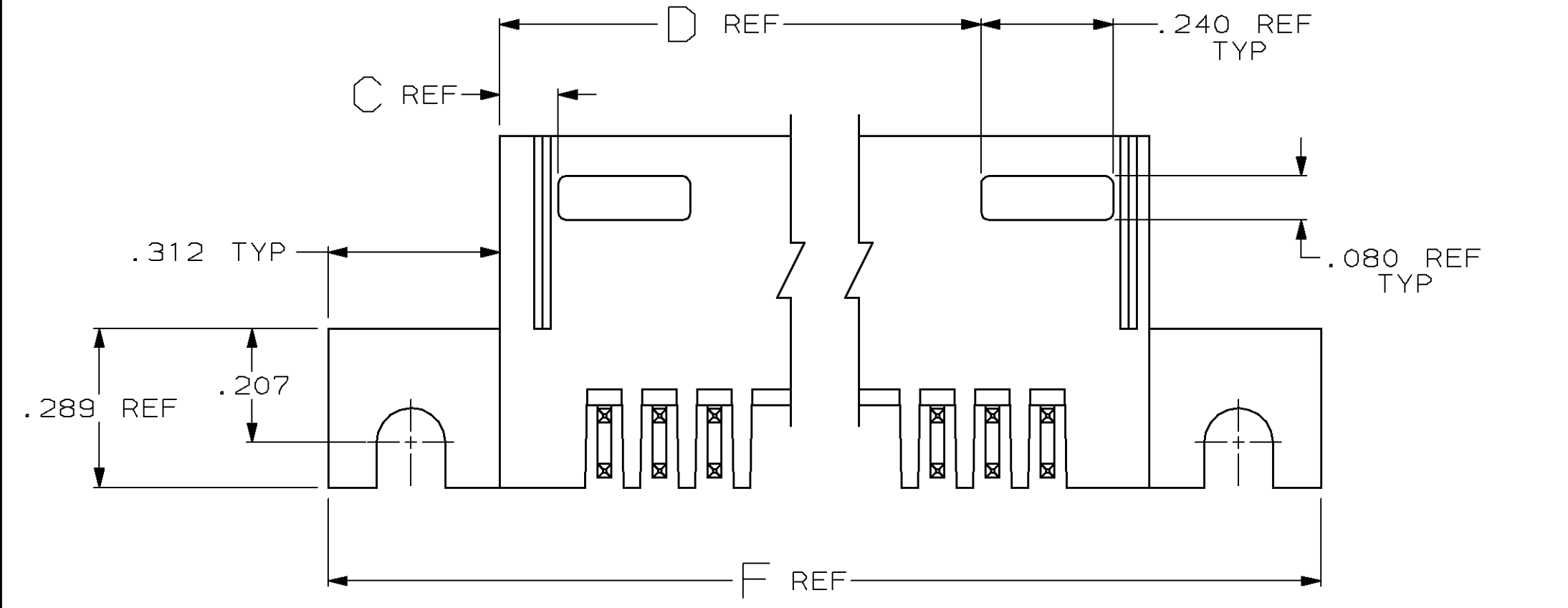
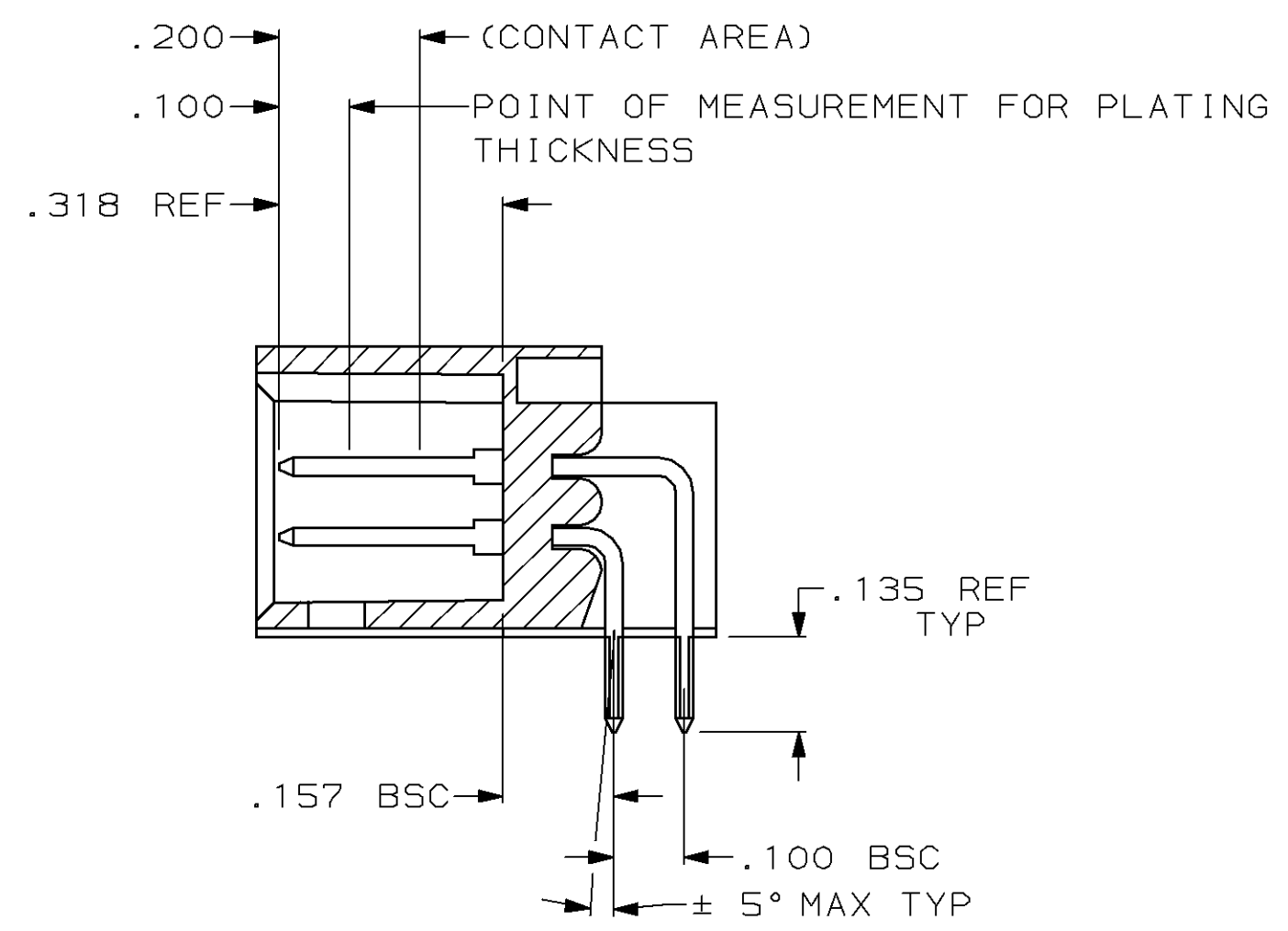
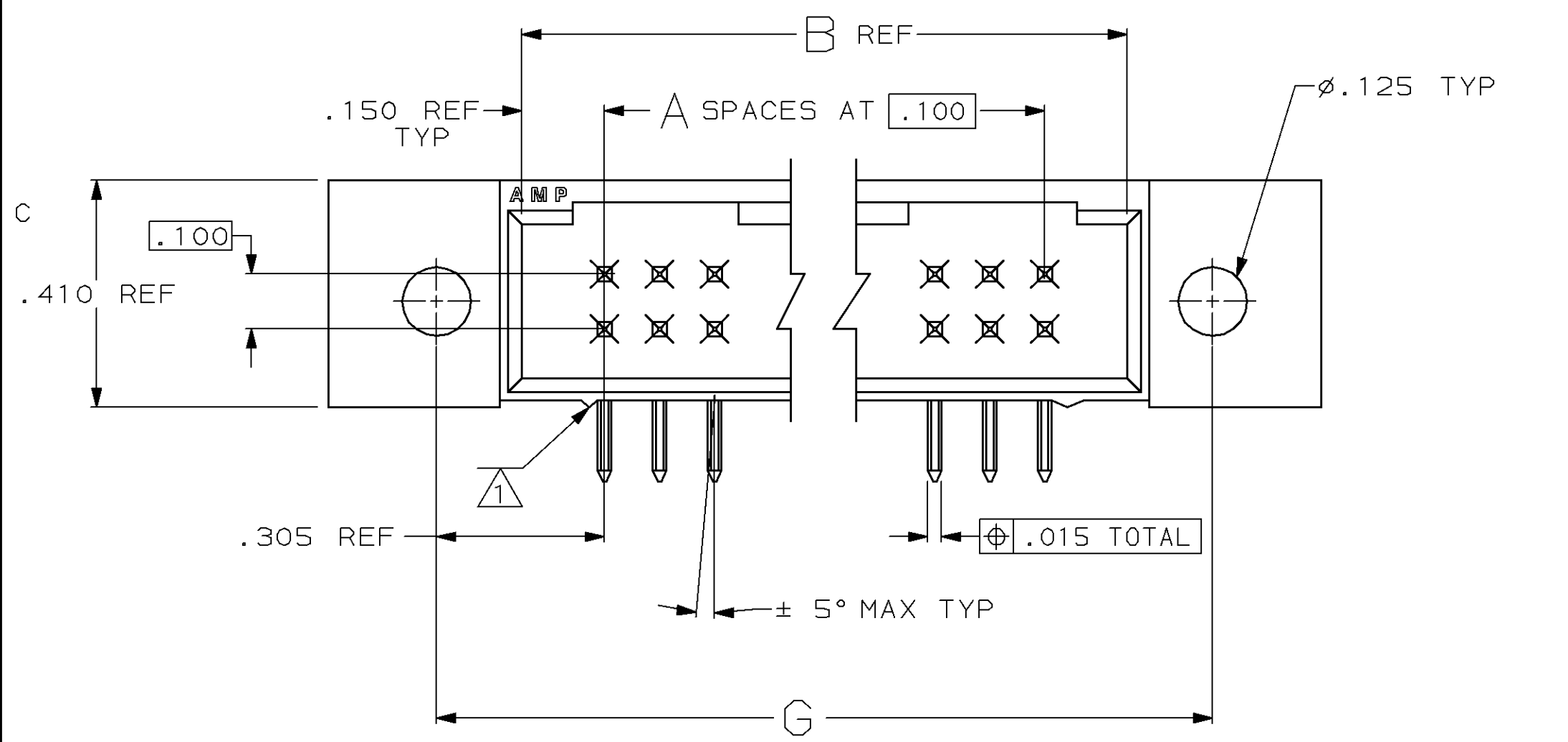
MOD	LOC	DIST	P	F	ZONE	LTR	DESCRIPTION	DATE	APPD
25	AD	39					REV/REDRAW PER ECN AR2699	10-11-88	-
							REV LOC & DIST AD-4171	3-90	BF
							ECN AD-4707	08/02/90	KIH
							REV PER AD-5084	1-31-91	-
							REV PER AD-5161	1-31-91	-
							REV PER 0310-0040-96	12-16-96	SAS
							REV PER 0010-0713-96	1-17-97	SAS



△ STANDOFFS: 10 THRU 18 POSN (2) REQ'D LOCATED AS SHOWN-OUTBOARD OF END CIRCUITS  
 20 THRU 38 POSN (3) REQ'D LOCATED OUTBOARD OF END CIRCUITS PLUS ONE CENTERED  
 40 THRU 60 POSN (4) REQ'D LOCATED OUTBOARD OF END CIRCUITS WITH TWO EVENLY SPACED  
 SPACED WITHIN REMAINING LENGTH

△ WILL ALSO MATE WITH OTHER CONNECTORS WHICH ARE COMPATIBLE WITH THE .150 END DIM AND  
 WILL MATE WITH MOD IV HAVING FOUR EXTRA EMPTY CIRCUITS (TWO EACH END --- EX. 20 POSN  
 HDR WILL MATE W/24 POSN MOD IV HSG)

△ ACCESS SLOT



RECOMMENDED HOLE LAYOUT

	G	F	E	D	C	B	A	NO OF POSN	ASSEMBLY PART NUMBER
OBsolete	3.510	3.904	3.604	2.890	.190	3.200	29	60	2-87672-6
OBsolete	3.410	3.804	3.504	2.790	.190	3.100	28	58	2-87672-5
OBsolete	3.310	3.704	3.404	2.690	.190	3.000	27	56	2-87672-4
OBsolete	3.210	3.604	3.304	2.590	.190	2.900	26	54	2-87672-3
OBsolete	3.110	3.504	3.204	2.490	.190	2.800	25	52	2-87672-2
OBsolete	3.010	3.404	3.104	2.390	.190	2.700	24	50	2-87672-1
OBsolete	2.910	3.304	3.004	2.290	.190	2.600	23	48	2-87672-0
OBsolete	2.810	3.204	2.904	2.190	.190	2.500	22	46	1-87672-9
OBsolete	2.710	3.104	2.804	2.090	.190	2.400	21	44	1-87672-8
OBsolete	2.610	3.004	2.704	1.990	.190	2.300	20	42	1-87672-7
OBsolete	2.510	2.904	2.604	1.890	.190	2.200	19	40	1-87672-6
OBsolete	2.410	2.804	2.504	1.790	.190	2.100	18	38	1-87672-5
OBsolete	2.310	2.704	2.404	1.690	.190	2.000	17	36	1-87672-4
OBsolete	2.210	2.604	2.304	1.590	.190	1.900	16	34	1-87672-3
OBsolete	2.110	2.504	2.204	1.490	.190	1.800	15	32	1-87672-2
OBsolete	2.010	2.404	2.104	1.390	.190	1.700	14	30	1-87672-1
OBsolete	1.910	2.304	2.004	1.290	.190	1.600	13	28	1-87672-0
OBsolete	1.810	2.204	1.904	1.190	.190	1.500	12	26	87672-9
	1.710	2.104	1.804	1.090	.190	1.400	11	24	87672-8
OBsolete	1.610	2.004	1.704	.990	.190	1.300	10	22	87672-7
OBsolete	1.510	1.904	1.604	.890	.190	1.200	9	20	87672-6
OBsolete	1.410	1.804	1.504		.490	1.100	8	18	87672-5
OBsolete	1.310	1.704	1.404		.390	1.000	7	16	87672-4
OBsolete	1.210	1.604	1.304		.390	.900	6	14	87672-3
OBsolete	1.110	1.504	1.204		.290	.800	5	12	87372-2
OBsolete	1.010	1.404	1.104		.290	.700	4	10	87672-1

UNLESS OTHERWISE SPECIFIED DIMENSIONS ARE IN INCHES TOLERANCES ON:	DR 10/11/89 KATE HELM	AMP INCORPORATED Harrisburg, Pa. 17105
2 PL DEC ± .005 3 PL DEC ± .005 ANGLES ±	CHK 10-25-89 R. ELICKER	
MATERIAL: HOUSING: FLAME RETARDANT THERMOPLASTIC, COLOR-BLACK	APPD 10-25-89 R. ELICKER	NAME HEADER ASSY, MOD II, DBL ROW, RIGHT ANGLE, .100X.100 WITH .025 SQ POSTS
POSTS: PHOS BRONZE FINISH: POSTS: .00030 GOLD IN CONTACT AREA, GOLD FLASH ON SOLDER AREA, ALL OVER .00050 MIN NICKEL ON ENTIRE POST.	APPD 10-25-89 FLINCHBAUGH	SIZE <b>D</b> FSCM NO 00779 DRAWING NO 87672
	APPLICATION SPEC	SCALE 4:1 SHEET 1 OF 1
	WEIGHT	CUSTOMER DRAWING