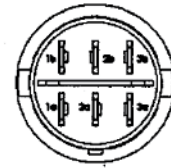
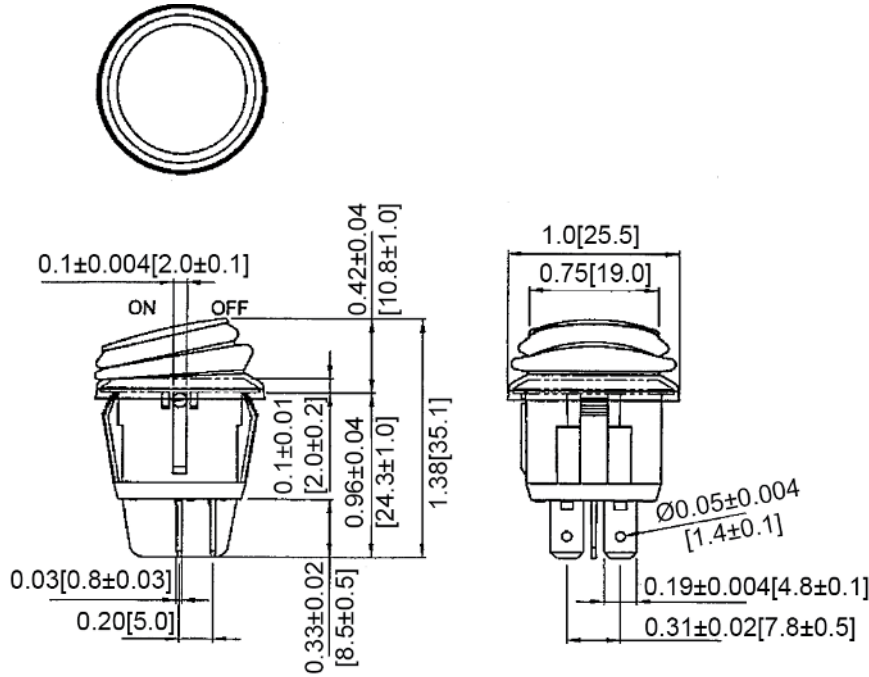
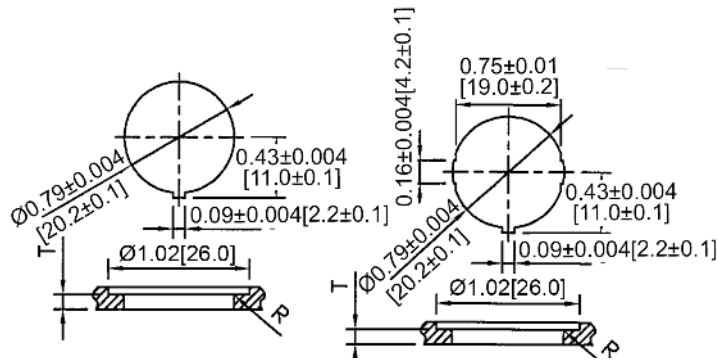


Mechanical Dimensions: Inches [mm]

Tolerances ± 0.012 [0.3] Unless Otherwise Specified



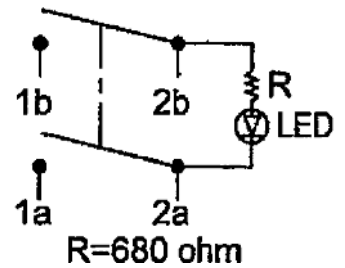
Mounting Hole



Thickness: $0.06 \sim 0.1$ [1.5 ~ 2.5] | $0.03 \sim 0.1$ [0.7 ~ 2.5]

Circuit Diagram

4P DPST OFF-ON (LED-D)



Electrical Specifications

Rating	10A 28V DC
Contact Resistance	50m ohm Max
Insulation Resistance	DC 500V 100M ohm Min
Dielectric Strength	AC 1500V 1 minute
Operation Temperature	-25°C ~ 85°C

Material Specifications

Frame	Black, Nylon#66 (94-V2)
Actuator	Blue, PC
LED	Blue (Dependent)
Waterproof	IP65

Rev	Date of issue	Revision Notes	Designed	Approved
B	07-13-2021	Initial Drawing	RC	OF