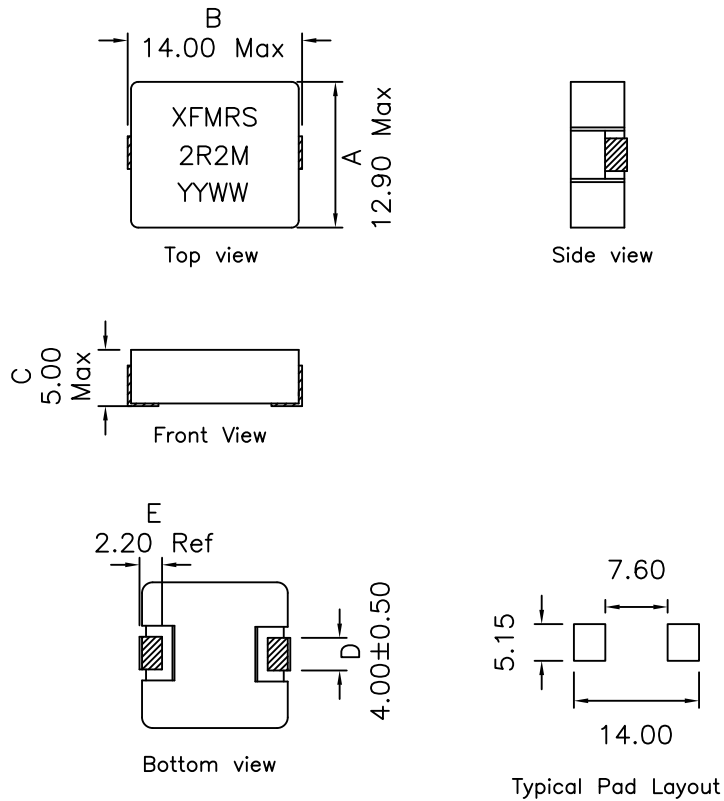
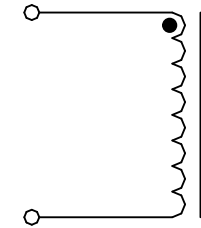


**1. Mechanical Dimensions:**



**2. Schematic:**



**3. Electrical Specifications: @25°C**

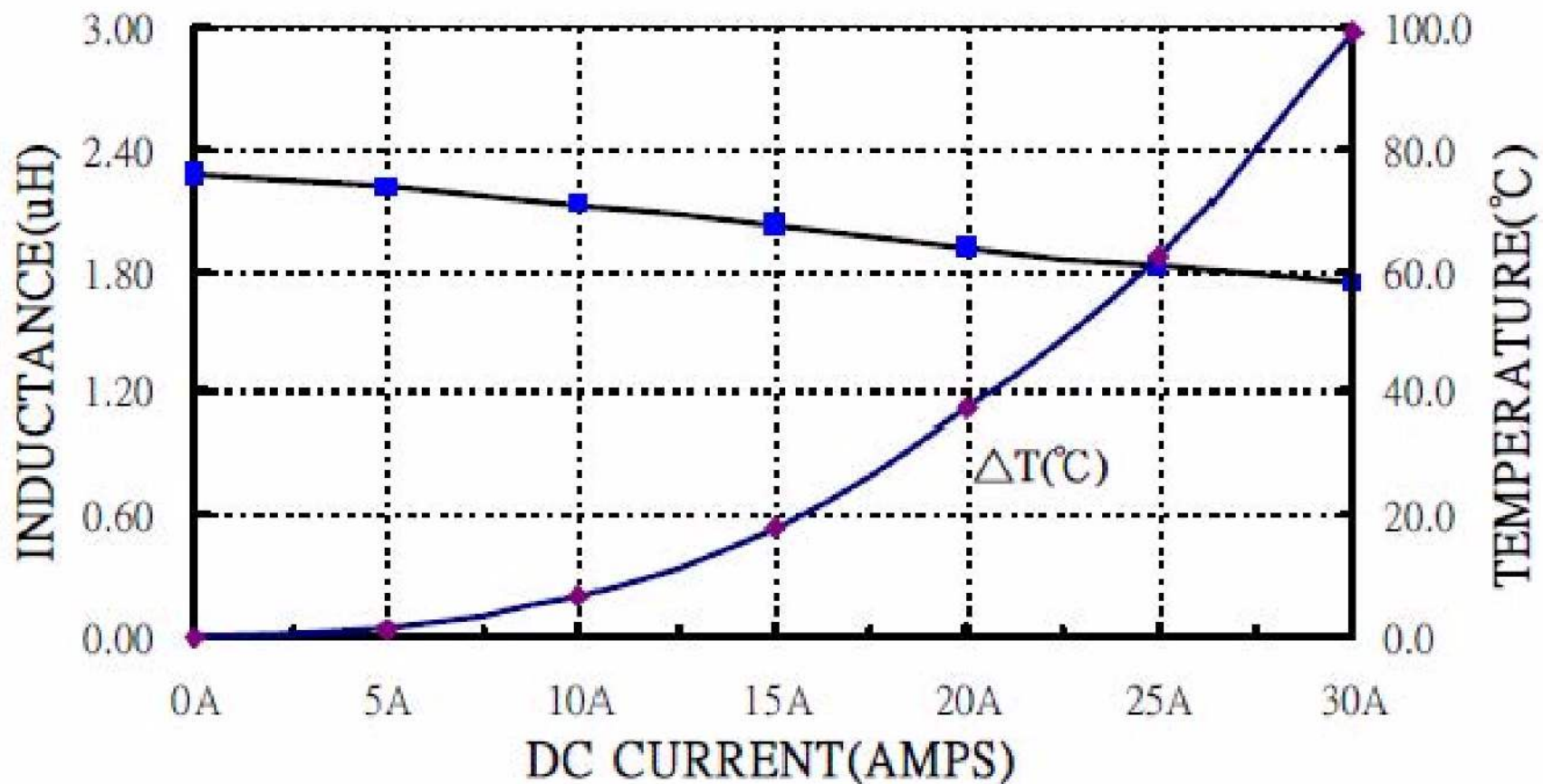
OCL: 2.2uH±20% @100KHz, 0.25V  
 Q: 15 Min @100KHz, 0.25V  
 DCR: 5.5 mOhms Max, 4.6 mOhms Typ  
 Irms: 20A (Based on 40°C Typ Temp Rise)  
 Isat: 32.0A (Based on 20% Typ drop in OCL)  
 SRF: 26MHz Typ

**Notes:**

1. Solderability: Leads shall meet MIL-STD-202G, Method 208H for solderability.
2. Flammability: UL94V-0
3. ASTM oxygen index: > 28%
4. Insulation System: Class F 155°C. UL file E151556
5. Operating Temperature Range: -55°C to +125°C
6. Storage Temperature Range: -55°C to +125°C
7. Aqueous wash compatible
8. SMD Lead Coplanarity: 0.004"(0.102mm)
9. Electrical and mechanical specifications 100% tested
10. RoHS Compliant Component
11. Recommended IR Reflow peak temp of 260°C Max.
12. Outsourced item processed & controlled under XFMRS QA system

DOC. REV: A/11

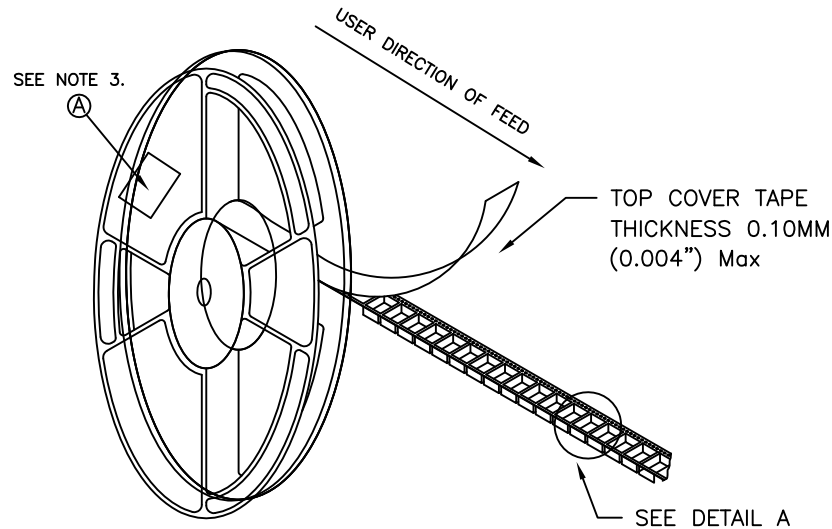
<b>XFMRS®</b> www.XFMRS.com	Title: <b>XFHCL4 SERIES INDUCTORS</b>			
	UNLESS OTHERWISE SPECIFIED	P/N: XFHCL4-2R2M	REV. A	
TOLERANCES: .xx ±0.25 Dimensions in MM	DWN.	Huo	May-21-19	
	APP.	YK Liao	May-21-19	
SHEET 1 OF 2	APP.	DDC	May-21-19	



DOC. REV: A/11

<b>XFMR5</b> <sup>®</sup> <a href="http://www.XFMRS.com">www.XFMRS.com</a>		Title: XFHCL4 SERIES INDUCTORS	
UNLESS OTHERWISE SPECIFIED TOLERANCES: .xx ±0.25 Dimensions in MM		P/N: XFHCL4-2R2M	REV. A
		DWN.	Huo May-21-19
		CHK.	YK Liao May-21-19
SHEET 2 OF 2		APP.	DDC May-21-19

# TAPE AND REEL SPECIFICATION:



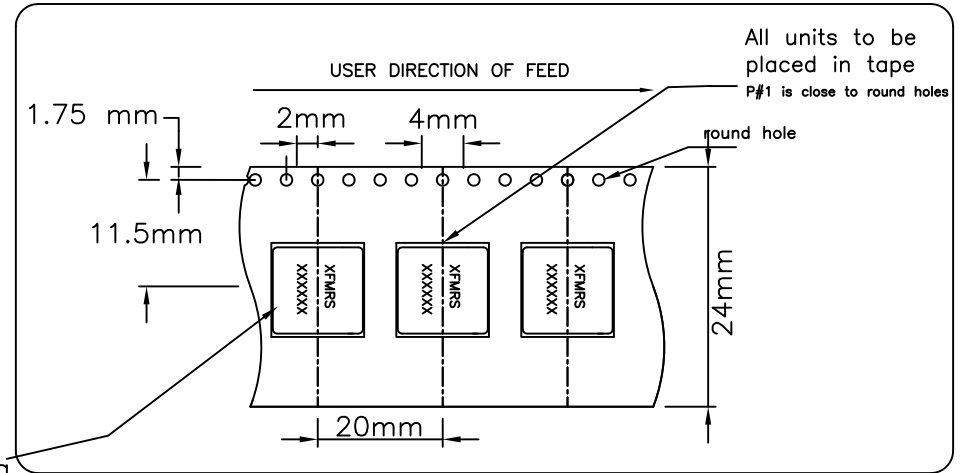
REEL AND TAPE ORIENTATION

13" REEL DIAMETER

## NOTES:

- 1) PROCESS IN ACCORDANCE WITH EIA-481-2 STANDARDS
  - \* TAPE LEADER DIMENSION 15.30" MIN.
  - \* TAPE TRAILER DIMENSION 6.30" MIN.
- 2) PARTS SHOULD BE PACKAGED IN ACCORDANCE WITH ESD GUIDELINES IN EIA-541.
- 3) REEL LABEL: 'A' \* PART NUMBER
  - \* QUANTITY
  - \* DATE CODE
- 4) 250pcs PER 13" REEL

## DETAIL A



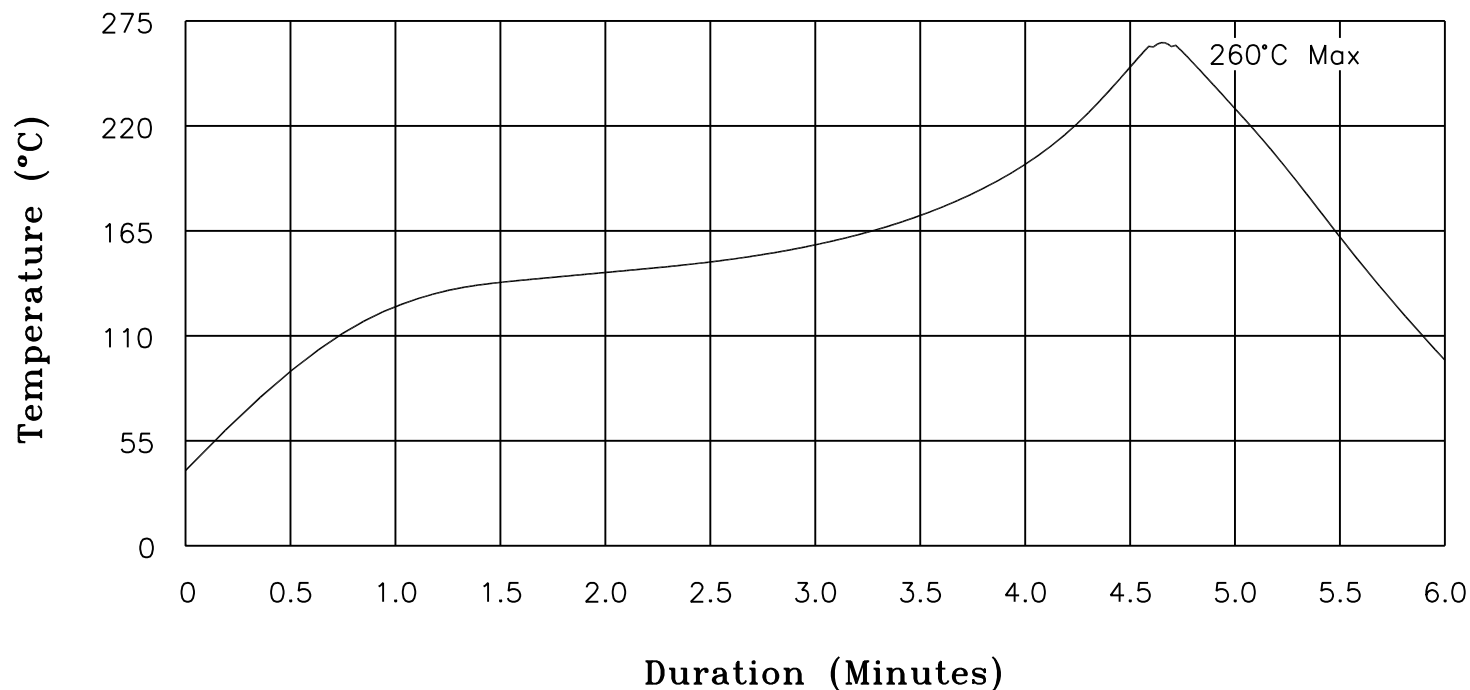
Details Marking  
Refer to the  
FG drawing

DOC REV: A/1

<b>XFMRS Inc</b> www.XFMRS.com	Title: T&R SPEC		
	UNLESS OTHERWISE SPECIFIED		P/N: XFHCL4 Series
TOLERANCES: .xxs ±0.15	DWN.	Kong	REV: A
Dimensions in mm	CHK.	YK Liao	Oct-02-17
SHT 1 OF 1	APP.	BW	Oct-02-17

# XFMRs

## Recommended Infrared Reflow Temperature Profile for RoHS Compliant Parts



NOTES: Maximum duration at 260°+0/-5° shall be 10-20 seconds.  
 Maximum duration above 217° shall be 60-150 seconds.  
 ALL Temperatures refer to topside of the package, measured on the package body surface.

<b>XFMRs Inc</b> www.XFMRs.com	Title: <b>IR REFLOW CHART</b> <b>(RoHS Compliant parts)</b>		
	UNLESS OTHERWISE SPECIFIED TOLERANCES: N/A		P/N: N/A REV. A
SHEET 1 OF 1	DWN.	Juan Mao	Jan-16-05
	CHK.	YK Liao	Jan-16-05
	APP.	MS	Jan-16-05

**PROPRIETARY** Document is the property of XFMRs Group & is not allowed to be duplicated without authorization.