

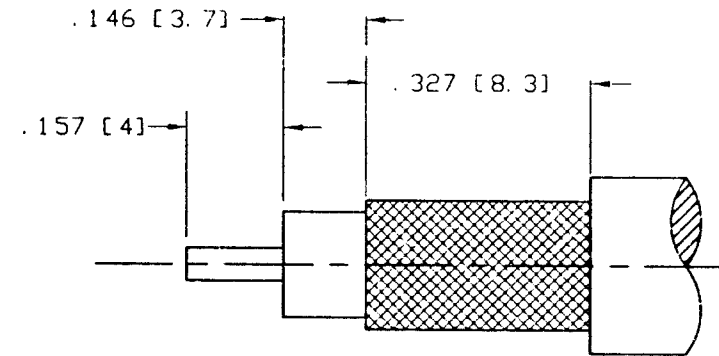
**NOTES:**

**1. MATERIALS OF CONSTRUCTION:**

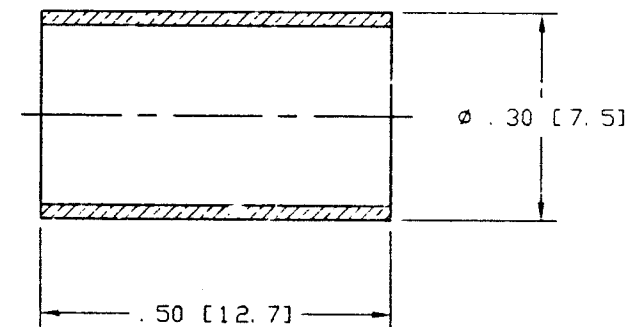
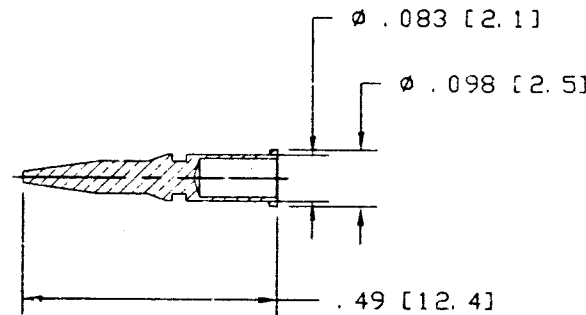
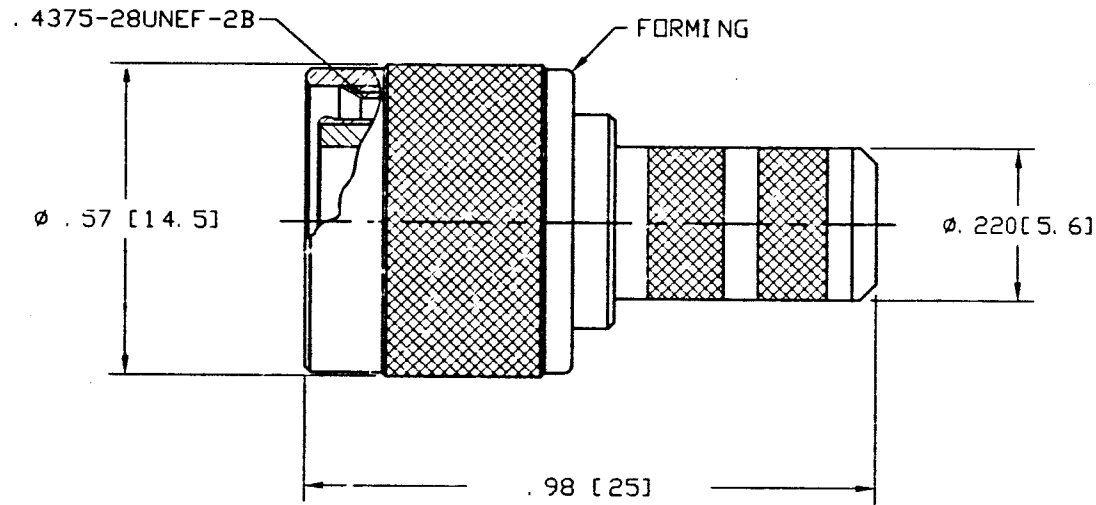
SHELL, RETAINER RING, BODY: BRASS PER QQ-B-626, NICKEL PLATED.  
 FERRULE: COPPER, NICKEL PLATED.  
 CONTACT PIN: BRASS PER QQ-B-626, GOLD PLATED.  
 WASHER: BRASS PER QQ-B-613, NICKEL PLATED.  
 RING: DELRIN, NATURAL.  
 GASKET: RUBBER, RED.  
 INSULATOR: TEFLON MIL-P-19468, NATURAL.

**2. DO NOT SCALE THIS DRAWING.**

31-6000-RFX		REVISIONS			
DRAWING NO	REV	DESCRIPTION	DATE	ECG	APP
THIRD ANGLE PROJ.	A	RELEASE TO MFG.	7/28/98	42549	T/V
	B	SEE SHEET 1	12/17/98	42779	CPM
	C	SEE SHEET 1	3/13/99	42889	CPM



RECOMMENDED  
CABLE STRIPPING DIM'S



CUSTOMER OUTLINE DRAWING

ENGLISH [METRIC]

UNLESS OTHERWISE SPECIFIED, DIMENSIONS ARE IN INCHES AND TOLERANCES ARE: 2 PLACE DECIMAL ±.015 (0.381 mm)    3 PLACE DECIMAL ±.005 (0.127 mm)    ANGLES ± 1°	MATERIAL	DRAWN T. VERHOEVEN    DATE 6/23/98	TITLE TNC CRIMP PLUG (FOR BELDEN RG-8/X, TIMES LMR-240MA)	Amphenol Amphenol Corporation RF/Microwave Operations Danbury, Conn. U.S.A. 06811	
	REFERENCE EAR# 967004-0	ENGINEER T. AUBIN    DATE 7/22/98			APPROVED T. AUBIN    DATE 7/22/98
NOTICE - These drawings, specifications, or other data (1) are, and remain the property of Amphenol Corp. (2) must be returned upon request; and (3) are confidential and not to be disclosed to any person other than those to whom they are given by Amphenol Corp. The furnishing of these drawings, specifications, or other data by Amphenol Corp., or to any other person for any purpose is not to be regarded as an implication or otherwise in any manner licensing, granting rights, or permitting such holder or any other person to manufacture, use or sell any product, process or design, patented or otherwise, that may in any way be related to or disclosed by said drawings, specifications, or other data.	CAD FILE H:\DEPT611\BNC\031\ASSY\6000\RFXSH2	CODE ID 74868	DWG SIZE B	DRAWING NO 31-6000-RFX	SCALE 1:1    SHEET 2 OF 2