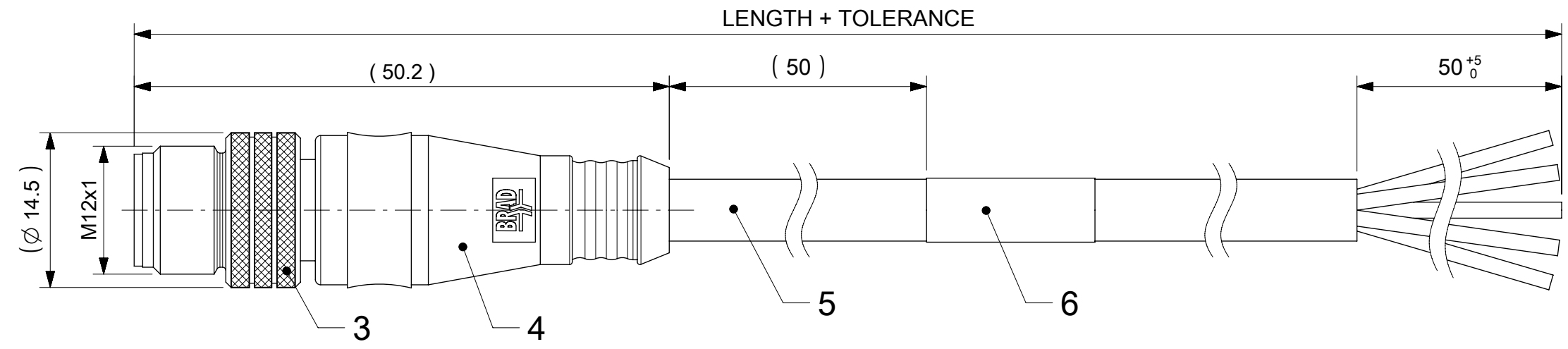
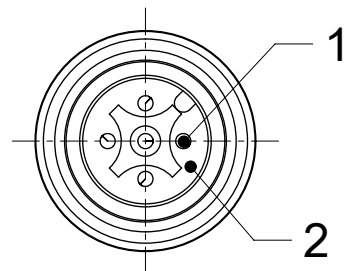


MALE PLUG M12 STRAIGHT



NOTES:

RATED VOLTAGE: 3, 4 contacts 250V

5 contacts 60V

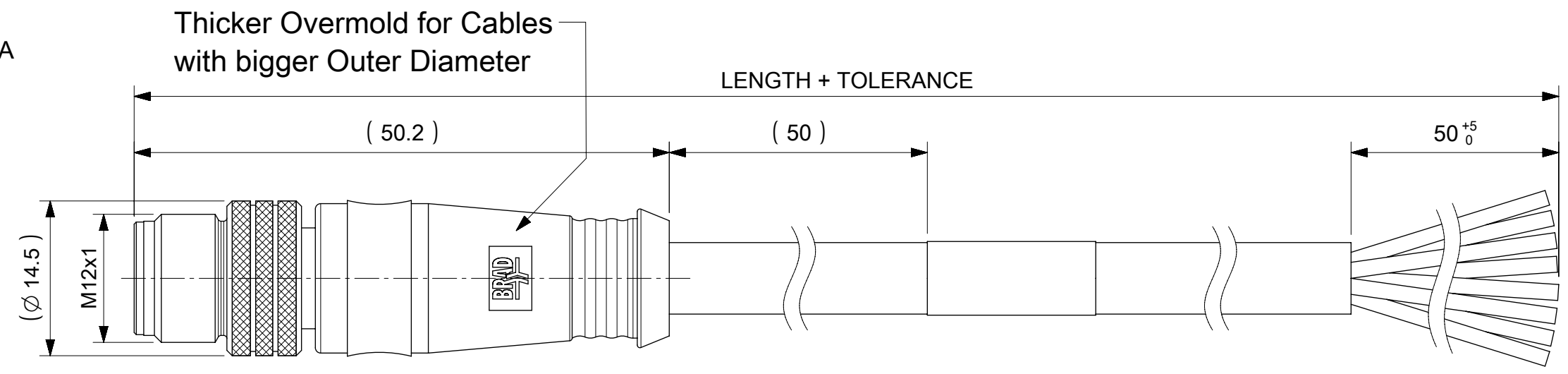
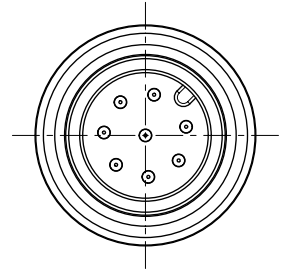
8 contacts 30V

RATED CURRENT: 3, 4, 5 contacts 4A

8 contacts 2A

PROTECTION CLASS: IP 67

TEMPERATURE: -25°C / +85°C



CONTACTS POSITION FRONT VIEW:

| 3 CONTACTS | | 4 CONTACTS | | 5 CONTACTS | | 8 CONTACTS | |
|------------|-------|------------|-------|------------|----------------------|------------|--------|
| | | | | | | | |
| PIN | WIRE | PIN | WIRE | PIN | WIRE | PIN | WIRE |
| 1 | BROWN | 1 | BROWN | 1 | BROWN | 1 | WHITE |
| 2 | --- | 2 | WHITE | 2 | WHITE | 2 | BROWN |
| 3 | BLUE | 3 | BLUE | 3 | BLUE | 3 | GREEN |
| 4 | BLACK | 4 | BLACK | 4 | BLACK | 4 | YELLOW |
| 5 | --- | 5 | --- | 5 | GREY OR GREEN/YELLOW | 5 | GREY |
| | | | | | | 6 | PINK |
| | | | | | | 7 | BLUE |
| | | | | | | 8 | RED |

CODING REQUIRED TO IEC 61076-2-101

FOR OPTIONS SEE - NUMERICAL CODE - ON SHEET 2

| | | | | |
|------|---------------|-------------------|-------------|----------------------|
| 7 | SEE MATRIX | D CARRIER | PVC | TRANSPARENT |
| 6 | 1 | LABEL YELLOW | VINYL | --- |
| 5 | - | CABLE | SEE SHEET 2 | --- |
| 4 | - | OVERMOLDING BLACK | TPU | --- |
| 3 | 1 | COUPLING NUT MALE | BRASS | NICKEL |
| 2 | 1 | INSERT MALE BLACK | PUR | --- |
| 1 | 3 / 4 / 5 / 8 | CONTACT M12 MALE | BRASS | SELECTIVE Au OVER Ni |
| ITEM | QTY. | DESCRIPTION | MATERIAL | FINISH |

THIS DRAWING CONTAINS INFORMATION THAT IS PROPRIETARY TO MOLEX ELECTRONIC TECHNOLOGIES, LLC AND SHOULD NOT BE USED WITHOUT WRITTEN PERMISSION

DIMENSION UNITS: mm SCALE: 2:1

GENERAL TOLERANCES (UNLESS SPECIFIED): ANGULAR TOL ± 1.0°

4 PLACES ± 0.15
3 PLACES ± 0.10
2 PLACES ± 0.05
1 PLACE ± 0.3
0 PLACES ± 0.5

DRAFT WHERE APPLICABLE MUST REMAIN WITHIN DIMENSIONS

THIRD ANGLE PROJECTION

DRAWING: A3-SIZE

SERIES: 120065

MATERIAL NUMBER: SEE TABLE

CUSTOMER: GENERAL MARKET

SHEET NUMBER: 1 OF 4

EC NO: 732259
DRWN: SANTHN 2022/12/20
CHK'D: GGA 2022/12/21
APPR: GGA 2022/12/21

INITIAL REVISION:
DRWN: JMARSZALEK 2016/01/12
APPR: RSILLER 2016/04/08

DOCUMENT NUMBER: 1200659185

DOC TYPE: PSD

DOC PART: 000

REVISION: A11

molex

CSE M12 XP AC MA STR XM SE UNSH

PRODUCT CUSTOMER DRAWING

ENGINEERING NO. - NUMERICAL CODE (Available parts see PART LIST table. Others on request).

8 0 X 0 0 6 X X X X X X X X

OPTIONS

80=M12x1 Single ended

Contacts:
3=3 Contacts
4=4 Contacts
5=5 Contacts
8=8 Contacts

Heads style:
006=Plug Male Straight

Cable type: See Table

Units:
M=Meter

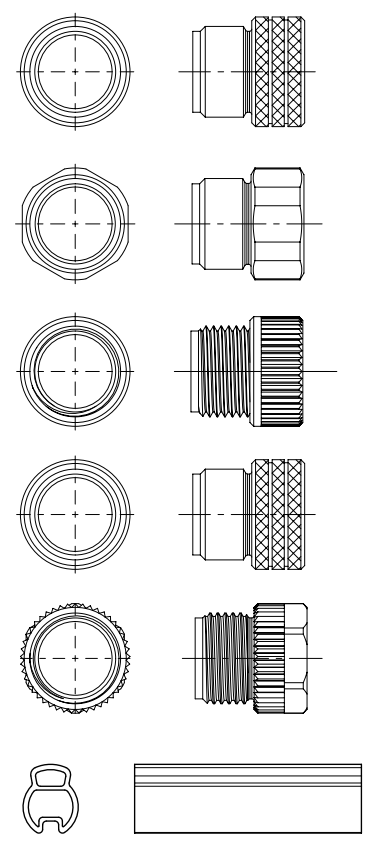
Length
Examples:
005=0.5 unit
010=1 unit
100=10 units

Overmold color:
Blank (Standard)=Black
A=Grey / G=Black / Y=Yellow
For Cable A09=Yellow

Coupling Nut:
Blank (Standard) & 3=Knurled Brass Ni Plated
1 or 8=Hexagonal Stainless steel
5=Knurled Derlin
7=Knurled Brass Ni Plated, Teflon Coated
Blank=7 for cables I20, I26, K03, K05, P82, S26
9=Knurled / Hexagonal Brass Ni Plated

H= 2 pcs. of I/D Carrier PVC Transparent

COUPLING NUTS

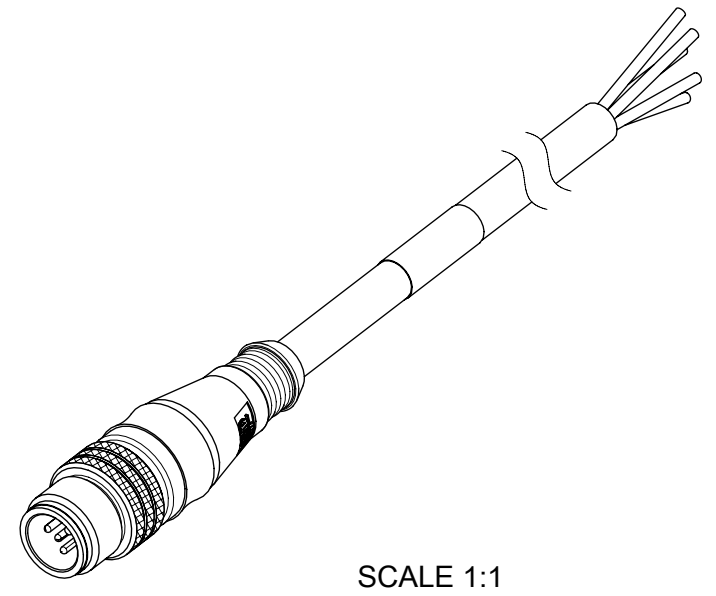


CABLE INFORMATION (for more information see Cable Data Sheet).

| CABLE TYPE | NO. OF WIRES | CROSS SECTION | CABLE JACKET | UL | CSA | STATIC: TEMP. / BENDING RADIUS | DYNAMIC: TEMP. / BENDING RADIUS | DRAG CHAIN | SHIELD |
|------------|---------------|---------------------|-----------------|----------------|--------------------------|--------------------------------|---------------------------------|---|--------|
| E02 | 3 / 4 / 5 / 8 | 0.25mm ² | PVC BLACK | UL 2464/1729 | C22.2 I/II A/B 80°C/300V | -30°C to +80°C, 10xO.D. | -10°C to +80°C, 15xO.D. | - | - |
| E03 | 3 / 4 / 5 | 0.34mm ² | PVC BLACK | UL 2464/1729 | C22.2 I/II A/B 80°C/300V | -30°C to +80°C, 10xO.D. | -10°C to +80°C, 15xO.D. | - | - |
| H08 | 3 / 4 / 5 / 8 | 0.25mm ² | PUR BLACK LS0H | UL 21198/10493 | C22.2 I/II A/B 80°C/300V | -40°C to +80°C, 5xO.D. | -25°C to +80°C, 10xO.D. | 2 000 000 cycles at 20°C, Temp. range +5°C to +60°C | - |
| H09 | 3 / 4 / 5 | 0.34mm ² | PUR BLACK LS0H | UL 21198/10493 | C22.2 I/II A/B 80°C/300V | -40°C to +80°C, 5xO.D. | -25°C to +80°C, 10xO.D. | 2 000 000 cycles at 20°C, Temp. range +5°C to +60°C | - |
| P02 | 3 / 4 / 5 / 8 | 0.25mm ² | PUR / PVC BLACK | - | - | -30°C to +80°C, 7xO.D. | -5°C to +80°C, 15xO.D. | - | - |
| P03 | 3 / 4 / 5 | 0.34mm ² | PUR / PVC BLACK | - | - | -30°C to +80°C, 7xO.D. | -5°C to +80°C, 15xO.D. | - | - |
| A09 | 3 | 0.34mm ² | PVC YELLOW | - | - | - | - | - | - |
| K03 | 5 | 0.82mm ² | TPE YELLOW | - | - | - | - | - | - |
| K05 | 4 | 0.38mm ² | TPE YELLOW | - | - | - | - | - | - |

CABLE LENGTH TOLERANCES

| OVER | UP TO AND INCLUDING | TOLERANCES |
|---------|---------------------|------------------------|
| 0 | 305mm | +19mm |
| 305mm | 915mm | +45mm |
| 915mm | 1830mm | +56mm |
| 1830mm | 3660mm | +89mm |
| 3660mm | 7320mm | +165mm |
| 7320mm | 14640mm | +317mm |
| 14640mm | 30500mm | +610mm |
| 30500mm | > | +2% of finished length |



THIS DRAWING CONTAINS INFORMATION THAT IS PROPRIETARY TO MOLEX ELECTRONIC TECHNOLOGIES, LLC AND SHOULD NOT BE USED WITHOUT WRITTEN PERMISSION


| | | | | | |
|--|---------|---|---------------------------------------|--|--|
| DIMENSION UNITS | SCALE | CURRENT REV DESC: REMOVED OBSOLETE PART NUMBER AS PER PCN#512871. | molex | | |
| mm | 1:1 | | | | |
| GENERAL TOLERANCES (UNLESS SPECIFIED) | | | CSE M12 XP AC MA STR XM SE UNSH | | |
| ANGULAR TOL | ± 1.0 ° | | PRODUCT CUSTOMER DRAWING | | |
| 4 PLACES | ± | EC NO: 732259 | DOCUMENT NUMBER | | |
| 3 PLACES | ± | DRWN: SANTHN 2022/12/20 | 1200659185 | | |
| 2 PLACES | ± 0.05 | CHK'D: GGA 2022/12/21 | DOC TYPE DOC PART REVISION | | |
| 1 PLACE | ± 0.3 | APPR: GGA 2022/12/21 | PSD 000 A11 | | |
| 0 PLACES | ± 0.5 | INITIAL REVISION: | MATERIAL NUMBER CUSTOMER SHEET NUMBER | | |
| DRAFT WHERE APPLICABLE MUST REMAIN WITHIN DIMENSIONS | | DRWN: JMARSZALEK 2016/01/12 | SEE TABLE GENERAL MARKET 2 OF 4 | | |
| THIRD ANGLE PROJECTION | | APPR: RSILLER 2016/04/08 | A3-SIZE 120065 | | |

PART LIST

| No. | Part No. | Engineering No. | Cable Length | No. | Part No. | Engineering No. | Cable Length | No. | Part No. | Engineering No. | Cable Length | No. | Part No. | Engineering No. | Cable Length |
|-----|------------|-----------------|--------------|-----|------------|-----------------|--------------|-----|------------|-----------------|--------------|-----|------------|-----------------|--------------|
| 1 | 1200060046 | 804006E03M120 | 12m | 36 | 1200062596 | 805006E03M003 | 0.3m | 71 | 1200652158 | 805006P03M100 | 10m | 106 | 1200658731 | 804006H09M040 | 4m |
| 2 | 1200060047 | 804006P03M050 | 5m | 37 | 1200062631 | 805006P03M120 | 12m | 72 | 1200655011 | 805006P03M005 | 0.5m | 107 | 1200658732 | 804006H09M050 | 5m |
| 3 | 1200060240 | 803006E03M020 | 2m | 38 | 1200062799 | 805006E03M010 | 1m | 73 | 1200655051 | 805006E03M006 | 0.6m | 108 | 1200658733 | 804006H09M100 | 10m |
| 4 | 1200060241 | 803006E03M050 | 5m | 39 | 1200062830 | 804006E03M0205 | 2m | 74 | 1200658055 | 803006P03M003 | 0.3m | 109 | 1200658741 | 805006H09M010 | 1m |
| 5 | 1200060242 | 803006E03M100 | 10m | 40 | 1200062877 | 804006E03M0505 | 5m | 75 | 1200658092 | 805006P03M010 | 1m | 110 | 1200658742 | 805006H09M015 | 1.5m |
| 6 | 1200060256 | 803006P03M002 | 0.2m | 41 | 1200062920 | 804006E03M1005 | 10m | 76 | 1200658109 | 808006P02M003 | 0.3m | 111 | 1200658743 | 805006H09M020 | 2m |
| 7 | 1200060257 | 803006P03M020 | 2m | 42 | 1200063018 | 803006P03M0303 | 3m | 77 | 1200658209 | 805006E03M0061 | * 0.6m | 112 | 1200658744 | 805006H09M030 | 3m |
| 8 | 1200060260 | 803006P03M030 | 3m | 43 | 1200063077 | 804006E02M005 | 0.5m | 78 | 1200658247 | 803006H09M100 | 10m | 113 | 1200658745 | 805006H09M040 | 4m |
| 9 | 1200060261 | 803006P03M050 | 5m | 44 | 1200063470 | 804006E03M010H | 1m | 79 | 1200658248 | 803006H09M050 | 5m | 114 | 1200658746 | 805006H09M050 | 5m |
| 10 | 1200060558 | 804006E03M006 | 0.6m | 45 | 1200063472 | 804006P03M200 | 20m | 80 | 1200658463 | 804006P03M150 | 15m | 115 | 1200658747 | 805006H09M100 | 10m |
| 11 | 1200060559 | 804006E03M010 | 1m | 46 | 1200063731 | 805006P03M0065 | 0.6m | 81 | 1200658500 | 805006E03M1001 | 10m | 116 | 1200658784 | 804006E03M0101H | 1m |
| 12 | 1200060560 | 804006E03M020 | 2m | 47 | 1200063732 | 804006E03M0501 | 5m | 82 | 1200658518 | 804006E03M0201H | 2m | 117 | 1200658785 | 804006E03M1001H | 10m |
| 13 | 1200060561 | 804006E03M030 | 3m | 48 | 1200063733 | 804006E03M1001 | * 10m | 83 | 1200658519 | 804006E03M0501H | 5m | 118 | 1200658876 | 804006E03M150 | 15m |
| 14 | 1200060562 | 804006E03M050 | 5m | 49 | 1200063856 | 804006E03M1501 | * 15m | 84 | 1200658526 | 803006E03M005 | 0.5m | 119 | 1200658881 | 803006E03M050G | 5m |
| 15 | 1200060563 | 804006E03M100 | 10m | 50 | 1200063941 | 804006P03M0401 | 4m | 85 | 1200658542 | 804006E03M070 | 7m | 120 | 1200658888 | 804006E03M020H | 2m |
| 16 | 1200060570 | 804006P03M020 | 2m | 51 | 1200063953 | 805006E03M035 | 3.5m | 86 | 1200658546 | 808006E02M050 | 5m | 121 | 1200658890 | 804006H09M003 | 0.3m |
| 17 | 1200060571 | 804006P03M030 | 3m | 52 | 1200063969 | 804006E03M2001 | ** 20m | 87 | 1200658565 | 803006E03M010 | 1m | 122 | 1200658892 | 803006H09M003 | 0.3m |
| 18 | 1200060572 | 804006P03M100 | 10m | 53 | 1200064160 | 803006P03M005 | 0.5m | 88 | 1200658566 | 803006E03M040 | 4m | 123 | 1200658893 | 804006E03M050H | 5m |
| 19 | 1200060667 | 805006E03M020 | 2m | 54 | 1200064231 | 804006E03M2501 | * 25m | 89 | 1200658571 | 804006E03M040 | 4m | 124 | 1200658895 | 804006H09M200 | 20m |
| 20 | 1200060668 | 805006E03M030 | 3m | 55 | 1200064240 | 804006P03M070 | 7m | 90 | 1200658576 | 808006E02M010 | 1m | 125 | 1200658897 | 805006E03M200 | 20m |
| 21 | 1200060680 | 805006P03M020 | 2m | 56 | 1200064251 | 804006E03M003 | 0.3m | 91 | 1200658612 | 803006P03M040 | 4m | 126 | 1200658913 | 805006P03M030 | 3m |
| 22 | 1200060682 | 805006P03M050 | 5m | 57 | 1200064252 | 804006E03M005 | 0.5m | 92 | 1200658613 | 803006P03M100 | 10m | 127 | 1200659034 | 804006E02M050 | 5m |
| 23 | 1200061345 | 805006E03M050 | 5m | 58 | 1200064261 | 804006P03M011 | 1.1m | 93 | 1200658653 | 803006H09M010 | 1m | 128 | 1200659036 | 804006E02M070 | 7m |
| 24 | 1200061611 | 803006E03M150 | 15m | 59 | 1200064347 | 804006P03M007 | 0.7m | 94 | 1200658654 | 803006H09M015 | 1.5m | 129 | 1200659037 | 804006E02M100 | 10m |
| 25 | 1200061633 | 804006P03M010 | 1m | 60 | 1200064353 | 803006E03M003 | 0.3m | 95 | 1200658655 | 803006H09M020 | 2m | 130 | 1200659041 | 808006E02M005 | 0.5m |
| 26 | 1200061853 | 803006P03M010 | 1m | 61 | 1200064393 | 804006P03M020G | 2m | 96 | 1200658656 | 803006H09M030 | 3m | 131 | 1200659109 | 804006E02M020 | 2m |
| 27 | 1200061855 | 804006P03M006 | 0.6m | 62 | 1200064464 | 803006P03M005G | 0.5m | 97 | 1200658657 | 803006H09M040 | 4m | 132 | 1200659111 | 803006E02M050 | 5m |
| 28 | 1200062017 | 803006E03M030 | 3m | 63 | 1200065002 | 805006P03M0201 | 2m | 98 | 1200658659 | 808006H08M015 | 1.5m | 133 | 1200659141 | 805006H09M200 | 20m |
| 29 | 1200062082 | 805006P03M060 | 6m | 64 | 1200650964 | 808006P02M020 | 2m | 99 | 1200658660 | 808006H08M020 | 2m | 134 | 1200659142 | 805006H09M300 | 30m |
| 30 | 1200062122 | 804006E03M0201 | * 2m | 65 | 1200650967 | 808006P02M040 | 4m | 100 | 1200658661 | 808006H08M030 | 3m | 135 | 1200659145 | 805006E03M300 | 30m |
| 31 | 1200062209 | 805006E03M100 | 10m | 66 | 1200650968 | 808006P02M050 | 5m | 101 | 1200658663 | 808006H08M050 | 5m | 136 | 1200659149 | 805006H09M005 | 0.5m |
| 32 | 1200062351 | 803006E03M0505 | 5m | 67 | 1200650969 | 808006P02M100 | 10m | 102 | 1200658727 | 804006H09M010 | 1m | 137 | 1200659154 | 804006P03M100Y | 10m |
| 33 | 1200062352 | 803006E03M1005 | 10m | 68 | 1200651763 | 808006P02M030 | 3m | 103 | 1200658728 | 804006H09M015 | 1.5m | 138 | 1200659185 | 805006E03M080 | 8m |
| 34 | 1200062426 | 804006E03M200 | 20m | 69 | 1200652141 | 804006P03M040 | 4m | 104 | 1200658729 | 804006H09M020 | 2m | 139 | 1200659186 | 804006E03M060 | 6m |
| 35 | 1200062560 | 808006P02M005 | 0.5m | 70 | 1200652157 | 805006P03M040 | 4m | 105 | 1200658730 | 804006H09M030 | 3m | 140 | 1200659190 | 804006P03M250 | 25m |

NOTES:

- * - Part No. with Yellow PVC overmolding
- ** - Part No. with Black PVC overmolding

| | | | | | | | | | | |
|---|---------|--|--|------------|--|-------------------|--|-----------------|----------|----------|
| THIS DRAWING CONTAINS INFORMATION THAT IS PROPRIETARY TO MOLEX ELECTRONIC TECHNOLOGIES, LLC AND SHOULD NOT BE USED WITHOUT WRITTEN PERMISSION | | | | | | | | | | |
| DIMENSION UNITS | SCALE | CURRENT REV DESC: REMOVED OBSOLETE PART NUMBER AS PER PCN#512871. | | | | | | | | |
| mm | 1:1 |  CSE M12 XP AC MA STR XM SE UNSH PRODUCT CUSTOMER DRAWING | | | | | | | | |
| GENERAL TOLERANCES (UNLESS SPECIFIED) | | | | | | | | | | |
| ANGULAR TOL | ± 1.0 ° | EC NO: 732259 | | 2022/12/20 | | DOCUMENT NUMBER | | DOC TYPE | DOC PART | REVISION |
| 4 PLACES | ± | DRWN: SANTHN | | 2022/12/21 | | 1200659185 | | PSD | 000 | A11 |
| 3 PLACES | ± | CHK'D: GGA | | 2022/12/21 | | INITIAL REVISION: | | MATERIAL NUMBER | | |
| 2 PLACES | ± 0.05 | APPR: GGA | | 2022/12/21 | | DRWN: JMARSZALEK | | CUSTOMER | | |
| 1 PLACE | ± 0.3 | APPR: RSILLER | | 2016/01/12 | | SERIES | | SHEET NUMBER | | |
| 0 PLACES | ± 0.5 | DRAFT WHERE APPLICABLE MUST REMAIN WITHIN DIMENSIONS | | 2016/04/08 | | A3-SIZE | | 3 OF 4 | | |

| | | | | |
|-----------------|----|--------------|------------|----------|
| DOCUMENT STATUS | P1 | RELEASE DATE | 2022/12/21 | 07:37:46 |
|-----------------|----|--------------|------------|----------|

PART LIST


| No. | Part No. | Engineering No. | Cable Length |
|-----|------------|-----------------|--------------|
| 141 | 1200659191 | 804006P03M300 | 30m |
| 142 | 1200659192 | 804006P03M350 | 35m |
| 143 | 1200659193 | 804006P03M400 | 40m |
| 144 | 1200659194 | 804006E03M250 | 25m |
| 145 | 1200659195 | 804006E03M300 | 30m |
| 146 | 1200659196 | 804006E03M350 | 35m |
| 147 | 1200659197 | 804006E03M400 | 40m |
| 148 | 1200659198 | 804006E03M450 | 45m |
| 149 | 1200659224 | 805006P03M200 | 20m |
| 150 | 1200659225 | 805006P03M300 | 30m |
| 151 | 1200659254 | 804006E03M500 | 50m |
| 152 | 1200659281 | 805006P03M150 | 15m |
| 153 | 1200659285 | 805006E03M150 | 15m |
| 154 | 1200659316 | 805006P03M005H | 0.5m |
| 155 | 1200659317 | 805006P03M007H | 0.7m |
| 156 | 1200659318 | 805006P03M010H | 1m |
| 157 | 1200659319 | 805006P03M020H | 2m |
| 158 | 1200659320 | 805006P03M050H | 5m |
| 159 | 1200659321 | 805006P03M100H | 10m |
| 160 | 1200659322 | 805006P03M150H | 15m |
| 161 | 1200659323 | 805006P03M200H | 20m |
| 162 | 1200659324 | 805006P03M300H | 30m |
| 163 | 1200659325 | 805006P03M350H | 35m |
| 164 | 1200659367 | 805006E03M015 | 1.5m |
| 165 | 1200659454 | 805006E03M045 | 4.5m |
| 166 | 1200659455 | 805006E03M075 | 7.5m |
| 167 | 1200659513 | 805006E03M030H | 3m |
| 168 | 1200659514 | 805006E03M045H | 4.5m |
| 169 | 1200659515 | 805006E03M075H | 7.5m |
| 170 | 1200659550 | 804006E03M120H | 12m |
| 171 | 1200659551 | 805006E03M010H | 1m |
| 172 | 1200659557 | 804006P03M003 | 0.3m |
| 173 | 1200659612 | 804006P03M080 | 8m |
| 174 | 1200659692 | 803006E02M020 | 2m |
| 175 | 1200659983 | 804006E02M075 | 7.5m |

| No. | Part No. | Engineering No. | Cable Length |
|-----|------------|-----------------|--------------|
| 176 | 1200659991 | 804006E02M0705 | 7m |
| 177 | 1200656021 | 804006H09M050H | 5m |
| 178 | 1200659539 | 808006E02M100 | ** 10m |
| 179 | 1200656293 | 803006E03M080 | 8m |
| 180 | 1200656294 | 803006E03M120 | 12m |
| 181 | 1200656295 | 804006E03M080 | 8m |
| 182 | 1200656297 | 808006H08M005 | 0.5m |
| 183 | 1200650843 | 803006A09M0208 | * 2m |
| 184 | 1200651374 | 805006K03M020 | 2m |
| 185 | 1200652151 | 805006K03M050 | 5m |
| 186 | 1200651129 | 804006K05M020 | 2m |
| 187 | 1200651131 | 804006K05M050 | 5m |
| 188 | 1200651133 | 804006K05M100 | 10m |
| 189 | 1200657191 | 805006E03M005 | 0.5m |
| 190 | 1200656974 | 805006H09M003 | 0.3m |
| 191 | 1200657157 | 804006P03M002 | 0.2m |
| 192 | 1200657158 | 804006P03M005 | 0.5m |
| 193 | 1200657159 | 804006E03M015 | 1.5m |
| 194 | 1200657263 | 805006H09M250 | 25m |
| 195 | | | |
| 196 | | | |
| 197 | | | |
| 198 | | | |
| 199 | | | |
| 200 | | | |
| 201 | | | |
| 202 | | | |
| 203 | | | |
| 204 | | | |
| 205 | | | |
| 206 | | | |
| 207 | | | |
| 208 | | | |
| 209 | | | |
| 210 | | | |

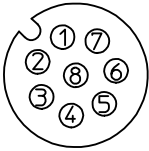
| No. | Part No. | Engineering No. | Cable Length |
|-----|----------|-----------------|--------------|
| 211 | | | |
| 212 | | | |
| 213 | | | |
| 214 | | | |
| 215 | | | |
| 216 | | | |
| 217 | | | |
| 218 | | | |
| 219 | | | |
| 220 | | | |
| 221 | | | |
| 222 | | | |
| 223 | | | |
| 224 | | | |
| 225 | | | |
| 226 | | | |
| 227 | | | |
| 228 | | | |
| 229 | | | |
| 230 | | | |
| 231 | | | |
| 232 | | | |
| 233 | | | |
| 234 | | | |
| 235 | | | |
| 236 | | | |
| 237 | | | |
| 238 | | | |
| 239 | | | |
| 240 | | | |
| 241 | | | |
| 242 | | | |
| 243 | | | |
| 244 | | | |
| 245 | | | |

| No. | Part No. | Engineering No. | Cable Length |
|-----|----------|-----------------|--------------|
| 246 | | | |
| 247 | | | |
| 248 | | | |
| 249 | | | |
| 250 | | | |
| 251 | | | |
| 252 | | | |
| 253 | | | |
| 254 | | | |
| 255 | | | |
| 256 | | | |
| 257 | | | |
| 258 | | | |
| 259 | | | |
| 260 | | | |
| 261 | | | |
| 262 | | | |
| 263 | | | |
| 264 | | | |
| 265 | | | |
| 266 | | | |
| 267 | | | |
| 268 | | | |
| 269 | | | |
| 270 | | | |
| 271 | | | |
| 272 | | | |
| 273 | | | |
| 274 | | | |
| 275 | | | |
| 276 | | | |
| 277 | | | |
| 278 | | | |
| 279 | | | |
| 280 | | | |

NOTES:
 * - Part No. with Yellow PVC overmolding
 ** - Part No. with Black PVC overmolding

| | | | | | | | | | | | | |
|---|---------|--|--|------------------------|--|-------------------|--|---------------|----------|-----------------|----------|--------------|
| THIS DRAWING CONTAINS INFORMATION THAT IS PROPRIETARY TO MOLEX ELECTRONIC TECHNOLOGIES, LLC AND SHOULD NOT BE USED WITHOUT WRITTEN PERMISSION | | | | | | | | | | | | |
| DIMENSION UNITS | SCALE | CURRENT REV DESC: REMOVED OBSOLETE PART NUMBER AS PER PCN#512871. | | | | | | | | | | |
| mm | 1:1 |  CSE M12 XP AC MA STR XM SE UNSH PRODUCT CUSTOMER DRAWING | | | | | | | | | | |
| GENERAL TOLERANCES (UNLESS SPECIFIED) | | | | | | | | | | | | |
| ANGULAR TOL | ± 1.0 ° | EC NO: 732259 | | 2022/12/20 | | DOCUMENT NUMBER | | DOC TYPE | DOC PART | REVISION | | |
| 4 PLACES | ± | DRWN: SANTHN | | 2022/12/21 | | 1200659185 | | PSD | 000 | A11 | | |
| 3 PLACES | ± | CHK'D: GGA | | 2022/12/21 | | INITIAL REVISION: | | | | | | |
| 2 PLACES | ± 0.05 | APPR: GGA | | 2022/12/21 | | DRWN: JMARSZALEK | | | | | | |
| 1 PLACE | ± 0.3 | APPR: RSILLER | | 2016/01/12 | | 2016/04/08 | | | | | | |
| 0 PLACES | ± 0.5 | DRAFT WHERE APPLICABLE MUST REMAIN WITHIN DIMENSIONS | | THIRD ANGLE PROJECTION | | DRAWING | | SERIES | | MATERIAL NUMBER | CUSTOMER | SHEET NUMBER |
| | | | | A3-SIZE | | 120065 | | SEE PART LIST | | GENERAL MARKET | | 4 OF 4 |

8 POLE MM



FEMALE INSERT 3P
VIEW FROM FRONT SIDE

| Pin | WIRE COLOR | Wire color |
|-----|------------|------------|
| 1 | WHITE | WH |
| 2 | BROWN | BN |
| 3 | GREEN | GN |
| 4 | YELLOW | YE |
| 5 | GREY | GY |
| 6 | PINK | PK |
| 7 | BLUE | BU |
| 8 | RED | RD |

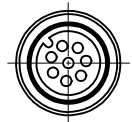
Tablica tolerancji dlugosci
Table of length tolerances

| Powyzej Over | Do-wlacznie Up to and including | Tolerancja (+) Tolerance |
|-----------------|------------------------------------|-----------------------------|
| 0 | 305 | +19 |
| 305 | 915 | +45 |
| 915 | 1830 | +56 |
| 1830 | 3660 | +89 |
| 3660 | 7320 | +165 |
| 7320 | 14640 | +317 |
| 14640 | 30500 | +610 |
| 30500 | > | +2% dlugosci of length |

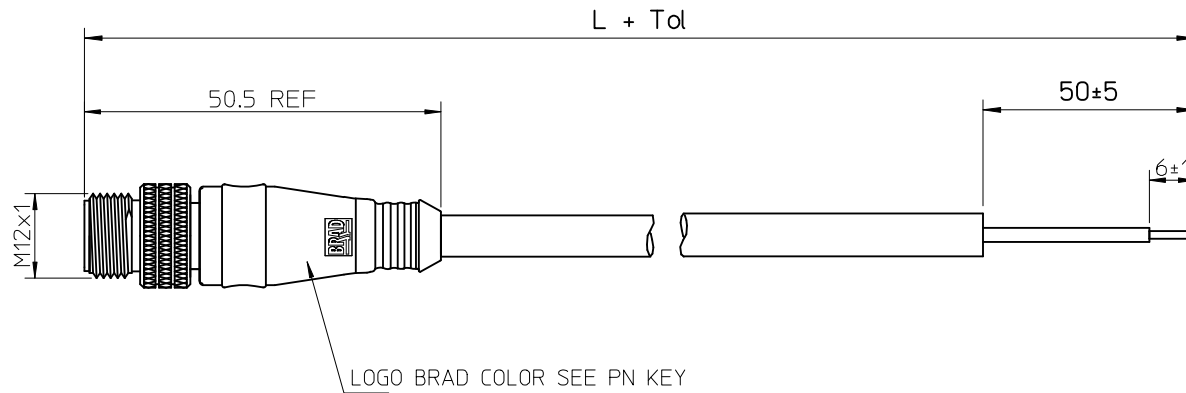
PART No MATRIX

8 0 8 0 0 6 X X X M X X X X X OVERMOULD COLOR

8-Micro Change
 0-Portable
 8-3 Core
 0-4 Core
 0-5 Core
 6-006+ Male straight
 X-H08 - UL Listed LSQH Black PUR 0.25mm² (24AWG)
 X-P02 - 24AWG BLACK PUR CABLE
 X-E02 - CABLE PVC BLACK 0.25mm²
 M-Metres
 F-Feet
 X-LENGTH 020-2 METRES
 X-050-5 METRES
 X-200-20 METRES
 X-OVERMOULD COLOR
 Blank=BLACK (Standard)
 A=GREY
 Y=YELLOW
 Coupling Nut Material
 Blank-Standard
 1-Stainless Steel
 5-3mm



VIEW FROM FRONT SIDE



| | | | | | | | | | | |
|--|-------------------------------|---------------------------------------|--|----------------------------|--|--------------------|--|------------------------|--|--|
| DRAWING UPDATE EC NO: IPG2013-0156 DRWN:HWALCZAK 2012/07/03 CHKD: APPR:MIWASIECZKO 2012/10/11 | QUALITY SYMBOLS ▽=0 ◻=0 | GENERAL TOLERANCES (UNLESS SPECIFIED) | | DIMENSION STYLE MM ONLY | | SCALE --- | DESIGN UNITS METRIC | FIRST ANGLE PROJECTION | | |
| | | | mm | INCH | DRAWN BY HWALCZAK | DATE 2012/02/10 | TITLE CSE M12 8P AC MA STR PUR XM SE UNSH | | | |
| | | 4 PLACES | ±--- | ±--- | CHECKED BY JMARSZALEK | DATE 2012/02/16 | MOLEX INCORPORATED DOCUMENT NO. SD-120065-001 SHEET NO. 1 OF 1 | | | |
| | | 3 PLACES | ±--- | ±--- | APPROVED BY MDYSZEWSKA | DATE 2012/02/16 | | | | |
| 2 PLACES | ±--- | ±--- | ANGULAR ±---° | | MATERIAL NO. | | SIZE A3 | | | |
| 1 PLACE | ±--- | ±--- | DRAFT WHERE APPLICABLE MUST REMAIN WITHIN DIMENSIONS | | THIS DRAWING CONTAINS INFORMATION THAT IS PROPRIETARY TO MOLEX INCORPORATED AND SHOULD NOT BE USED WITHOUT WRITTEN PERMISSION | | | | | |