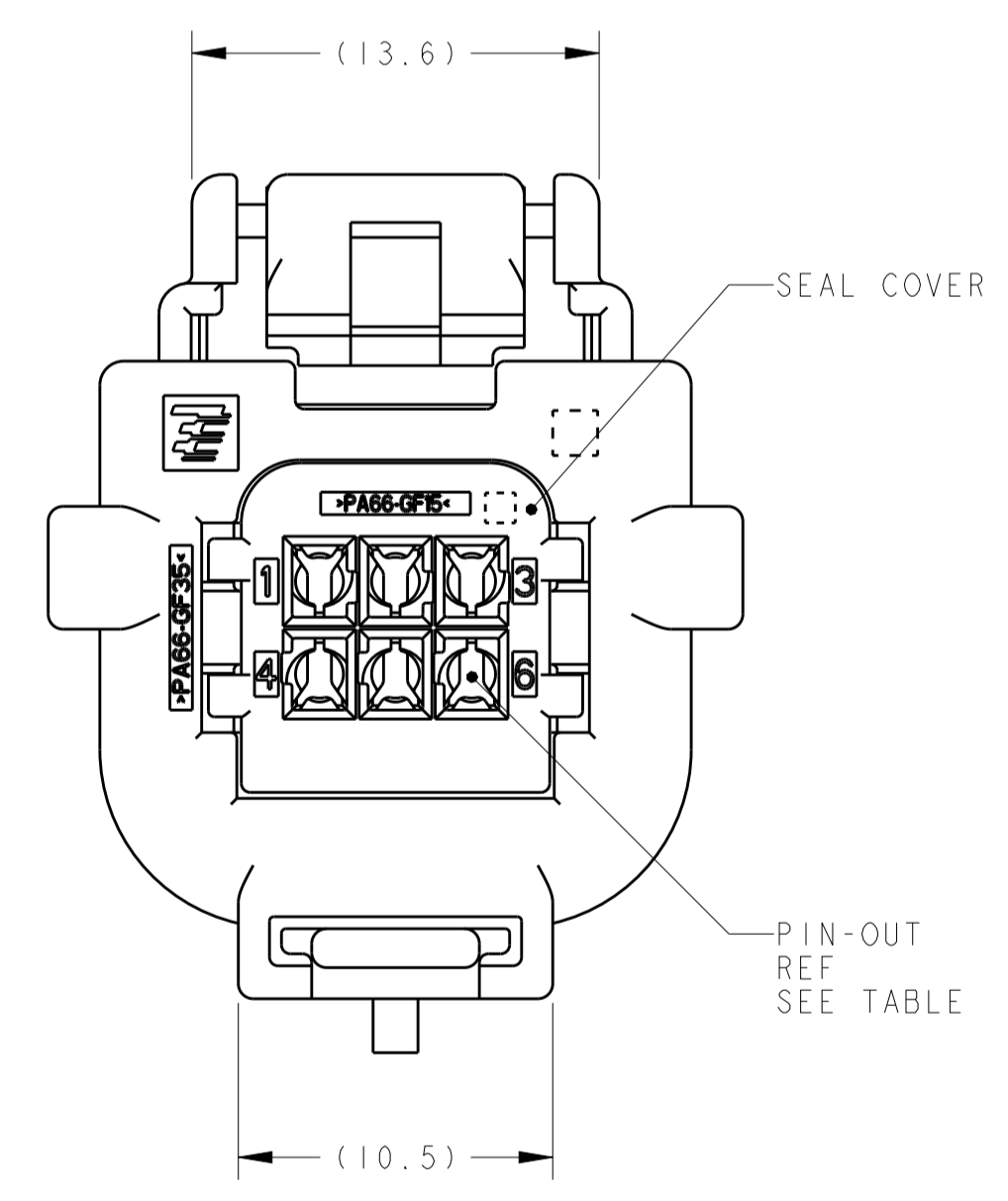
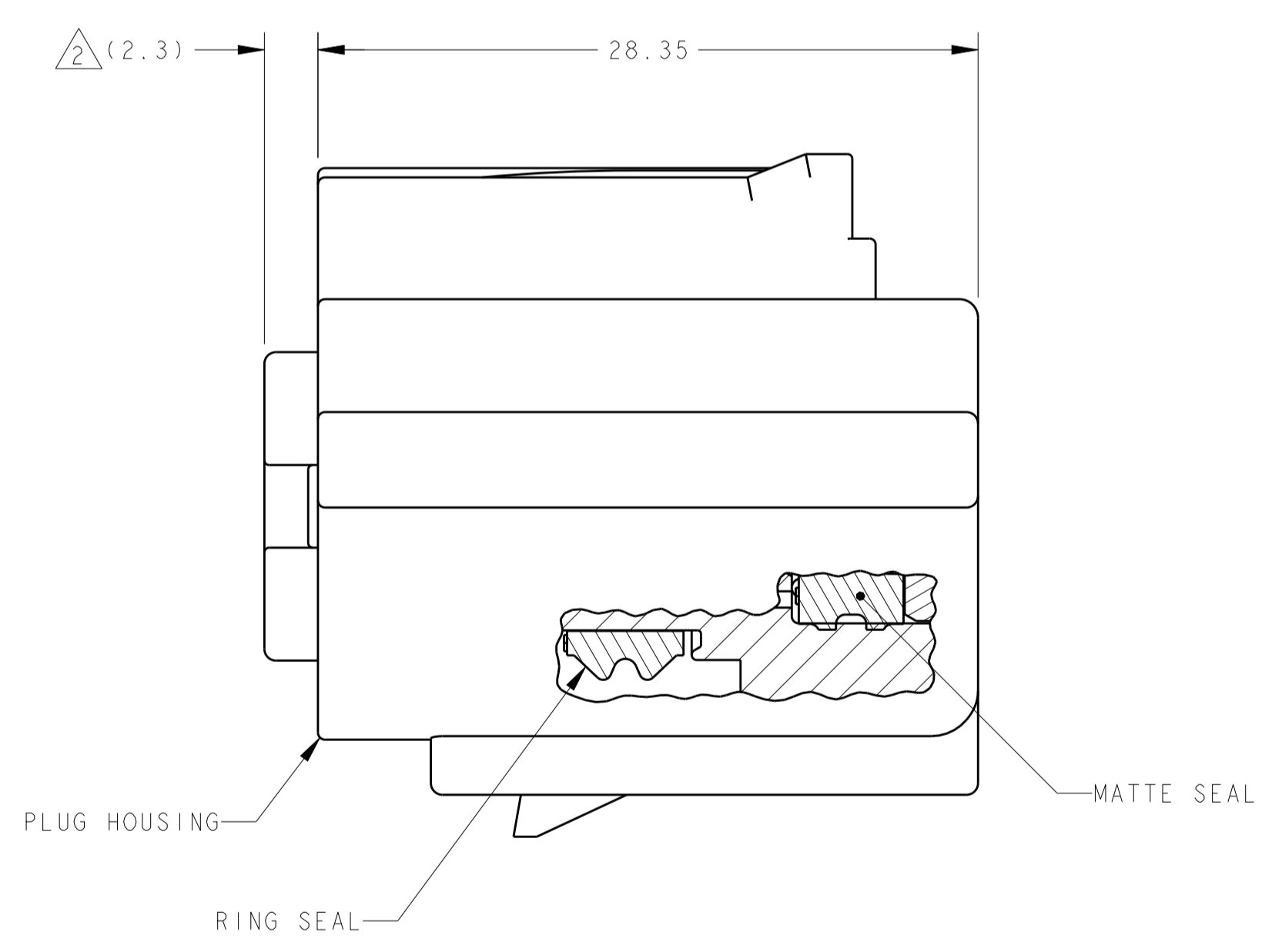
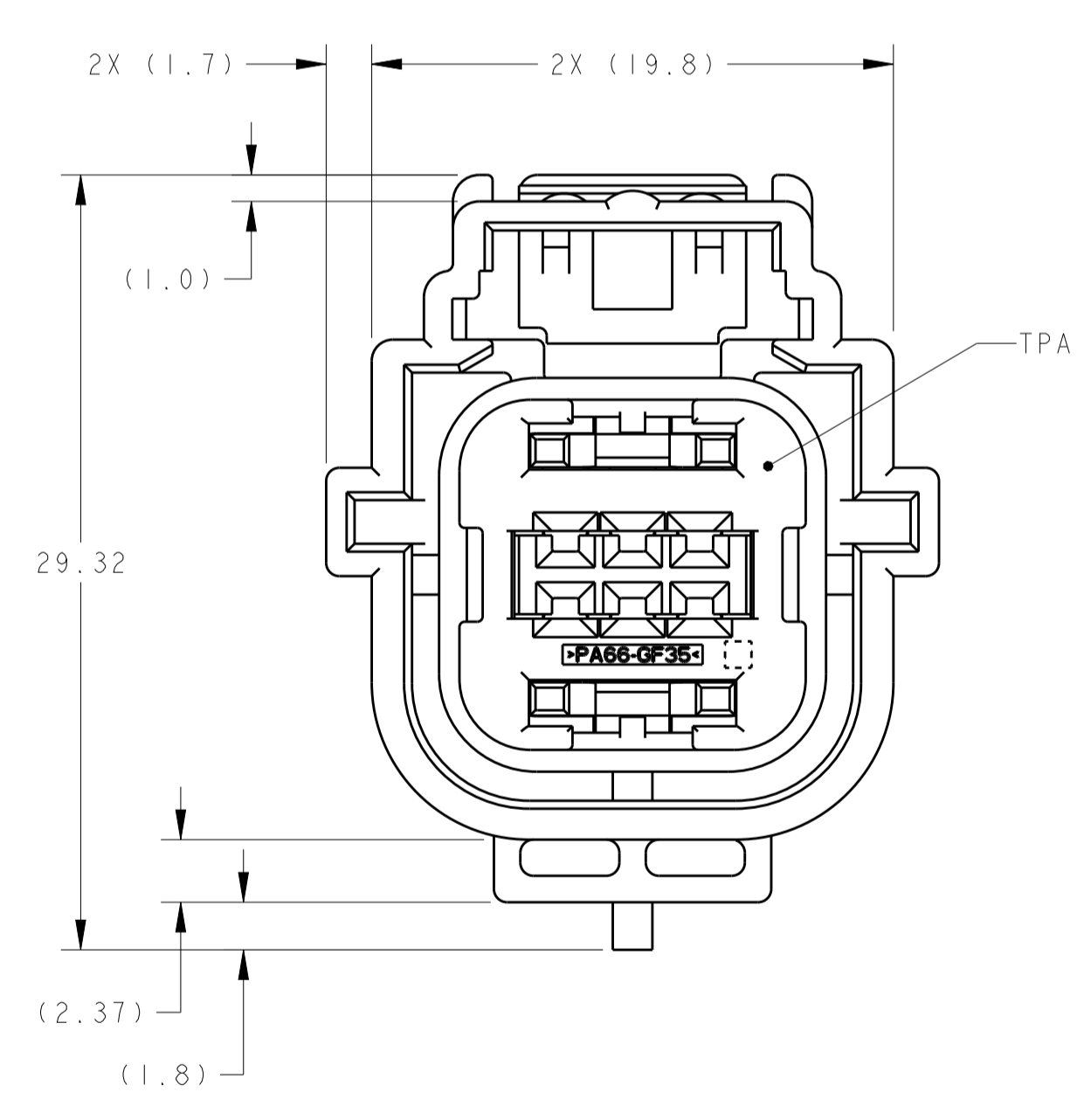
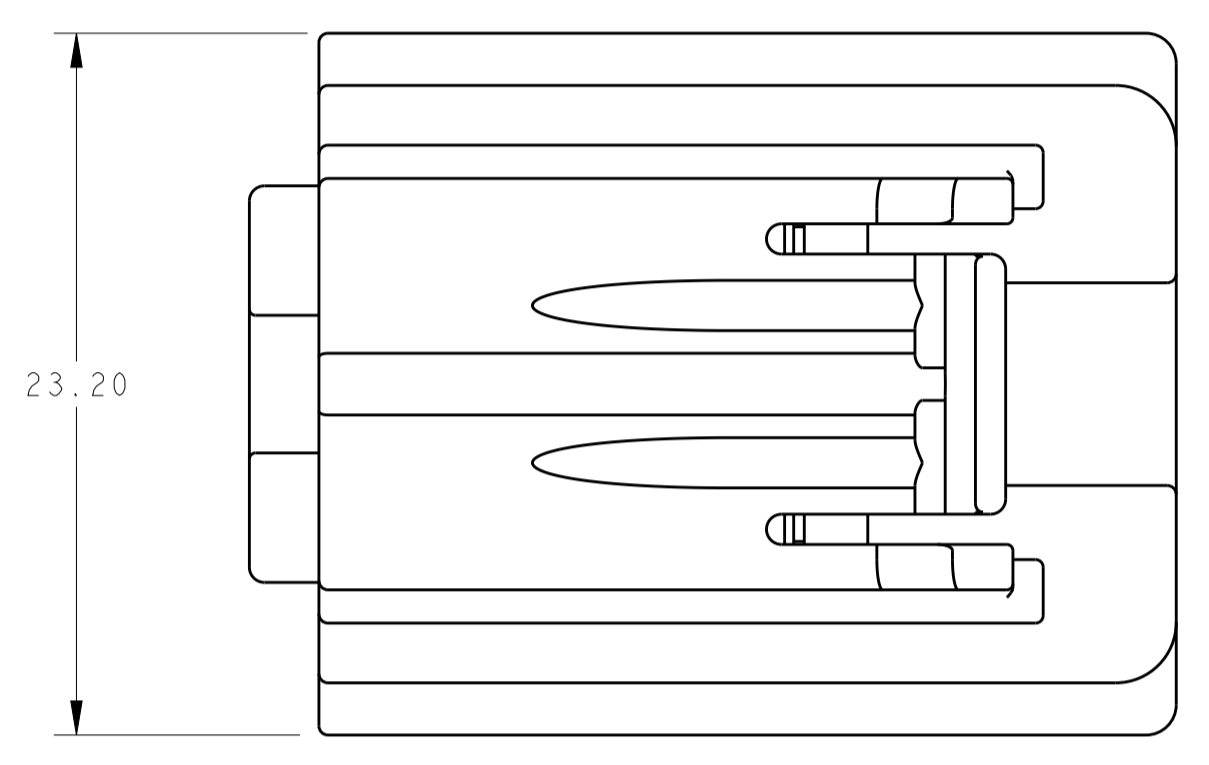
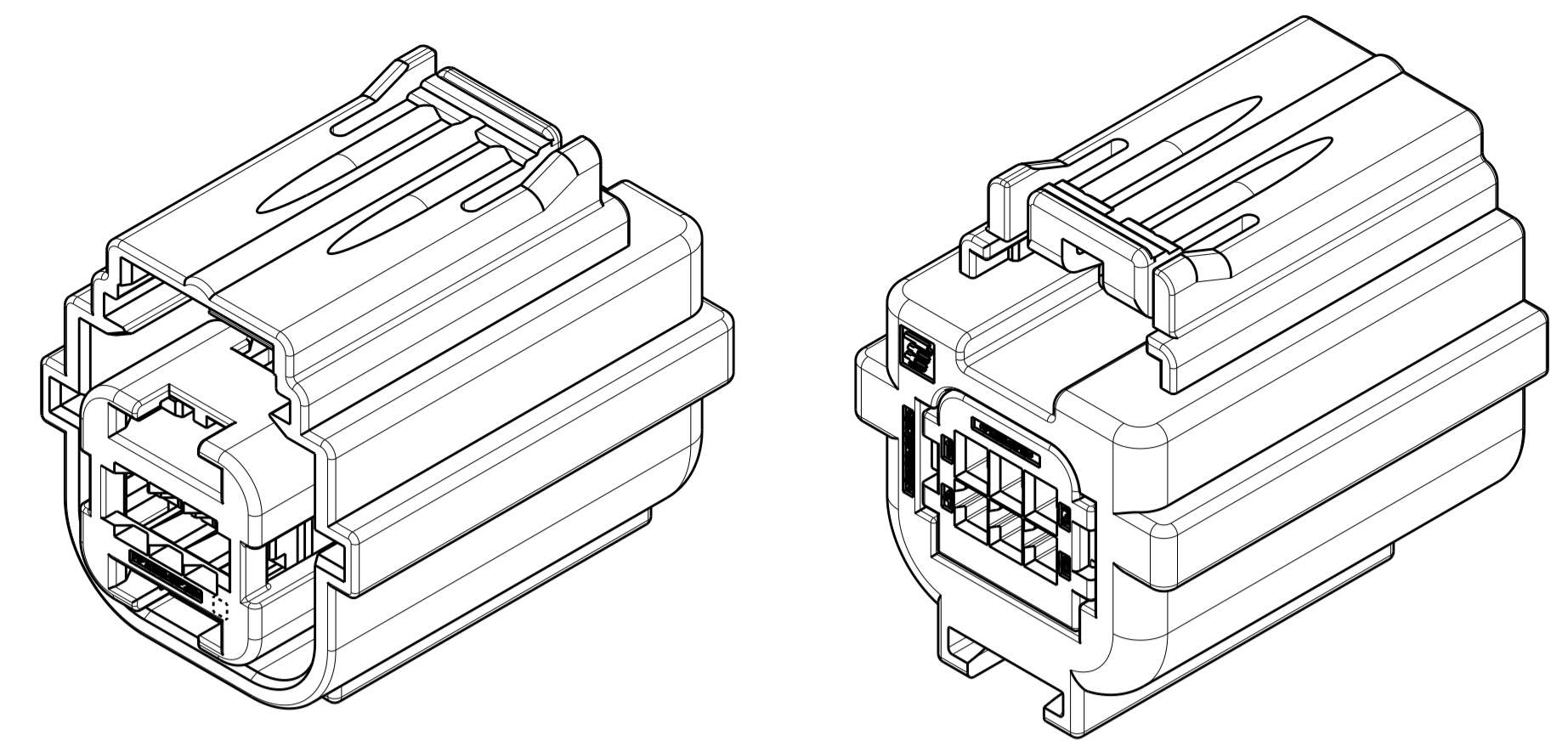
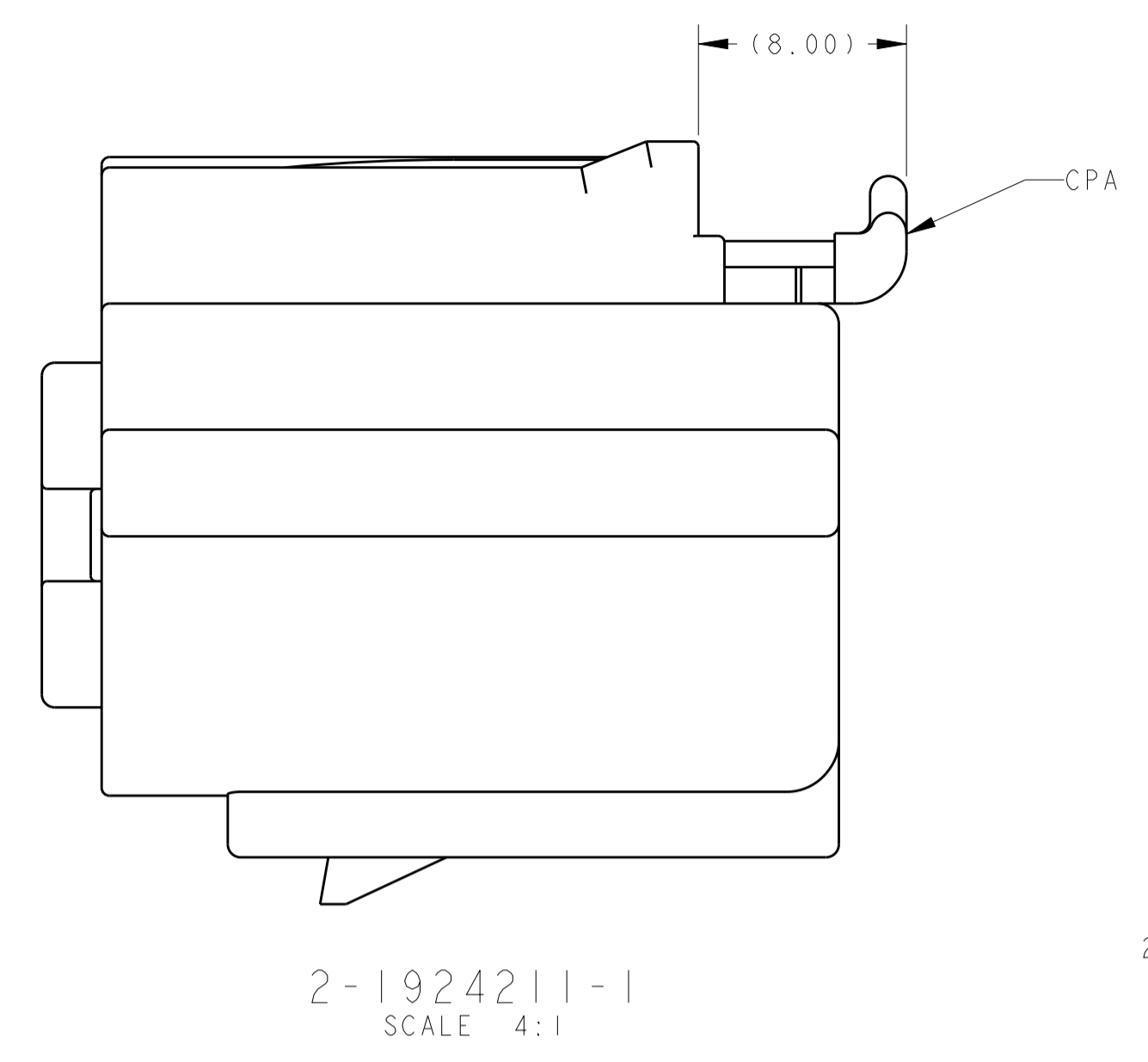


REVISIONS				
P.	LTN.	DESCRIPTION	DATE	APVD.
B3		REVISED PER ECO-13-006674	23APR2013	DLD CJS
B4		REVISED PER ECO-13-016055	15OCT2013	DLD CJS
B5		REVISED PER ECO-15-015996	05NOV2015	DLD CJS



- △ PLUG HOUSING: NYLON 6/6, GRAY.
RING AND MATTE SEALS: SILICONE, LIGHT BLUE.
TPA AND SEAL COVER: NYLON 6/6, RED.
CPA: PBT GF-15, RED
- △ TPA SHOWN IN PRE-LATCHED POSITION.

- 3. PLUG ASSEMBLY WILL ACCEPT TERMINAL PART NUMBERS:
JST = SAIT-A03T-M064
YAZAKI = 7116-7276-02
TE = 2035170
- 4. PARTS HAVE BEEN VALIDATED TO GMW3191, DATED DECEMBER 2007,
EXCEPT 4.12.1.5.2:
TPA CLOSING FORCE WITH CORRECT ASSEMBLED TERMINAL TO BE < 35N.
EXCEPT 4.12.5.5: CPA FORCES TBD
- 5. SEALING CLASS - 3.
- 6. VIBRATION CLASS - 1.
- 7. TEMPERATURE CLASS - 3.
- 8. MATES WITH PART NUMBER 1924212.

O	O	O	O	O	O	Y	B	2-1924211-1
O	O	X	O	O	O	N	B	1924211-6
O	O	O	O	X	O	N	B	1924211-3
X	X	X	X	X	X	N	B	1924211-2
O	O	O	O	O	O	N	B	1924211-1
CIR 1	CIR 2	CIR 3	CIR 4	CIR 5	CIR 6	CPA	CODING REF	PART NUMBER
PIN-OUT								
O = OPEN CIRCUIT; X = CLOSED CIRCUIT								

THIS DRAWING IS A CONTROLLED DOCUMENT. DWG: D.J. HARDY 26MAR2007
 CHK: E.C. BRANDBERG 25JUN2007
 APVD: E.C. BRANDBERG 25JUN2007

STE TE Connectivity

NAME: PLUG ASSEMBLY, 6 POSITION, 2x3, SEALED, 0.64mm

SIZE: A1 CAGE CODE: 100779 DRAWING NO: 1924211

MATERIAL: - FINISH: - WEIGHT: - RESTRICTED TO: -

Customer Drawing SCALE: 4:1 SHEET 1 OF 1 REV: B5