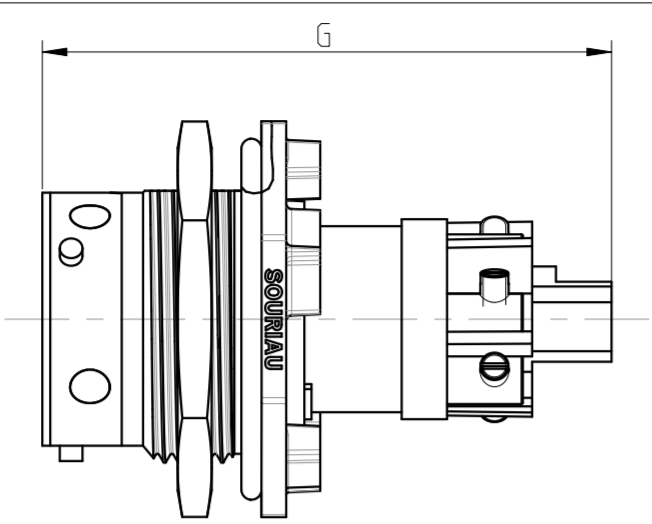
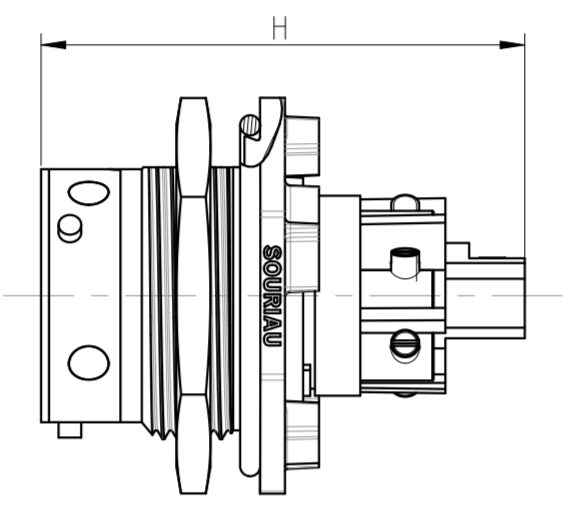


SIDE VIEW FOR EACH VERSION

UTGX7-----PSCR



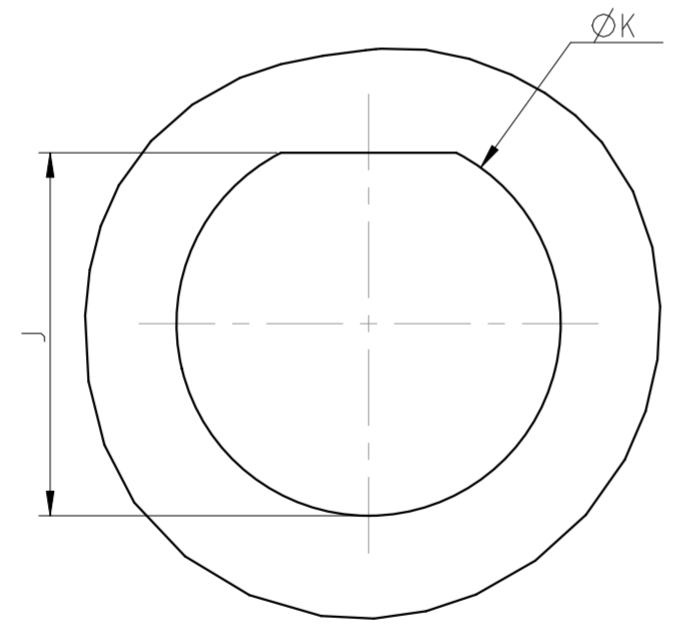
UTGX7-----SSCR



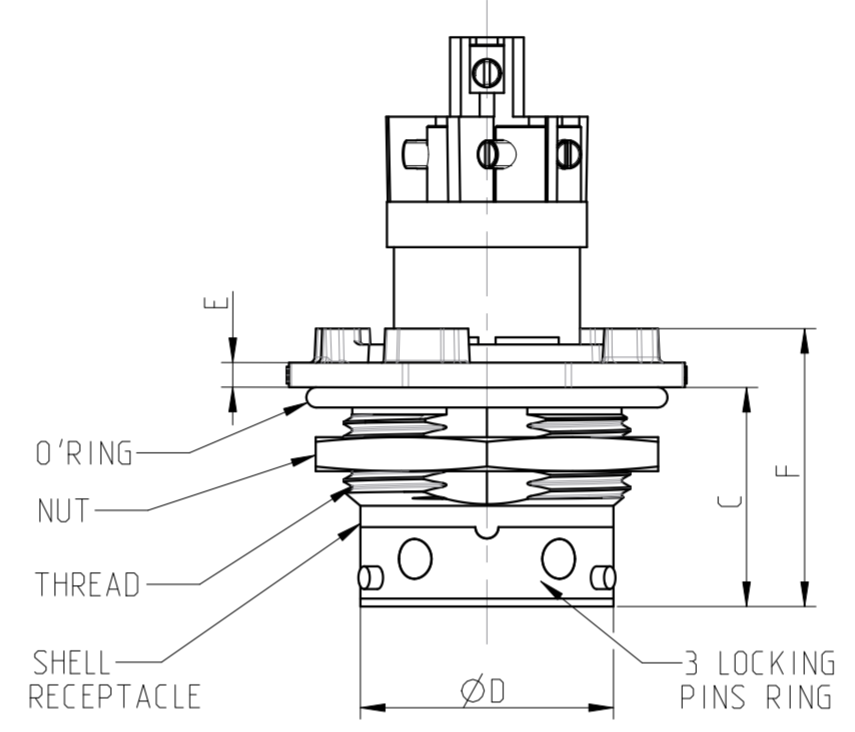
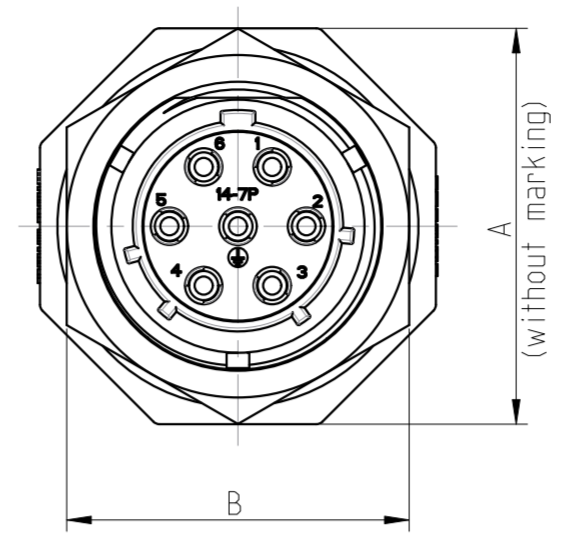
SEALING CONDITION

Sealing in MATED conditions with COUNTERPART:  
 -IP68 1 bar during 1 week: immersion under 10 m of water. (IEC 60529)  
 -IP69K : exposure to high pressure water of cleaning equipment(DIN 40050)

PANEL CUT OUT



COMMON QUOTES FOR ALL VERSION



MATERIAL :

- SHELL : PA UL94 V0, UL746C F1 Black color
- 3 LOCKING PINS RING : Nickel plated Brass + stainless Steel
- INSERT : PA UL94 V0, UL746C F1
- NUT : Aluminium alloy + Anodic oxidation
- O'RING : Nitril
- CONTACT SPRING: copper alloy
- CONTACT BODY : brass, gold and nickel plated
- SCREW : stainless steel

PERFORMANCE CHARACTERISTICS :

Operating temperature: -40°C up to 105°C  
 Insulation resistance: 5000 MΩmin  
 Corrosion salt spray: 500 hours  
 Durability: 500 matings and unmatings  
 Sealing conditions: SEE TABLE

NOTA:

- 1- Contact to be ordered separately for version UTGX7----- : refer to corresponding catalogue.
- 2- Insert arrangement refer to:  
 C008-UTS1-A(female insulator)  
 C007-UTS1-A (male insulator)

Country	Jurisdiction & Control List
FR	NOT LISTED

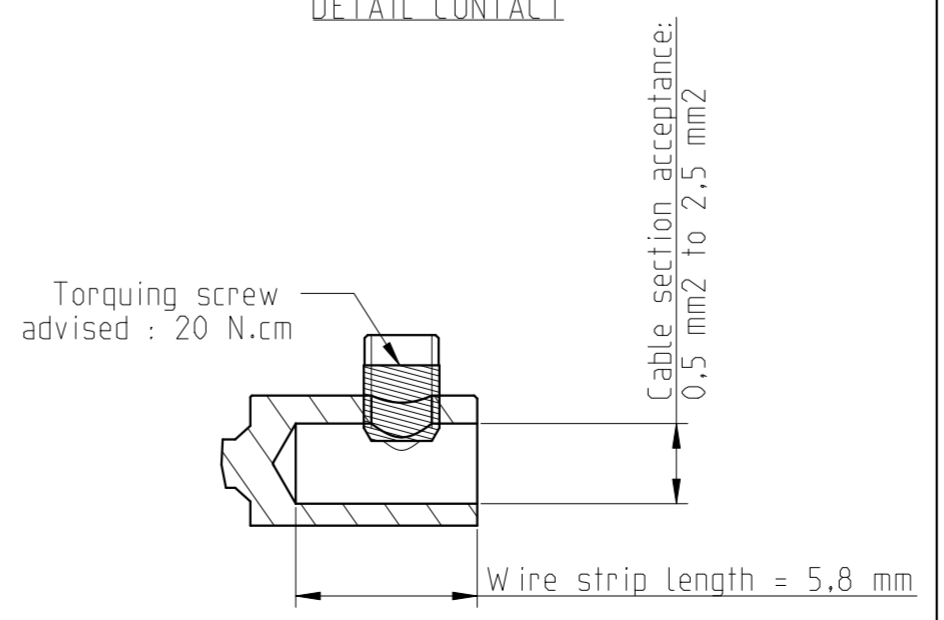
SOURIAU shall not be liable for any non-conformity or damage due to a use of the Products which does not comply with the Specifications issued by either of the Parties or by a third party (professional recommendation, technical notice.)

P/N : CROSS REF TABLE

BASIC SERIES	UTGX	7	14	7	P	SCR	*P/N for example
SHELL TYPE	7	Jam nut receptacle					
SHELL SIZE	12	14					
INSERT ARRANGEMENT	See NOTA 2						
SCREW TERMINATION						TYPE OF CONTACTS	
						P: MALE	S: FEMALE

SHELL SIZE	±0.2	±0.2	±0.3	±0.2	±0.3	±0.2	MAX	MAX	±0.2	±0.15	±2	UNEF CLASS 2A	±10% (g.)
	A	B	C	ØD	E	F	G	H	J	ØK	L	THREAD	MASS
12	31.75	27.15	19.3	19.15	2.2	24.5	46.5	38.3	21.4	22.7	3	7/8 20	30
14	34.90	30.20		22.31		24.5	52.5	44.4	24.5	25.9		1"20	37

DETAIL CONTACT



A	23/10/19	New drawing	25253D
ISS	DATE	Latest modification - by:	MOD N°
Designed by: J.FEURPRIER		Date:23/10/19	CUSTOMER DRAWING
TITLE JAM NUT RECEPTACLE WITH SCREW CONTACT- SIZE 12 & 14 UTGX CONNECTOR			
Scale 3/2		Dimensions in mm General Linear Tolerances: ± 0.2	NPRDS / PROJECT GBB
		www.estertline-connection-technologies.com	This document is the property of SOURIAU It must not be reproduced or communicated without permission
FORMAT A2	SOURIAU DRG N° UTGX-0007A-C		SHEET 1 / 1