

HEADER WITH LEFT HOLD DOWN (FIG.1)				
PART NUMBER	NUMBER OF POWER MODULES	'DIM A'	PLATING OPTION	LEFT HOLD DOWN MODULE LOCATION ⁹
78353-100*	1X	15.00	TIN	REFER TO SHEET 2 FOR DETAILS
78353-10**	2X	26.40		

HEADER WITH RIGHT HOLD DOWN (FIG.2)				
PART NUMBER	NUMBER OF POWER MODULES	'DIM A'	PLATING OPTION	RIGHT HOLD DOWN MODULE LOCATION ⁹
78353-200*	1X	15.00	TIN	REFER TO SHEET 3 FOR DETAILS
78353-20**	2X	26.40		

78353-*0**

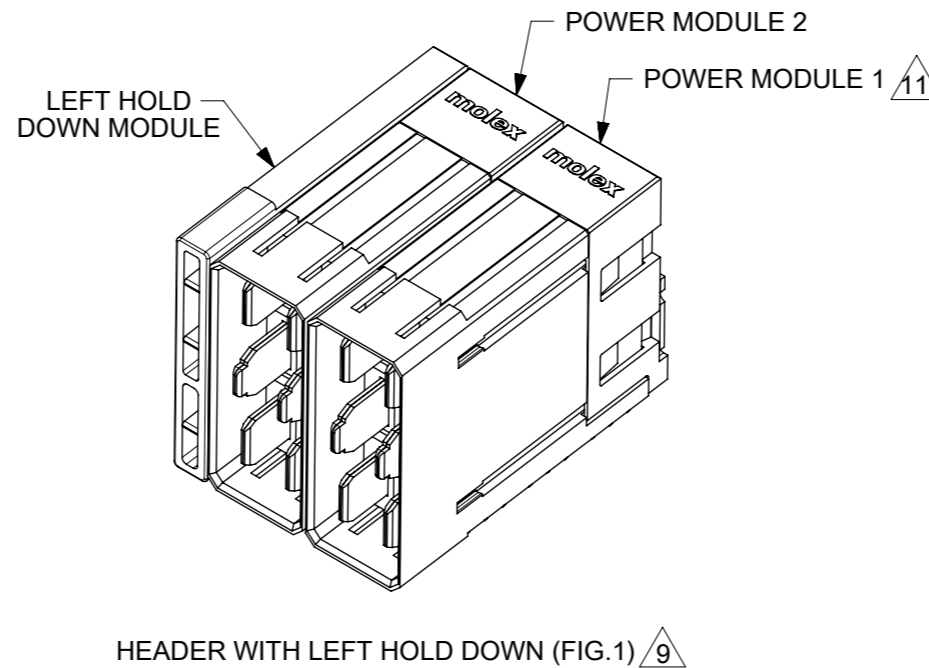
PLATING OPTION	HOLD DOWN MODULE LOCATION	*
TIN	LEFT	1
	RIGHT	2

POWER MODULE 2			
*	BLADE LENGTH		
	P1	P2	P3
0	MODULE NOT PRESENT		
1	6.90	6.90	6.90
2	5.70	5.70	6.90
5	6.90	5.70	5.70
7	5.70	6.90	6.90

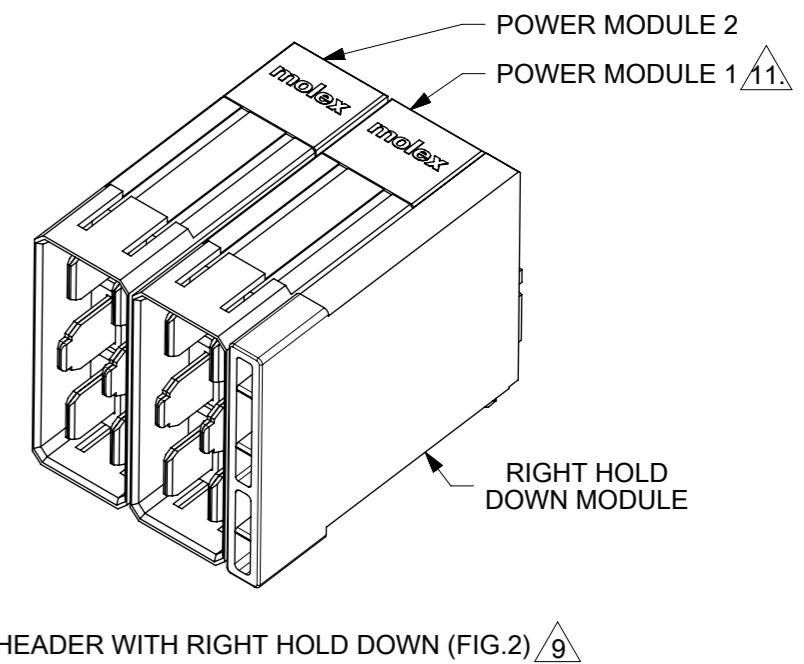
POWER MODULE 1 ¹¹			
*	BLADE LENGTH		
	P1	P2	P3
1	6.90	6.90	6.90
2	5.70	5.70	6.90
5	6.90	5.70	5.70
7	5.70	6.90	6.90

NOTES:

- MATERIALS:
HOUSING - HIGH TEMP. THERMOPLASTIC, GLASS FILLED, UL94-V0,COLOR:BLACK.
POWER PIN - COPPER ALLOY.
- FINISH:
POWER CONTACTS
0.76µm MINIMUM GOLD AT CONTACT AREA AND
2.54µm MINIMUM TIN AT SOLDER TAIL AREA
OVER 1.27µm MINIMUM NICKEL UNDERPLATE.
- PRODUCT SPECIFICATION: PS-78213-001.
- COMPONENT STAY AWAY ZONE FROM CONNECTOR.
- REFER TO MOLEX PRODUCT SPECIFICATION PS-78213-001 FOR PLATED THROUGH-HOLE SPECIFICATIONS AND TORQUE FORCE.
- MATES WITH 78218-****.
- PART NUMBER AND YEAR-DAY CODE. CAN BE AT THE OPPOSITE SIDE.
- ADD 11.4mm FOR EACH ADDITIONAL POWER MODULE.
- THE DETAILS FOR LEFT & RIGHT HOLD DOWN OPTION ARE SHOWN IN SHEET 2 AND SHEET 3 RESPECTIVELY.
- CONNECTORS ARE PACKED IN A TRAY.
- FIRST POWER MODULE (#1) START FROM THE RIGHT.
- REFER TO SD-78217-003 FOR DETAILS OF THE POWER MODULE.
- ALL PARTS ARE SHIPPED WITH A 2-32 TYPE AB SELF-TAPPING SCREW PART NUMBER 73726-0000.
- PACKAGING SPECIFICATION:
PK-78353-001 (1X MODULE WITH HOLD DOWN MODULE)
PK-78353-002 (2X MODULE WITH HOLD DOWN MODULE)



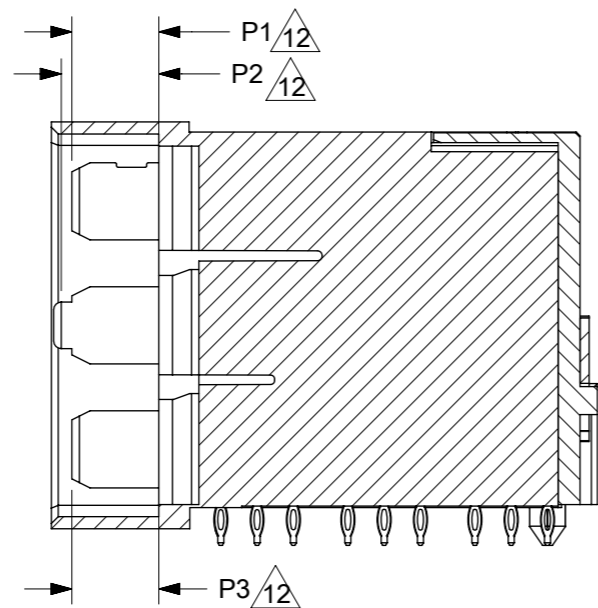
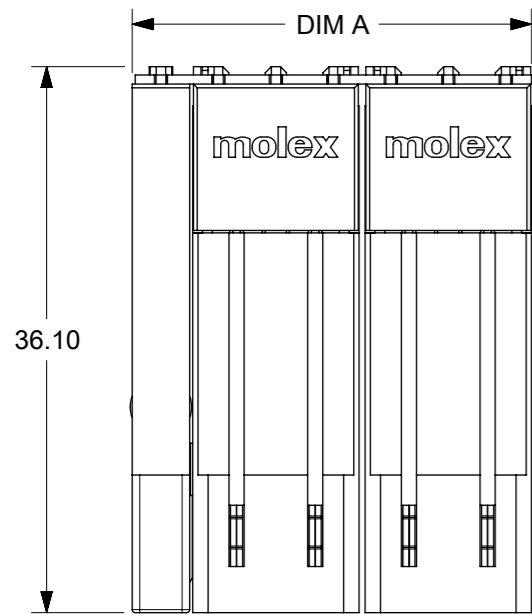
HEADER WITH LEFT HOLD DOWN (FIG.1) ⁹



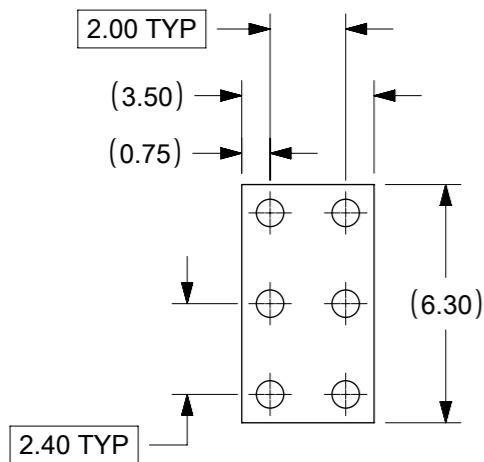
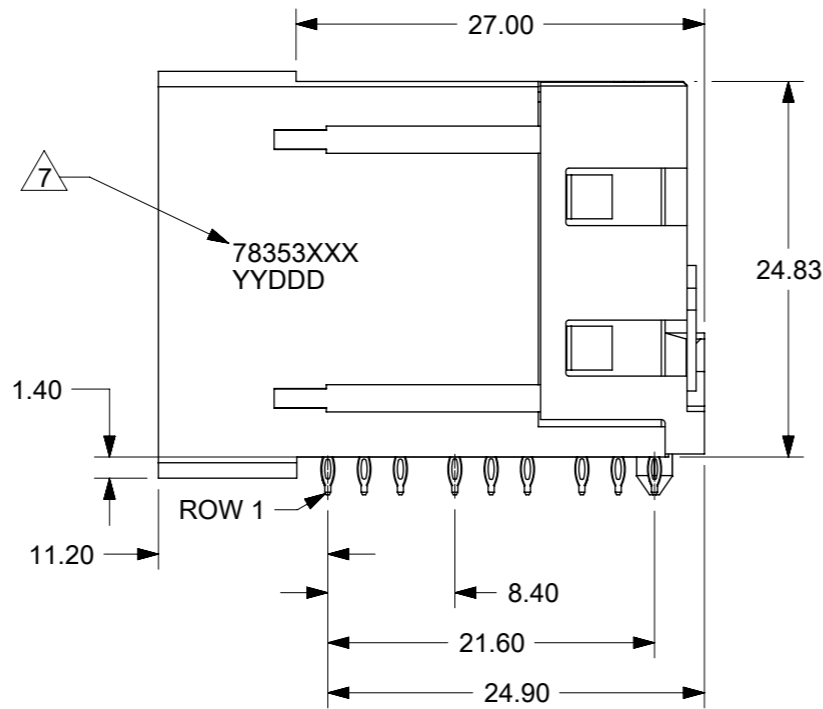
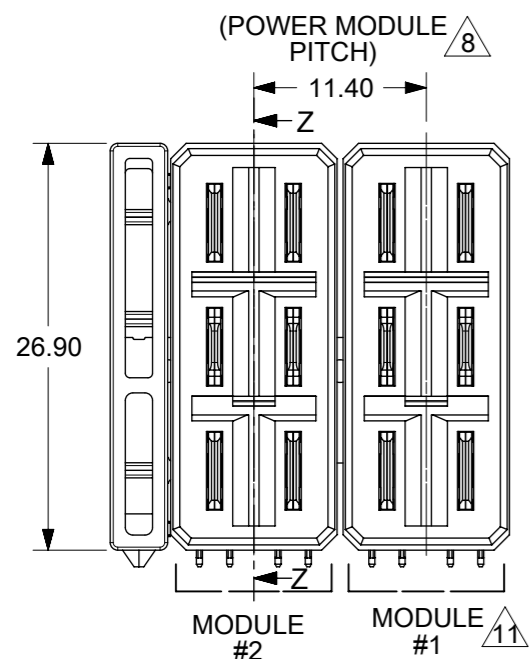
HEADER WITH RIGHT HOLD DOWN (FIG.2) ⁹

SYMBOLS	THIS DRAWING CONTAINS INFORMATION THAT IS PROPRIETARY TO MOLEX ELECTRONIC TECHNOLOGIES, LLC AND SHOULD NOT BE USED WITHOUT WRITTEN PERMISSION		CURRENT REV DESC: MIGRATION TO NX			
	DIMENSION UNITS	SCALE				
	MM ONLY		NTS			
	GENERAL TOLERANCES (UNLESS SPECIFIED)					
▽ = 0	ANGULAR TOL	±	3.0°	EC NO: 602221	IMPACT POWER, 6 PAIR HEADER WITH HOLD DOWN PRESS FIT PRODUCT CUSTOMER DRAWING	
▽ = 0	4 PLACES	±		DRWN: JSGOH01 2018/07/25		
▽ = 0	3 PLACES	±		CHK'D: SHONG 2018/08/07		
▽ = 0	2 PLACES	±	0.25	APPR: SHONG 2018/08/07	DOCUMENT NUMBER	
▽ = 0	1 PLACE	±		INITIAL REVISION:	SD-78353-001	
▽ = 0	0 PLACES	±		DRWN: LNG 2010/12/02	DOC TYPE	
▽ = 0	DRAFT WHERE APPLICABLE MUST REMAIN WITHIN DIMENSIONS		THIRD ANGLE PROJECTION	DRAWING	SERIES	DOC PART
▽ = 0				A3-SIZE	78353	REVISION
		MATERIAL NUMBER	CUSTOMER	SHEET NUMBER		
		SEE TABLE	GENERAL MARKET	1 OF 5		

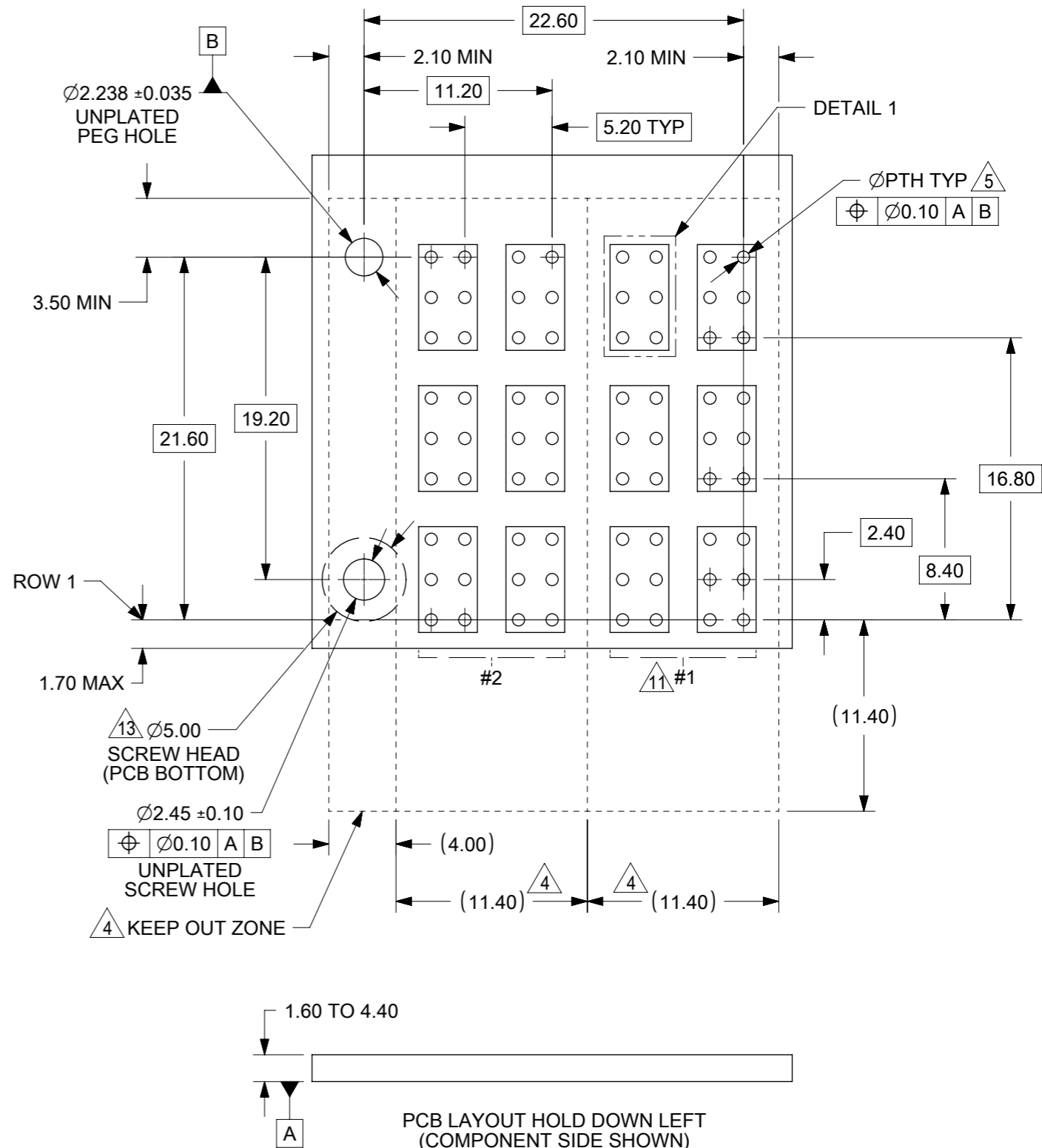
LEFT HOLD DOWN OPTION



SECTION Z-Z



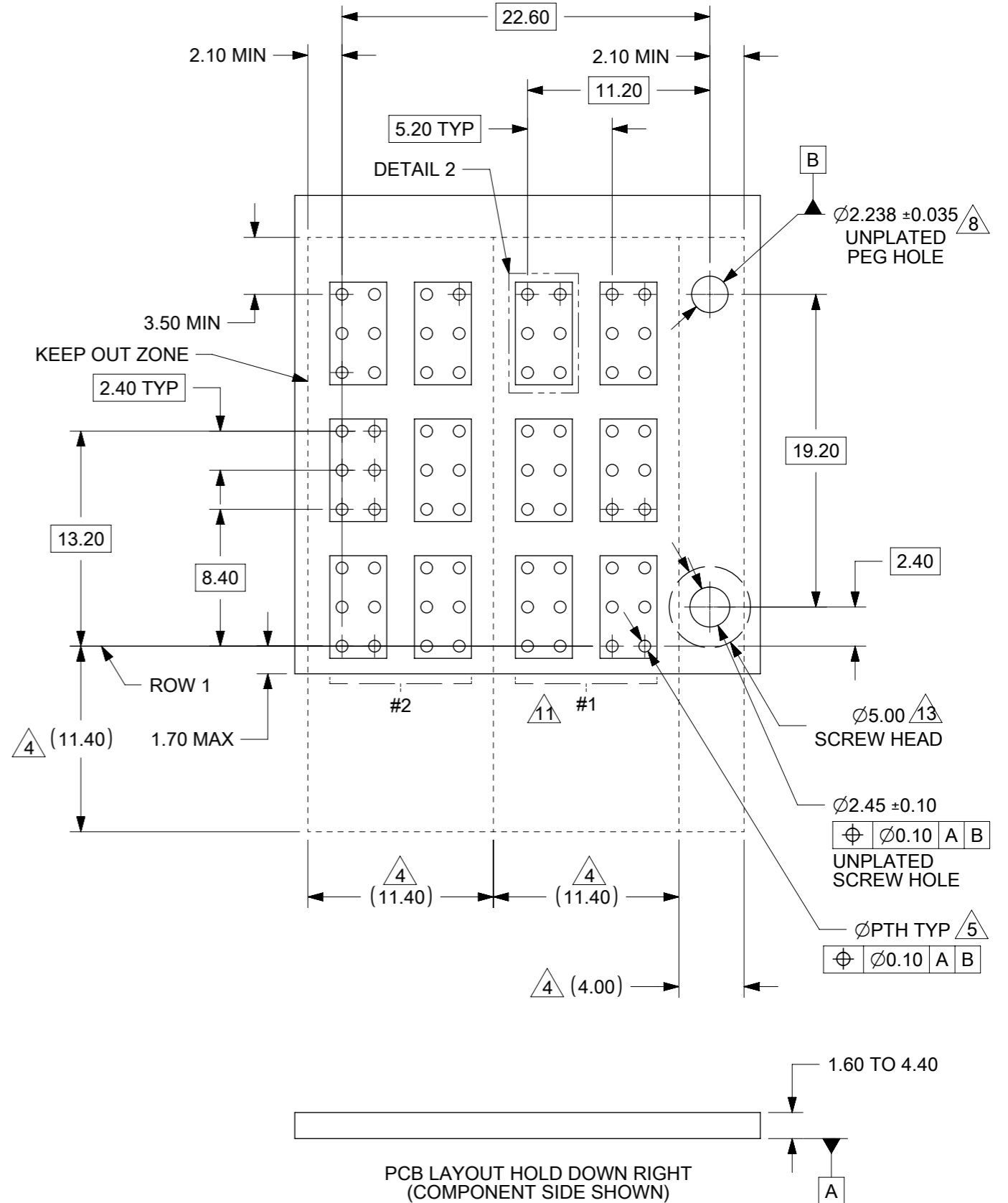
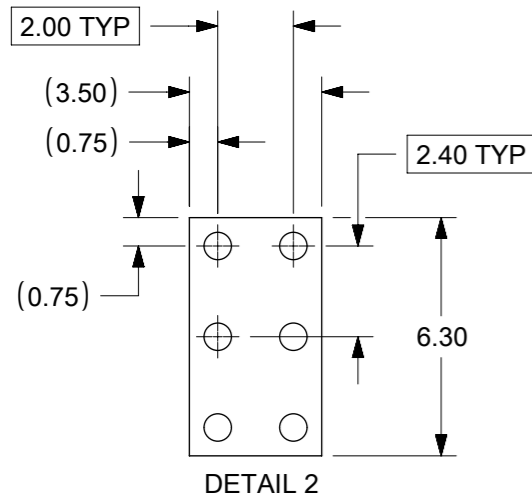
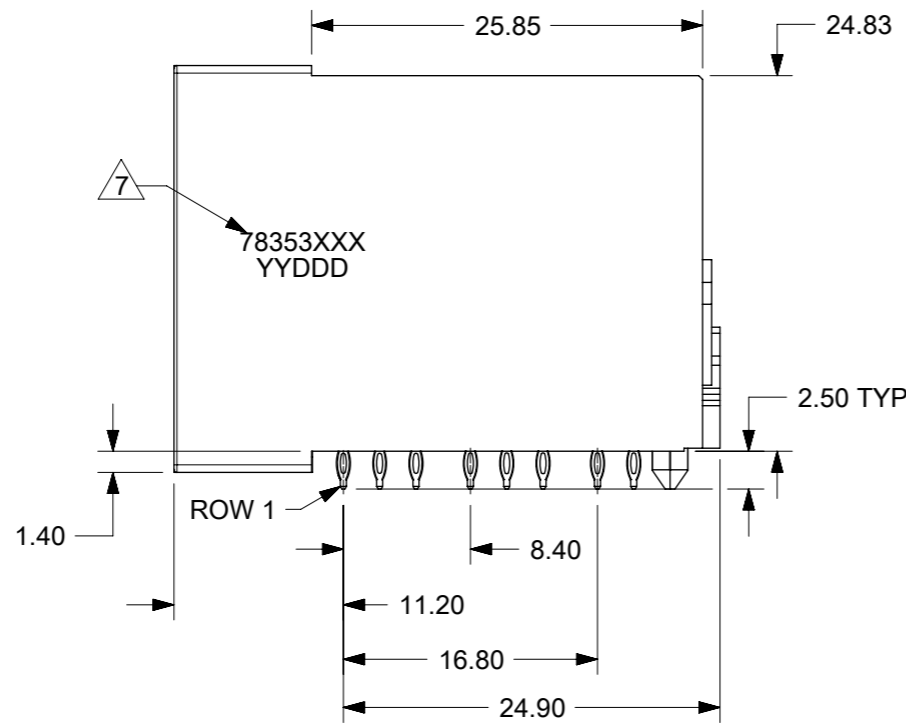
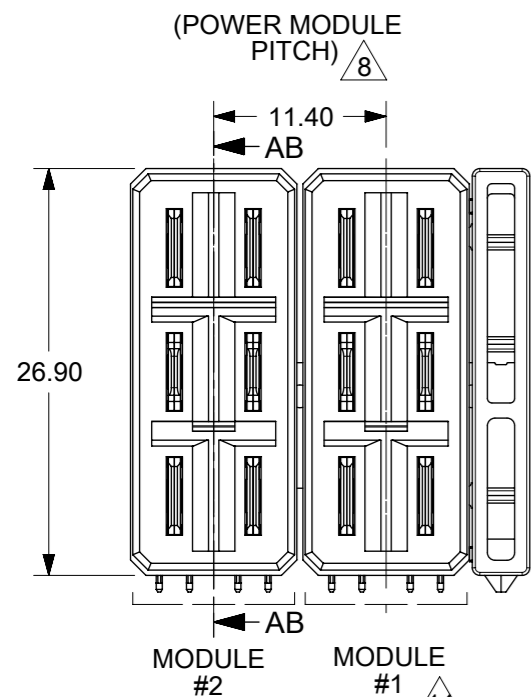
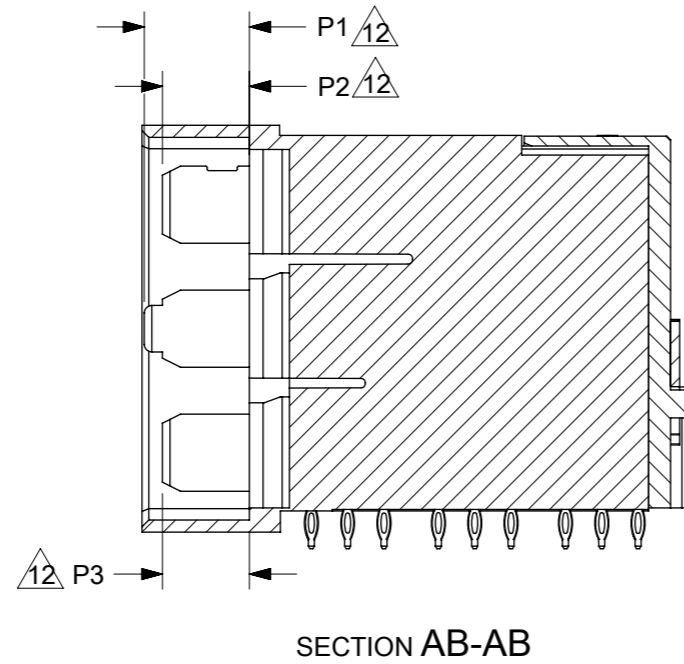
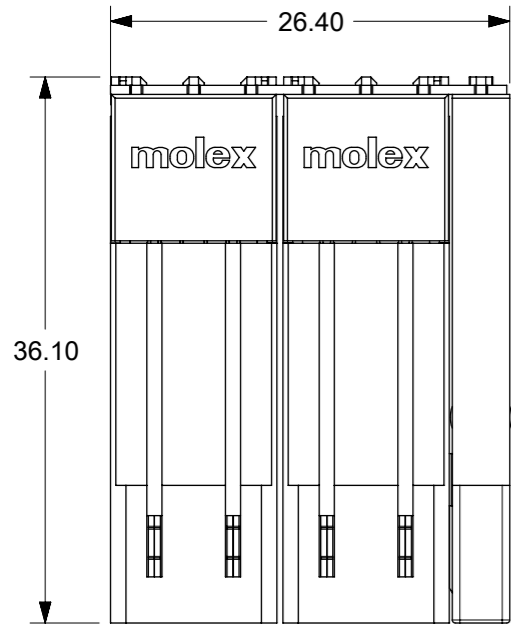
COPPER PAD REFERENCE DETAIL 1



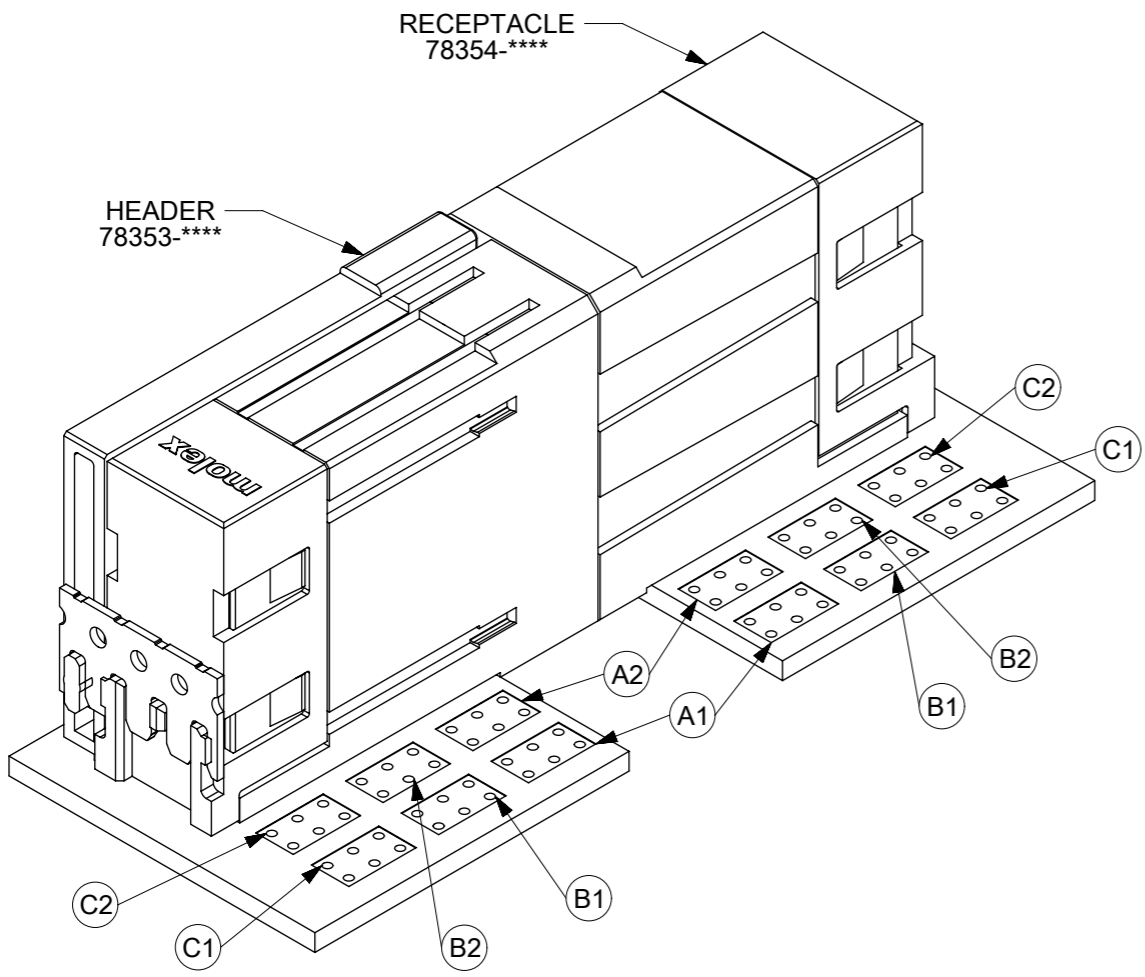
PCB LAYOUT HOLD DOWN LEFT (COMPONENT SIDE SHOWN)

SYMBOLS		THIS DRAWING CONTAINS INFORMATION THAT IS PROPRIETARY TO MOLEX ELECTRONIC TECHNOLOGIES, LLC AND SHOULD NOT BE USED WITHOUT WRITTEN PERMISSION	
▽ = 0	DIMENSION UNITS	SCALE	CURRENT REV DESC: MIGRATION TO NX
▽ = 0	MM ONLY	NTS	
▽ = 0	GENERAL TOLERANCES (UNLESS SPECIFIED)		
▽ = 0	ANGULAR TOL	± 3.0°	
▽ = 0	4 PLACES	±	
▽ = 0	3 PLACES	±	
▽ = 0	2 PLACES	± 0.25	
▽ = 0	1 PLACE	±	
▽ = 0	0 PLACES	±	
■ = 0	DRAFT WHERE APPLICABLE MUST REMAIN WITHIN DIMENSIONS		
▽ = 0	THIRD ANGLE PROJECTION	DRAWING	SERIES
		A3-SIZE	78353
		EC NO: 602221	2018/07/25
		DRWN: JSGOH01	2018/08/07
		CHK'D: SHONG	2018/08/07
		APPR: SHONG	2018/08/07
		INITIAL REVISION:	
		DRWN: LNG	2010/12/02
		APPR: KJKOH	2011/04/11
DOCUMENT NUMBER		DOC TYPE	DOC PART
SD-78353-001		PSD	001
MATERIAL NUMBER		CUSTOMER	SHEET NUMBER
SEE TABLE		GENERAL MARKET	2 OF 5

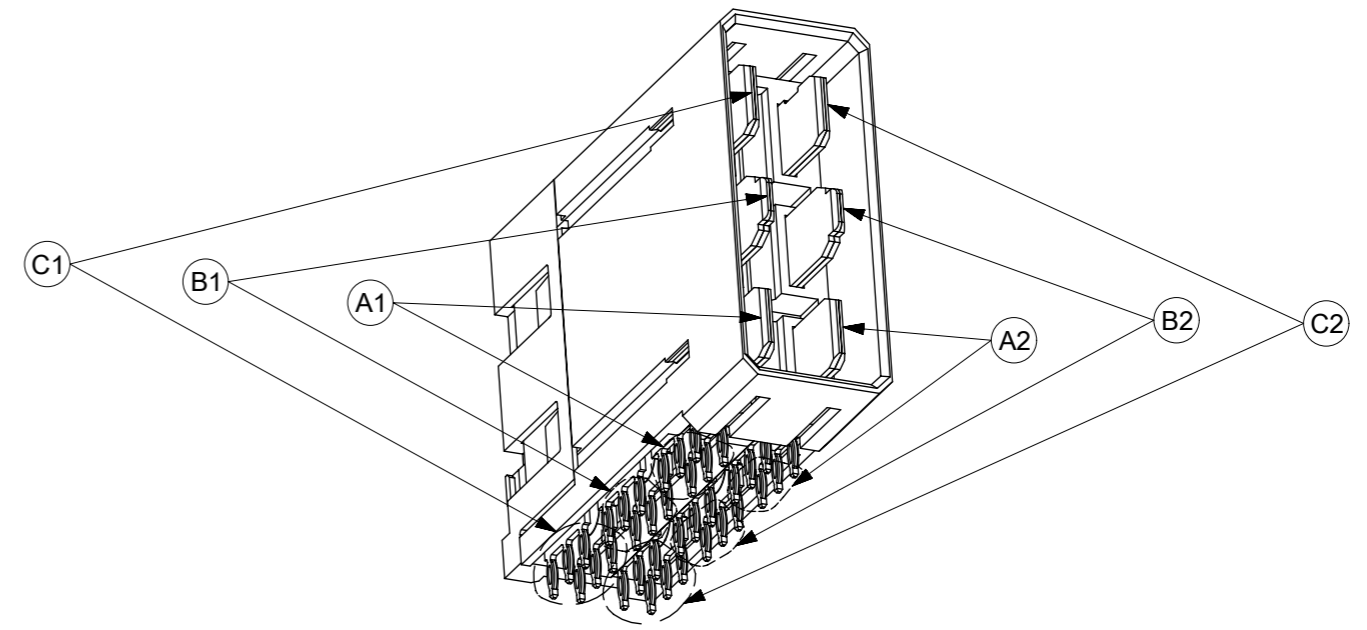
RIGHT HOLD DOWN OPTION



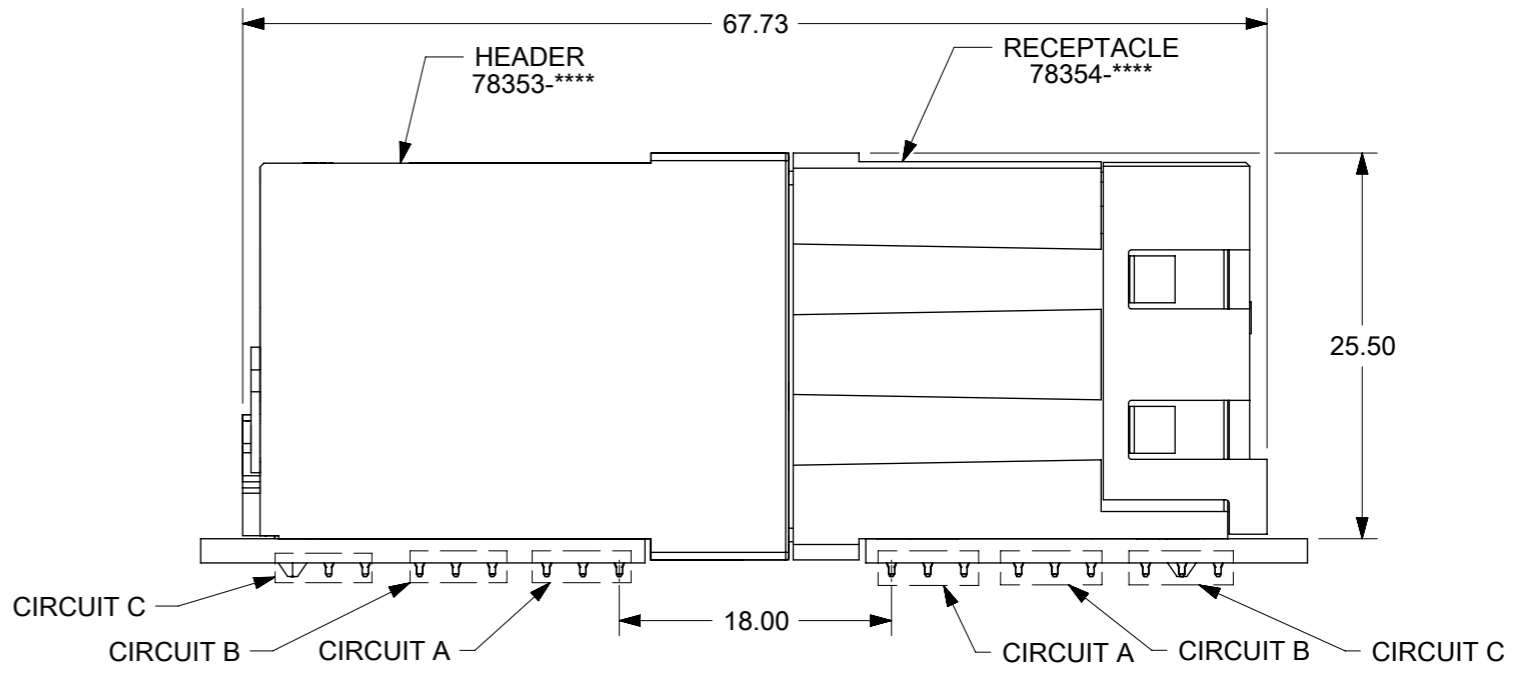
SYMBOLS		THIS DRAWING CONTAINS INFORMATION THAT IS PROPRIETARY TO MOLEX ELECTRONIC TECHNOLOGIES, LLC AND SHOULD NOT BE USED WITHOUT WRITTEN PERMISSION	
▽ = 0	DIMENSION UNITS	SCALE	CURRENT REV DESC: MIGRATION TO NX
▽ = 0	MM ONLY	NTS	
▽ = 0	GENERAL TOLERANCES (UNLESS SPECIFIED)		
▽ = 0	ANGULAR TOL	± 3.0°	
▽ = 0	4 PLACES	±	EC NO: 602221
▽ = 0	3 PLACES	±	DRWN: JSGOH01 2018/07/25
▽ = 0	2 PLACES	± 0.25	CHK'D: SHONG 2018/08/07
▽ = 0	1 PLACE	±	APPR: SHONG 2018/08/07
▽ = 0	0 PLACES	±	INITIAL REVISION:
▽ = 0	DRAFT WHERE APPLICABLE MUST REMAIN WITHIN DIMENSIONS	THIRD ANGLE PROJECTION	DRWN: LNG 2010/12/02
		DRAWING	APPR: KJKOH 2011/04/11
		SERIES	
		MATERIAL NUMBER	DOCUMENT NUMBER
		A3-SIZE	SD-78353-001
		78353	DOC TYPE
		SEE TABLE	PSD
		GENERAL MARKET	DOC PART
			001
			REVISION
			B5
			SHEET NUMBER
			3 OF 5



1 POWER MODULE REMOVED TO ILLUSTRATE CIRCUIT PATH OF MATED SYSTEM

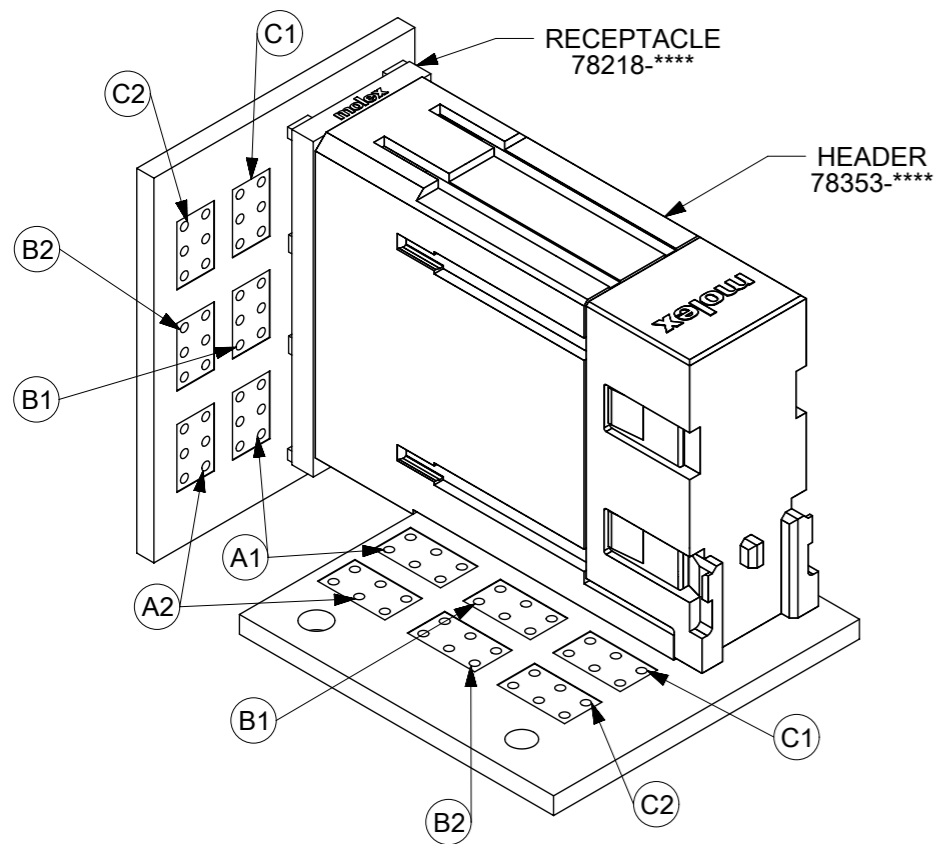


PIN NUMBER ASSIGNMENT BASED ON HEADER SIDE:
 A1, B1 ON THE LEFT
 A2, B2 ON THE RIGHT

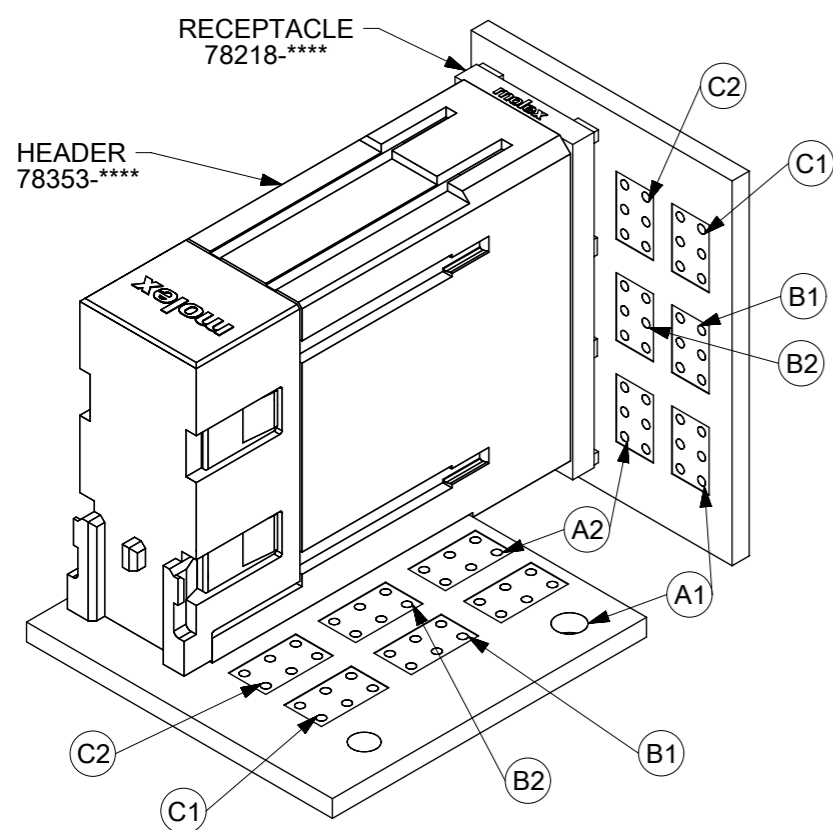


MATED SYSTEM OF 78353 & 78354

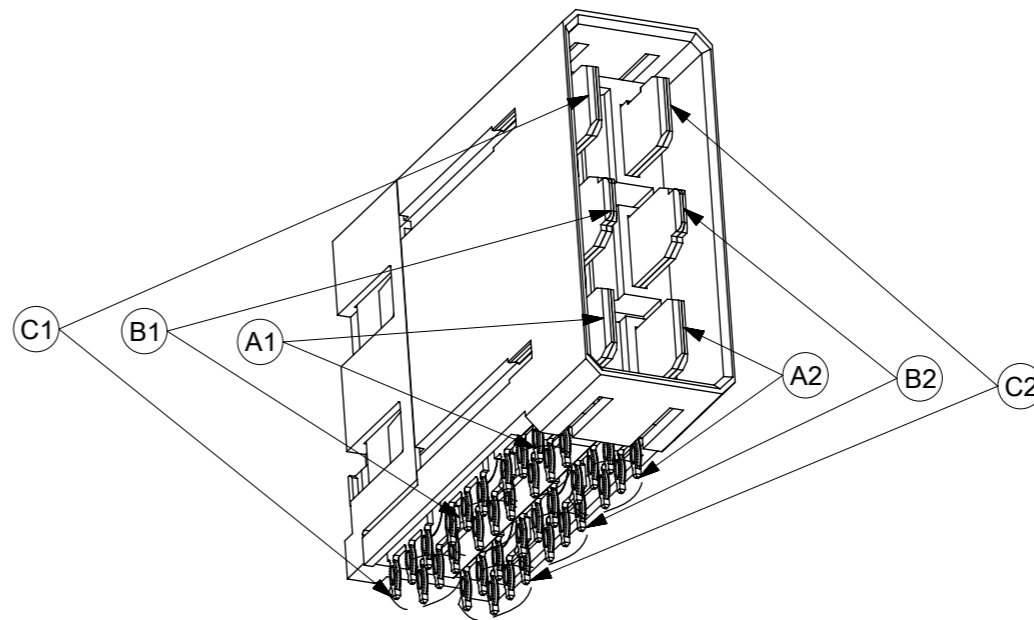
SYMBOLS DIMENSION UNITS: MM ONLY SCALE: NTS GENERAL TOLERANCES (UNLESS SPECIFIED): ANGULAR TOL: ± 3.0° 4 PLACES: ± 3 PLACES: ± 2 PLACES: ± 0.25 1 PLACE: ± 0 PLACES: ± DRAFT WHERE APPLICABLE MUST REMAIN WITHIN DIMENSIONS THIRD ANGLE PROJECTION:	THIS DRAWING CONTAINS INFORMATION THAT IS PROPRIETARY TO MOLEX ELECTRONIC TECHNOLOGIES, LLC AND SHOULD NOT BE USED WITHOUT WRITTEN PERMISSION CURRENT REV DESC: MIGRATION TO NX			
	EC NO: 602221 DRWN: JSGOH01 2018/07/25 CHK'D: SHONG 2018/08/07 APPR: SHONG 2018/08/07			
	INITIAL REVISION: DRWN: LNG 2010/12/02 APPR: KJKOH 2011/04/11		PRODUCT CUSTOMER DRAWING	
	DOCUMENT NUMBER: SD-78353-001 DOC TYPE: PSD DOC PART: 001 REVISION: B5		MATERIAL NUMBER: SEE TABLE CUSTOMER: GENERAL MARKET SHEET NUMBER: 4 OF 5	



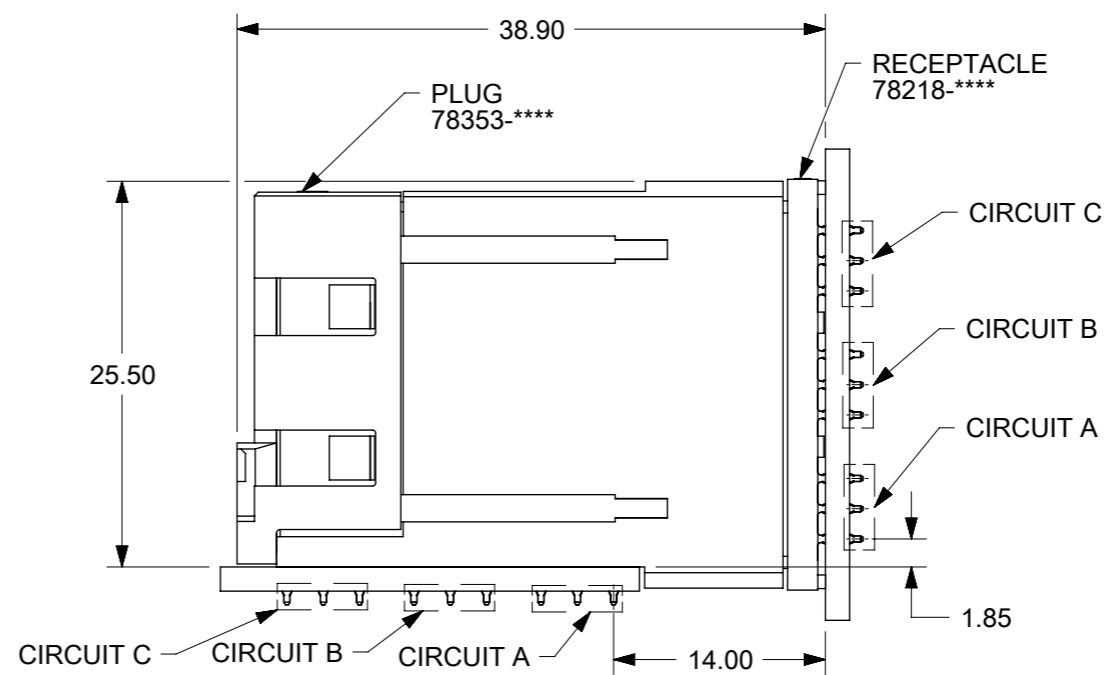
RIGHT HOLD DOWN:
1 POWER MODULE AND HOLD DOWN REMOVED TO
ILLUSTRATE CIRCUIT PATH OF MATED SYSTEM



LEFT HOLD DOWN:
1 POWER MODULE AND HOLD DOWN REMOVED TO
ILLUSTRATE CIRCUIT PATH OF MATED SYSTEM



PIN NUMBER ASSIGNMENT BASED ON HEADER SIDE:
A1, B1 ON THE LEFT
A2, B2 ON THE RIGHT



MATED SYSTEM OF 78218 & 78353

SYMBOLS		THIS DRAWING CONTAINS INFORMATION THAT IS PROPRIETARY TO MOLEX ELECTRONIC TECHNOLOGIES, LLC AND SHOULD NOT BE USED WITHOUT WRITTEN PERMISSION		CURRENT REV DESC: MIGRATION TO NX	
▽ = 0	DIMENSION UNITS	SCALE			
▽ = 0	MM ONLY	NTS			
▽ = 0	GENERAL TOLERANCES (UNLESS SPECIFIED)				
▽ = 0	ANGULAR TOL	± 3.0°			
▽ = 0	4 PLACES	±	EC NO: 602221		
▽ = 0	3 PLACES	±	DRWN: JSGOH01	2018/07/25	
▽ = 0	2 PLACES	± 0.25	CHK'D: SHONG	2018/08/07	
▽ = 0	1 PLACE	±	APPR: SHONG	2018/08/07	
▽ = 0	0 PLACES	±	INITIAL REVISION:		
▽ = 0	DRAFT WHERE APPLICABLE MUST REMAIN WITHIN DIMENSIONS		DRWN: LNG	2010/12/02	
▽ = 0			APPR: KJKOH	2011/04/11	
		THIRD ANGLE PROJECTION	DRAWING	SERIES	MATERIAL NUMBER
			A3-SIZE	78353	SEE TABLE
			CUSTOMER	GENERAL MARKET	
			DOCUMENT NUMBER		DOC TYPE
			SD-78353-001		PSD
			DOC PART		REVISION
			001		B5
			SHEET NUMBER		5 OF 5