

PART NAME MISSION CRITICAL CABINET

PART No. DC-8076

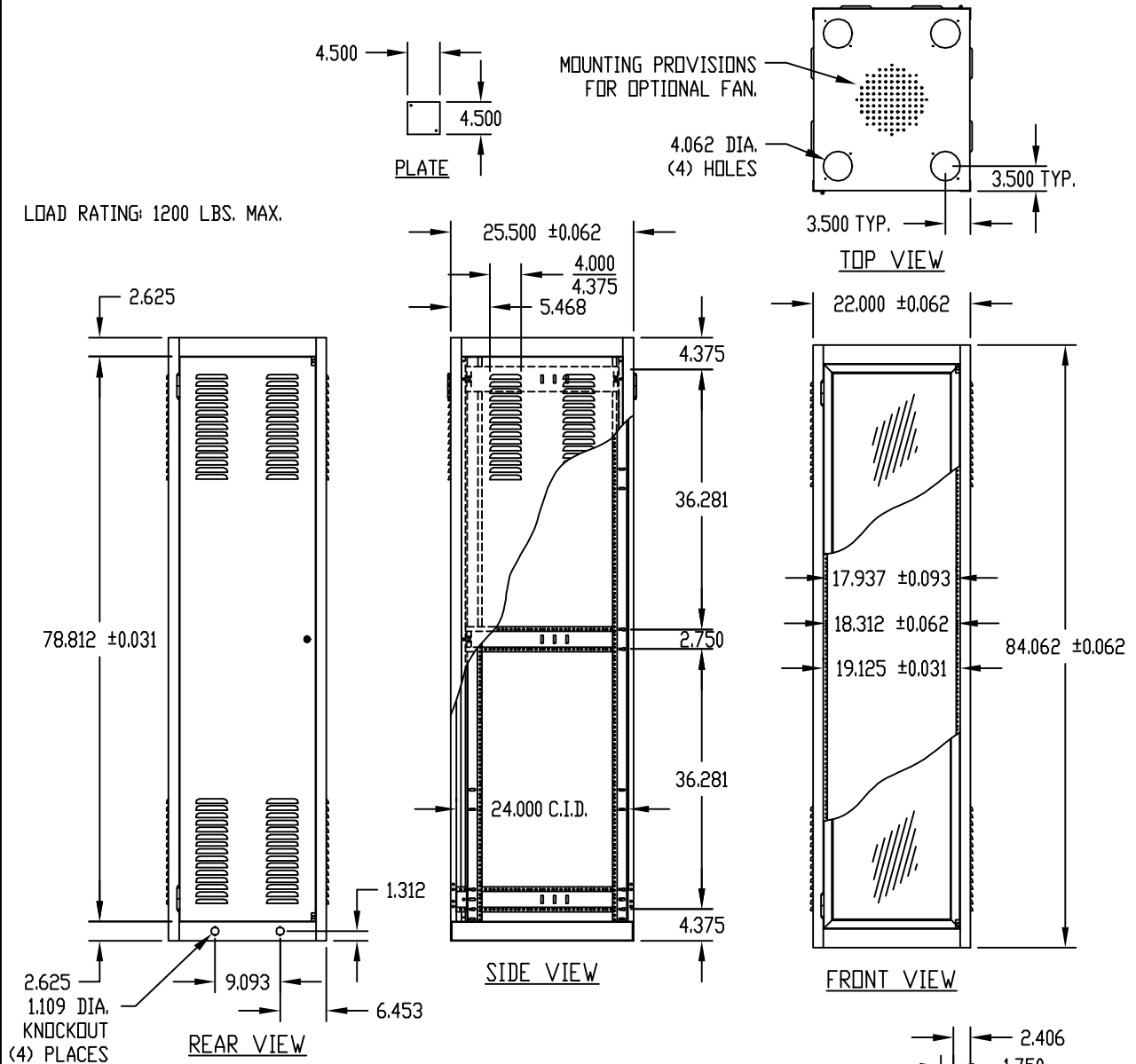
**MATERIAL:**

SIDES & REAR DOOR \_\_\_\_\_ 20 GA. STEEL  
 REAR DOOR STIFFENER \_\_\_\_\_ 18 GA. STEEL  
 TOP, BOTTOM, RAIL SUPPORTS, PLATES  
 & DOOR STOPS \_\_\_\_\_ 16 GA. STEEL  
 VERTICAL RAILS \_\_\_\_\_ 14 GA. STEEL  
 PANEL MOUNTING RAILS  
 & LEVELER MOUNTING BRACKETS \_\_\_\_\_ 12 GA. STEEL  
 PLEXIGLAS DOOR FRAME \_\_\_\_\_ ALUMINUM EXTRUSION  
 PLEXIGLAS PANEL \_\_\_\_\_ 3/16" THICK

**FINISH:**

FRAME ASSEMBLY, SIDES, PLATES,  
 REAR DOOR & REAR DOOR HINGES \_\_\_\_\_ WHITE TEXTURE  
 \_\_\_\_\_ BLACK TEXTURE  
 \_\_\_\_\_ METALLIC GRAY  
 PLEXIGLAS DOOR HINGES \_\_\_\_\_  
 PANEL MOUNTING RAILS, DOOR STOPS  
 & LEVELER MOUNTING BRACKETS \_\_\_\_\_ SMOOTH BLACK  
 PLEXIGLAS DOOR FRAME \_\_\_\_\_ CLEAR ANODIZED  
 PLEXIGLAS PANEL \_\_\_\_\_ SMOKE GRAY

LOAD RATING: 1200 LBS. MAX.



**NOTES:**

- ① PANEL MOUNTING RAILS TAPPED #10-32 ON E.I.A. UNIVERSAL SPACING AND ARE FULLY ADJUSTABLE.
- ② MOUNTING HOLES PIERCED IN BASE FOR #RL-7770 LEVELER KIT. LEVELER KIT WILL RAISE CABINET RACK APPROXIMATELY 1.188 INCHES OFF THE FLOOR.
- ③ LEVELER KIT TO BE SHIPPED UNASSEMBLED, PACKED INSIDE RACK.
- ④ SIDES SHIPPED ASSEMBLED WITH TEMPORARY NYLON PUSH FASTENERS. CUSTOMER TO DO FINAL ASSEMBLY WITH #7346 SCREWS AND #295 NUT RETAINERS PROVIDED IN HARDWARE.

9.561 SQUARE CUTOUT

