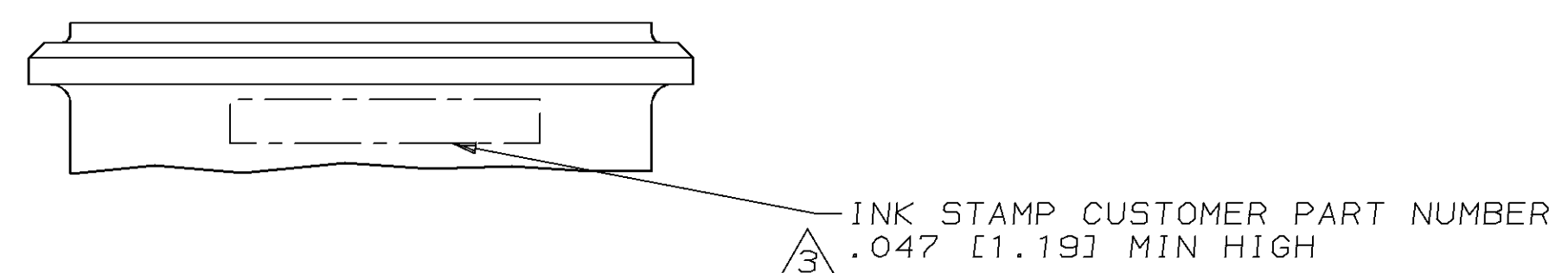
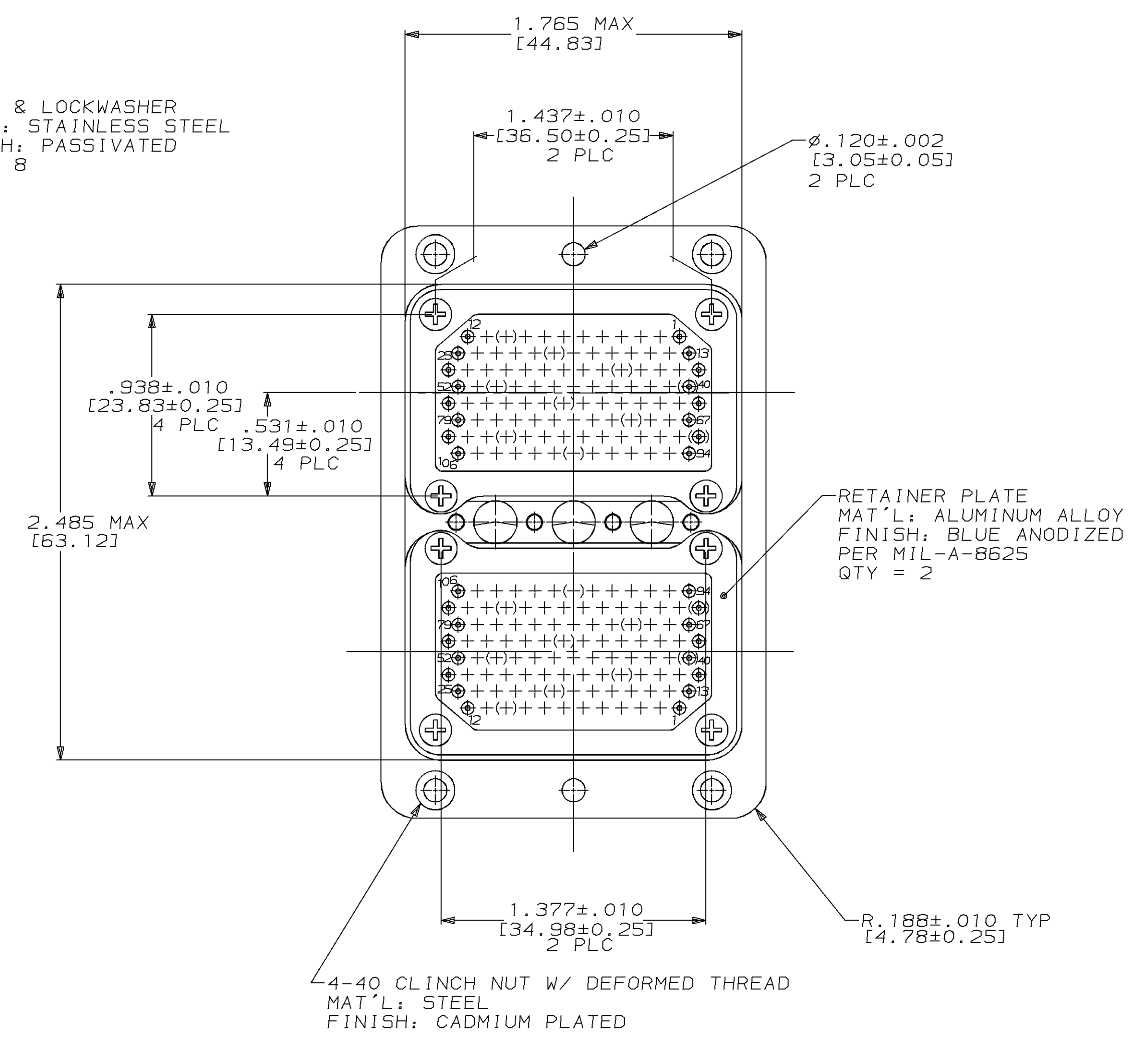
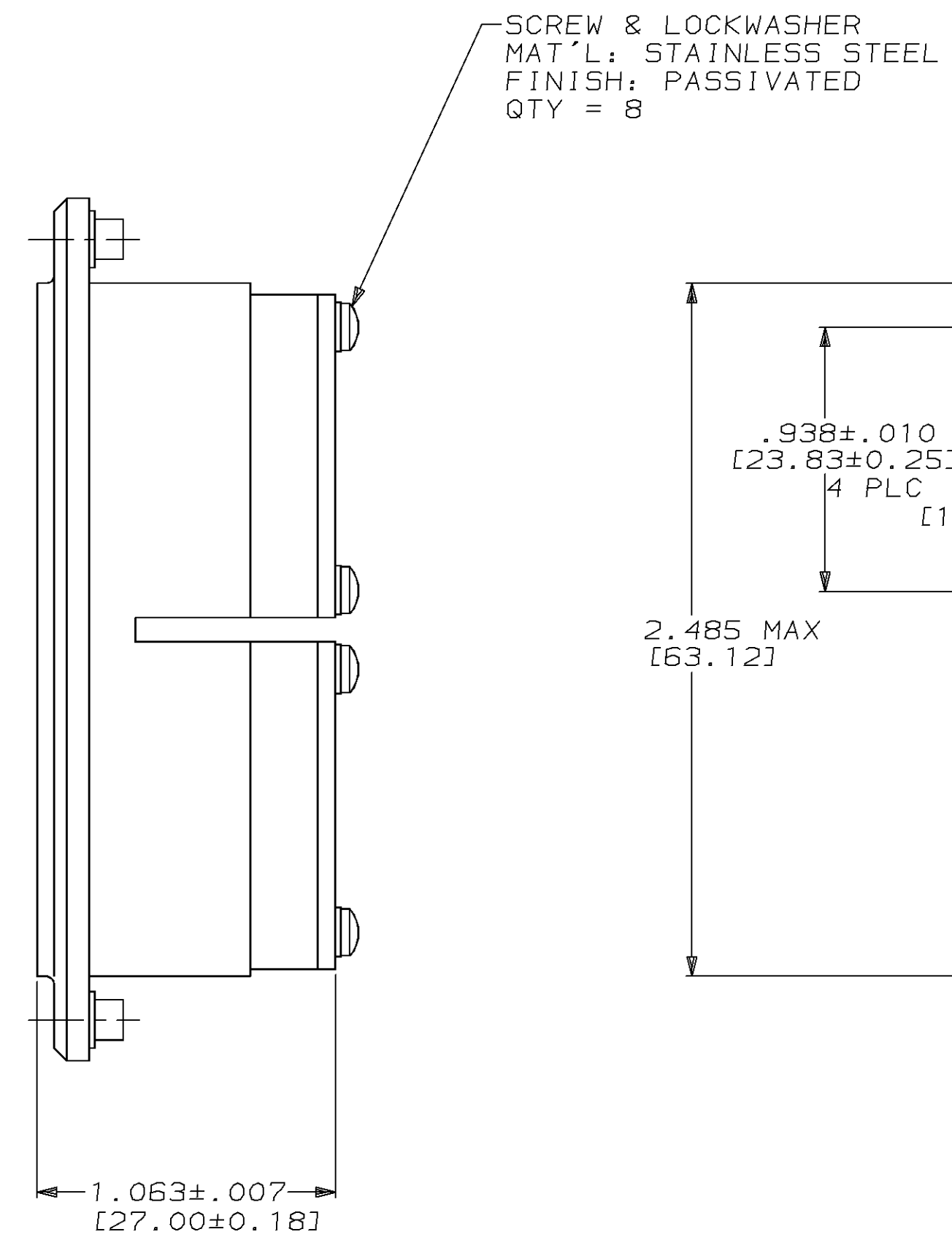
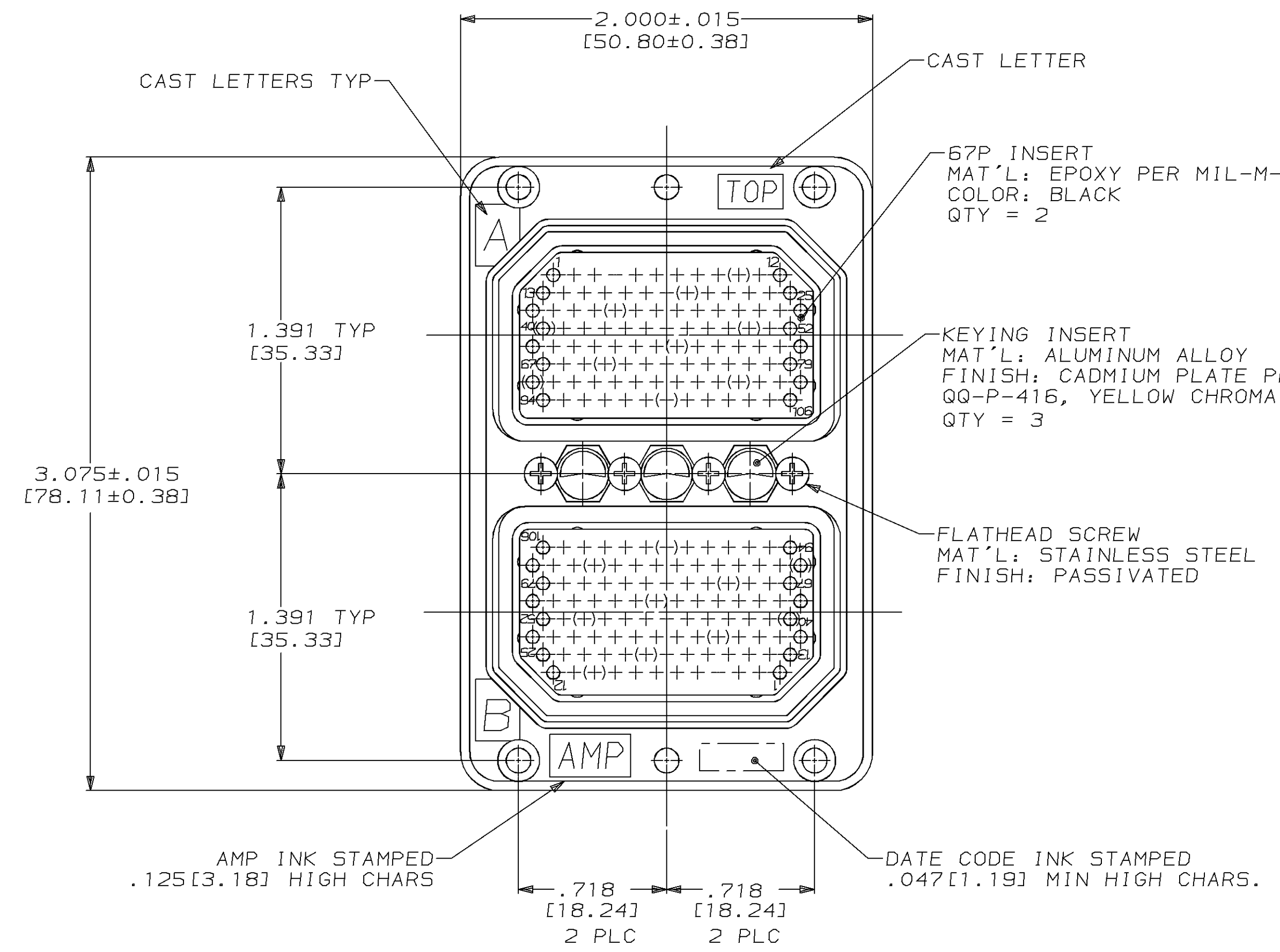
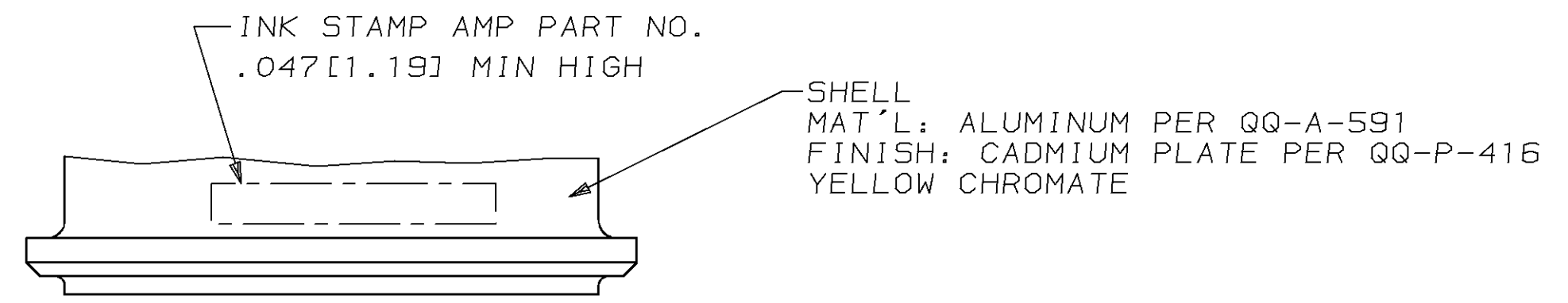


LOC		DIST		REVISIONS			
DF	AO	P	LYR	DESCRIPTION	DATE	DMN	APVD
		0		DRAWN PER 0600-3080-94	12-06-94	TT	KG



- CONTACTS ARE PRELOADED INTO THE CONNECTOR.
- KEYING SHOWN IN POSITION "01".
- THE CONNECTOR SHALL BE MARKED WITH THE MCDONNELL DOUGLAS CONTROL NUMBER "B33B0145-1".

DIMENSIONS		TOLERANCES UNLESS OTHERWISE SPECIFIED		DWN		AMP Incorporated	
IN (mm)				CHK	DATE	NAME	Harrisburg, PA 17105-3608
0 PLC	±	0	±	T. THOMPSON	12-02-94		
1 PLC	±	1	±	K. GUARAGNO	12-02-94		
2 PLC	±	2	±				
3 PLC	± .005 (0.13)	3	±				
4 PLC	±	4	±				
ANGLES	±		±				
FINISH							

MATERIAL		WEIGHT		SIZE		CAGE CODE		DRAWING NO	
				A1		00779		443098	
CUSTOMER DRAWING				SCALE		SHEET		REV	
				2:1		1 OF 1		0	