

THIS DRAWING IS UNPUBLISHED. RELEASED FOR PUBLICATION
 © COPYRIGHT BY TYCO ELECTRONICS CORPORATION. ALL RIGHTS RESERVED.

LOC	DIST	REVISIONS			
P	LTR	DESCRIPTION	DATE	DWN	APVD
FT	0	E2	REVISED PER ECO-07-002943	2/13/07	SS GS

#4-40 UNC-2A SCREW
 MATERIAL: CARBON STEEL
 FINISH: ZINC PLATED
 1 EACH

FIXED CABLE CLAMP
 MATERIAL: CARBON STEEL
 FINISH: 5.08µm [.000200]
 MIN NICKEL
 1 EACH

#4-40 UNC-2A SCREW
 MATERIAL: CARBON STEEL
 FINISH: ZINC PLATED
 2 EACH

RIVET
 MATERIAL: STEEL
 FINISH: NICKEL PLATED
 2 EACH

#4-40 UNC-2A SCREW
 MATERIAL: CARBON STEEL
 FINISH: ZINC PLATED
 2 EACH

CABLE CLAMP
 MATERIAL: CARBON STEEL
 FINISH: 5.08µm [.000200]
 MIN NICKEL
 1 EACH

SHIELD
 MATERIAL: CARBON STEEL
 FINISH: 5.08µm [.000200]
 MIN NICKEL
 2 EACH

AMP 202798-1
 XXXX

AMP, PART NUMBER AND DATE CODE,
 INK STAMPED IN THIS AREA.

69.85
 [2.750]

30.48
 [1.200]

70.36
 [2.770]


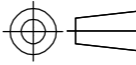
46.86
 [1.845]

32°

△1 ACCOMMODATES 20.32-30.48 [.800-1.200] DIAMETER CABLE.

△2 ZINC PLATING WITH HEXAVALENT CHROMATE COATING.

△3 ZINC PLATING WITHOUT HEXAVALENT CHROMATE COATING.

THIS DRAWING IS A CONTROLLED DOCUMENT.		DWN	D.HARDY	07 SEP 95	 Tyco Electronics Corporation Harrisburg, PA 17105-3608		
DIMENSIONS:		CHK	R.STONE	12 SEP 95			
mm	TOLERANCES UNLESS OTHERWISE SPECIFIED:	APVD	G.STEINHAUER	05 OCT 95			
	0 PLC ± - 1 PLC ± - 2 PLC ± 0.38 [.015] 3 PLC ± - 4 PLC ± - ANGLES ± - FINISH SEE CALLOUTS	PRODUCT SPEC	NAME			SHIELD KIT, UNASSEMBLED, 160 POSITION, M SERIES	
MATERIAL	SEE CALLOUTS	APPLICATION SPEC	SIZE	CAGE CODE	DRAWING NO		RESTRICTED TO
SEE CALLOUTS		WEIGHT	A2 00779		C=202798	-	
CUSTOMER DRAWING		SCALE	2:1		SHEET	1 of 1	REV E2