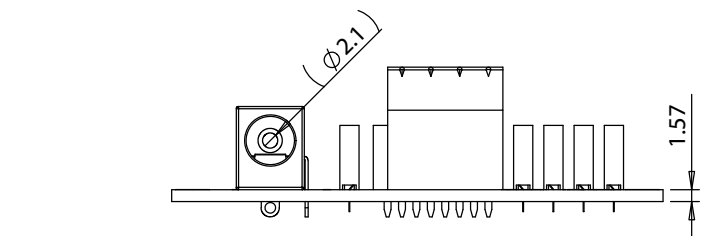
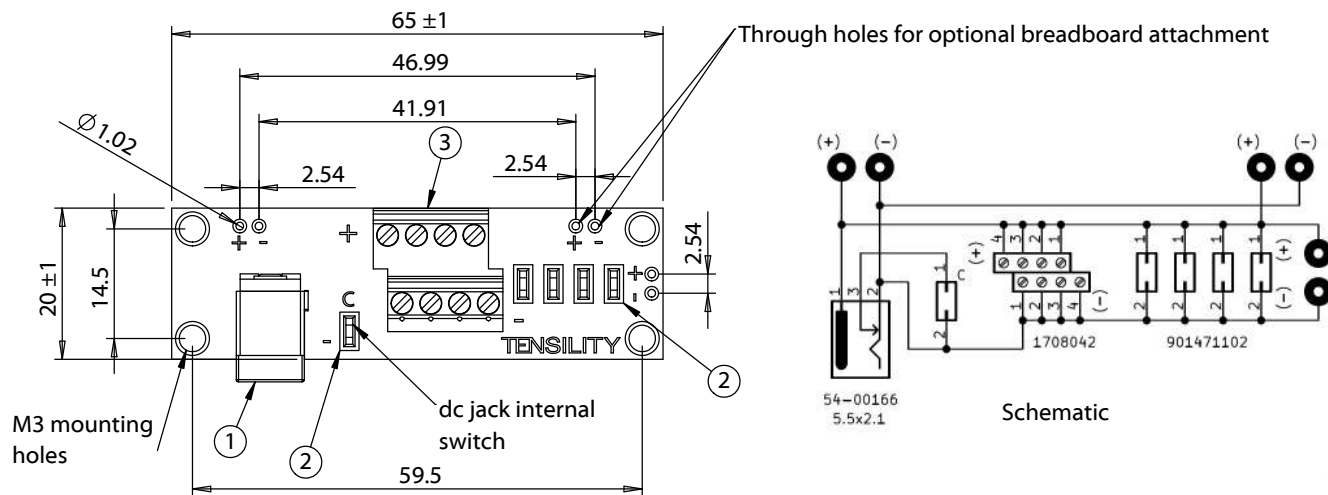
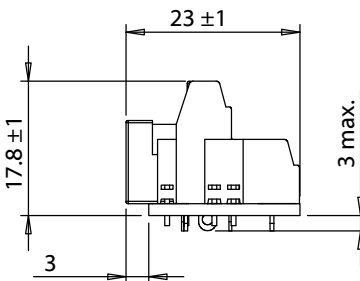
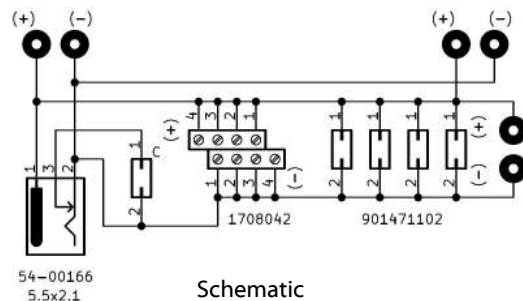


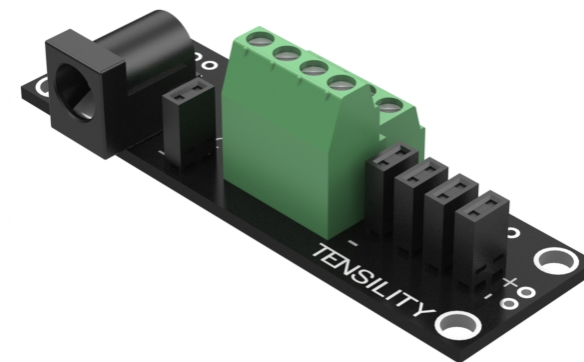
ITEM NO.	PART NUMBER	DESCRIPTION	QTY.	COMPONENT NOTES
1	54-00166	Connector, dc jack 5.5x2.1 mm, PCB mount, 90°, nickel plated, PBT, thru hole	1	
2	901471102	Receptacle, 2 position, 0.1" Tin PCB	5	Or functional equivalent, 3 A
3	1708042	Terminal block, 4 position, 6 A, screw connection, 16 - 26 AWG	1	Or functional equivalent, 6 A
4	64-00000	PCB, 65x20x1.57 mm, M3 mounting holes	1	black




Notes:
 Distribution board does not regulate voltage or current
 Max voltage: 48 V
 Max operating temperature: 70 °C



Board max current: 6 A	
Connector	Current rating
54-00166	6 A
1708042	6 A
901471102	3 A
Through hole	1 A



Revision:	Date:	Description:	Prepared:	Notes:	<h1>TENSILITY</h1>
A	4/10/2020	Initial release	AG <small>Digitally signed by AG Date: 2020.04.13 11:42:17 -07'00'</small>		
			Verified:	Function test: no open, no short circuit, no intermittent	tel 1.541.323.3228 800 877.670.7118 fax 1.541.323.4202 web tensility.com
			Dimensions are in millimeters. Tolerances: X: ± 0.5 mm X.X: ± 0.3 mm X.XX: ± 0.1 mm	Description: PCB Assembly, dc distribution, 5.5x2.1 jack to 4 pole terminal block + 4x 0.1" 2 pos recept	Size: Part number: A 60-00000
					Scale: 1:1  Sheet 1 of 1

5

4

3

2

1