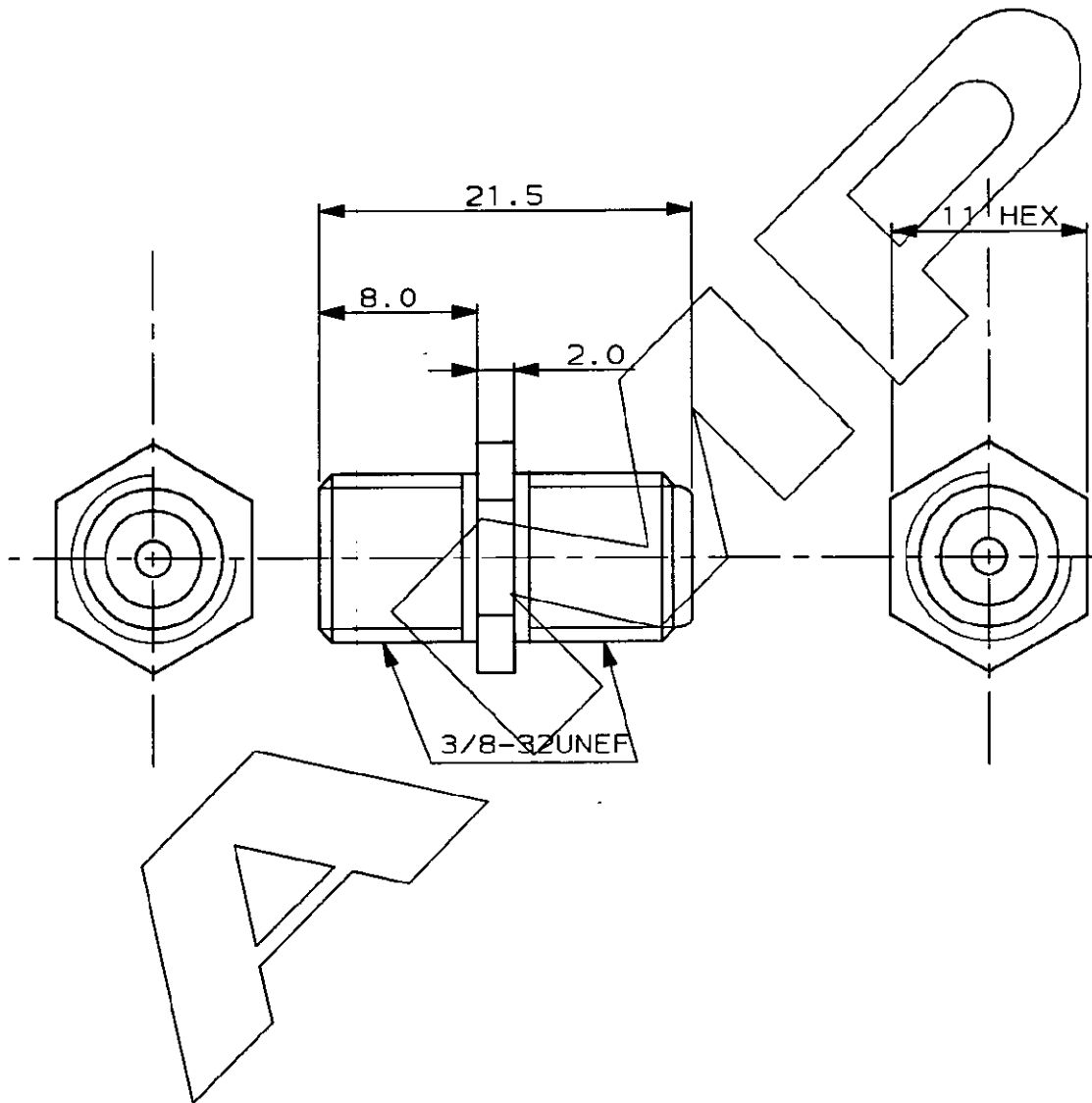


SCALA NON IMPEGNATIVA
(DO NOT SCALE)
DIMENSIONI IN mm
(DIMENSIONS IN mm)

METRIC

PROIEZIONE EUROPEA
(EUROPEAN PROJECTION)

A
B
C
D



- 1) PERFORMANCE AS PER AMP SPEC. 108-20168
- 2) P/N 282938-1: 100 PIECES FOR BAG

P/N 282938-2 AS SHOWN

		CUSTOMER DRAWING FOR REFERENCE ONLY		DISEGNO PER CLIENTE SOLO PER RIFERIMENTO	
		THIS DRAWING IS UNPUBLISHED		RELEASE FOR PUBLICATION 19	
		© COPYRIGHT 19 BY AMP INCORPORATED, HARRISBURG, PA. ALL INTERNATIONAL RIGHT RESERVED. AMP PRODUCTS MAY BE COVERED BY U.S. AND FOREIGN PATENT AND/OR PATENT PENDING			
		TOLLERANZE, SE NON DIVERSAMENTE SPECIFICATO (TOLERANCES, UNLESS OTHERWISE SPECIFIED)		DIAM. ISOLANTE (INS. DIA. RANGE)	
		± 0.3		RANGO FILO (WIRE RANGE)	
		ANGOLI (ANGLES) ± 2°		SCALA (SCALE) 2.5:1	
		DIS. 16 MAY 96 (DR.) M. COLOMBO		AMP AMP ITALIA S.p.A. Corso F.lli Cervi, 15 COLLEGNO (TORINO)	
		CONT. 16 MAY 96 (CHK) L. MARCHITTO			
		DESCRIZIONE (DESCRIPTION) FEMALE/FEMALE "F" SPLICE			
		REV. 16 MAY 96 (APP.) C. MARTINS		LOC. SIZE NUMERO (DWG NO) I A4 C-282938	
		REVISIONI (REVISION RECORD)		REV. FOGLIO (SHEET) B 1 01 (OF) 1	

DISTRIBUZIONE (PRINT DIST.)