

4

3

2

1

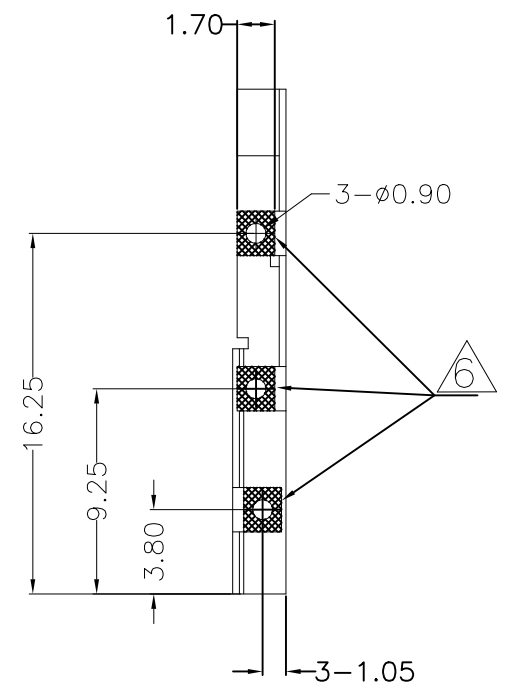
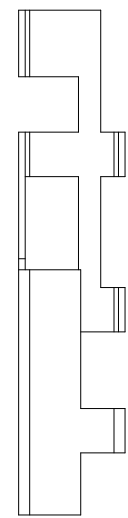
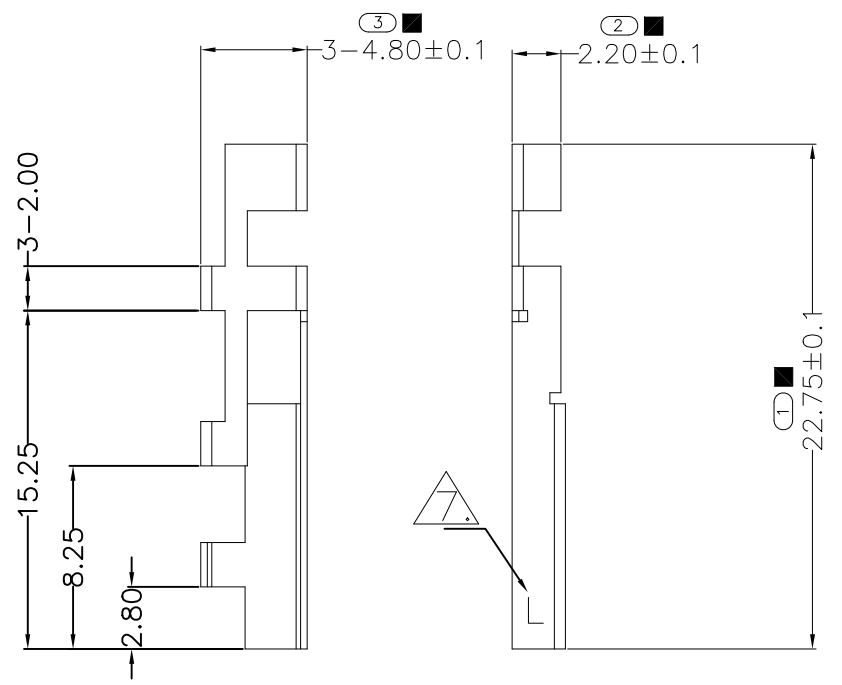
THIS DRAWING IS UNPUBLISHED. RELEASED FOR PUBLICATION 20  
 © COPYRIGHT 20 BY TYCO ELECTRONICS CORPORATION. ALL RIGHTS RESERVED.

LOC	DIST	REVISIONS			
P	LTR	DESCRIPTION	DATE	DWN	
DS	-	SEE SHEET 2			

INSPECTION ITEM NO.  
 SHEET 1 : ① ~ ③  
 ◀:6sigma CONTROLLED DIMENSION  
 ■:QIP INSPECTION ITEM

GENERAL TOLERANCE : ±0.2

D



D

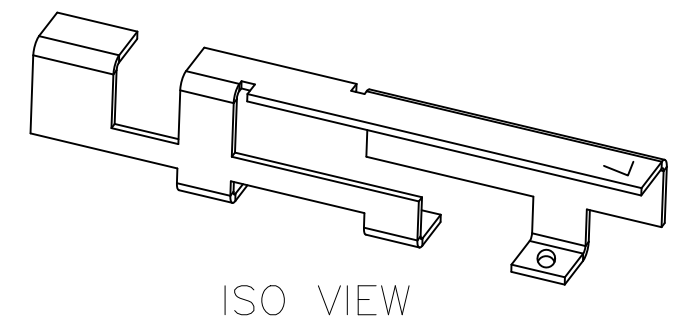
C

C

B

NOTE

- Material : SUS 304 1/2H
  - Thickness : 0.3 t
  - Ni-Plating 1.0~5.0 micro meter  
Overplated with Sn-plating 1.0~5.0 micro meter
  - Cutting Burr : 0.1mm MAX
  - Coplanarity : 0.1mm MAX
- ⑥ SMD Area  
 ⑦ Stamping Specification : Intaglio "L"



B

A

<small>THIS DRAWING IS A CONTROLLED DOCUMENT FOR TYCO ELECTRONICS CORPORATION          IT IS SUBJECT TO CHANGE AND THE CONTROLLING ENGINEERING ORGANIZATION          SHOULD BE CONTACTED FOR THE LATEST REVISION.</small>		DWN JH.LIM 26-SEP-12 CHK JH.LIM 26-SEP-12 APVD JH.LIM 26-SEP-12	TE Connectivity		
DIMENSIONS: mm	TOLERANCES UNLESS OTHERWISE SPECIFIED: GENERAL TOLERANCE IS ±0.1 0-PLC ± 1-PLC ± 2-PLC ± 3-PLC ± 4-PLC ± ANGLES ±	PRODUCT SPEC APPLICATION SPEC WEIGHT	NAME DUAL BAND WiFi ANTENNA, STAMPED METAL, SMD TYPE		
MATERIAL -	FINISH -	CUSTOMER DRAWING	SIZE A3 CAGE CODE 300779 DRAWING NO. C-2108517-2	RESTRICTED TO -	SCALE 3:1 SHEET 1 OF 2 REV A5

A

4

3

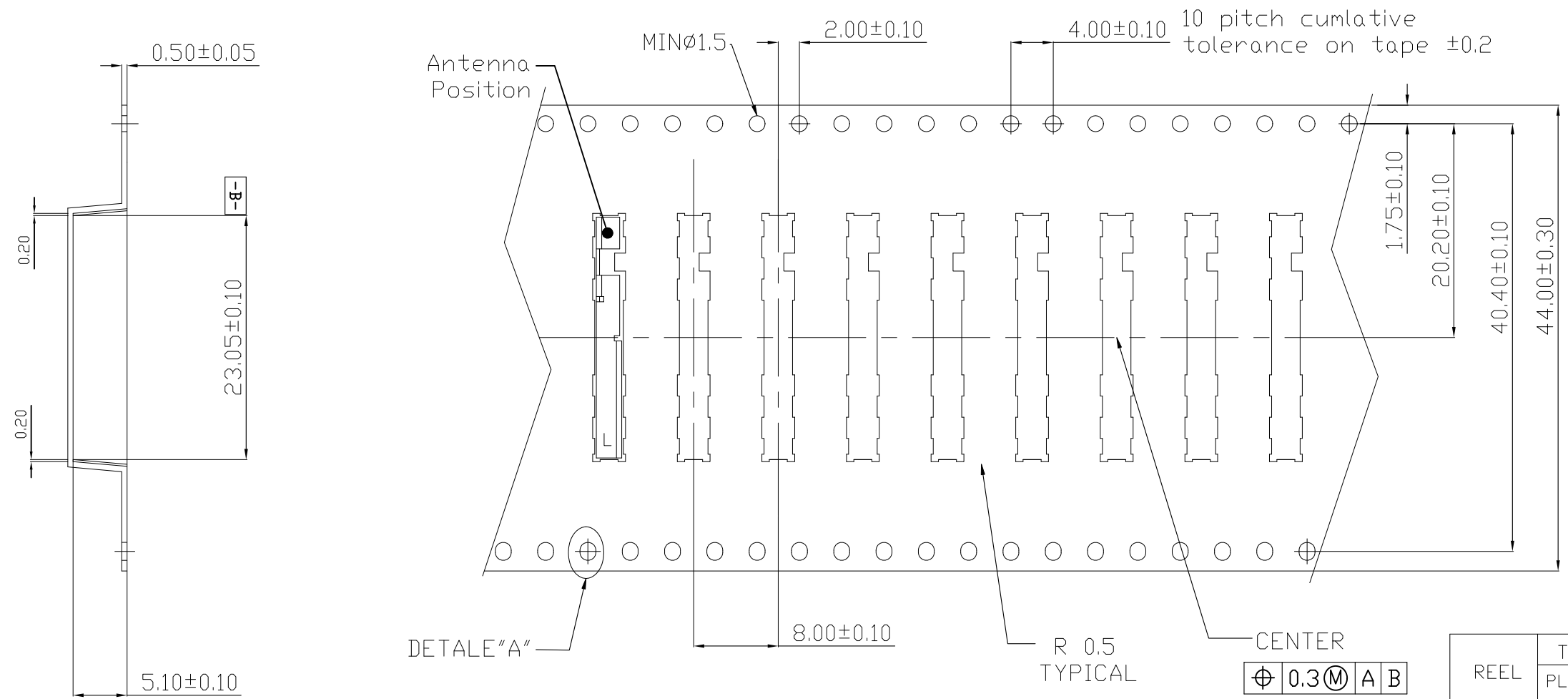
2

1

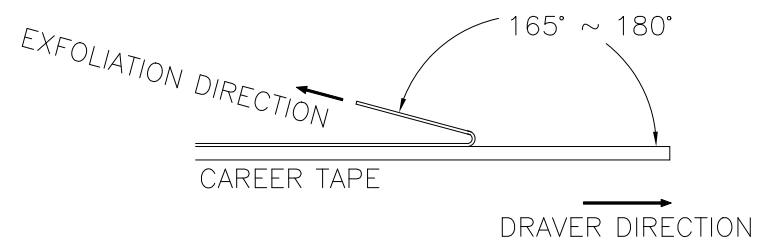
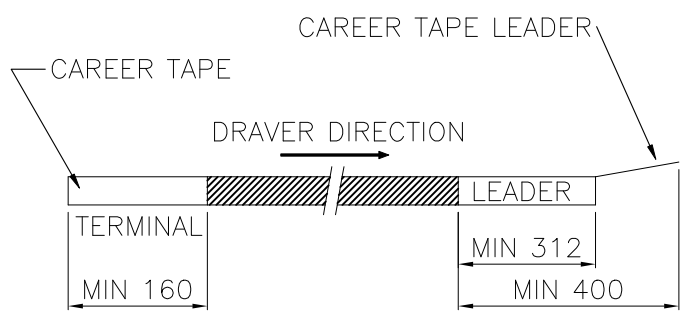
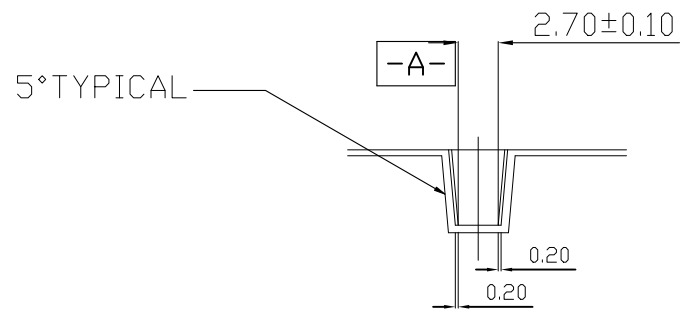
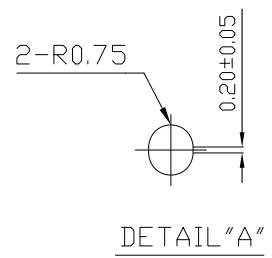
THIS DRAWING IS UNPUBLISHED. RELEASED FOR PUBLICATION 20  
 © COPYRIGHT 20 BY TYCO ELECTRONICS CORPORATION. ALL RIGHTS RESERVED.

LOC	DIST	REVISIONS				
DS	-	P	LTR	DESCRIPTION	DATE	DWN
		A5		Updated description of Part name	2019.03.07	DW

GENERAL TOLERANCE : ±0.2



REEL	TYPE	COLOR	HUB	SIZE
	PLASTIC	BLACK	80	330
SHEET	CL 44mmX0.5t	POCKET COUNTER	1,500 POCKET	



1. APPLICABLE HDR P/N: TBD
2. PACKING Q'TY : 1500EA/ REEL
3. EXFOLIATION STRENGTH OF COVER TAPE : 0.1 ~ 1.27N (10~130gf)
4. MATERIAL : CAREER TAPE : PS 0.4T  
COVER TAPE : PET 0.08T  
PLASTIC REEL : PS (CONDUCTIVE)

THIS DRAWING IS A CONTROLLED DOCUMENT FOR TYCO ELECTRONICS CORPORATION IT IS SUBJECT TO CHANGE AND THE CONTROLLING ENGINEERING ORGANIZATION SHOULD BE CONTACTED FOR THE LATEST REVISION.

DIMENSIONS: mm	TOLERANCES UNLESS OTHERWISE SPECIFIED: GENERAL TOLERANCE IS ±0.1	DWN JH.LIM 26-SEP-12	TE Connectivity	NAME DUAL BAND WiFi ANTENNA, STAMPED METAL, SMD TYPE				
	0-PLC ± 1-PLC ± 2-PLC ± 3-PLC ± 4-PLC ± ANGLES ±	CHK JH.LIM 26-SEP-12			SIZE A3	CAGE CODE 300779	DRAWING NO C-2108517-2	RESTRICTED TO -
		APVD JH.LIM 26-SEP-12			SCALE 2:1	SHEET 2 OF 2	REV A5	

MATERIAL - FINISH - APPLICATION SPEC - WEIGHT - CUSTOMER DRAWING