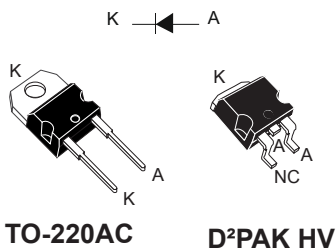


## 650 V, 10 A low $V_F$ power Schottky silicon carbide diode



### Features

- No or negligible reverse recovery
- Switching behavior independent of temperature
- Dedicated to PFC applications
- High forward surge capability
- Operating  $T_j$  from  $-40\text{ °C}$  to  $175\text{ °C}$
- D<sup>2</sup>PAK HV creepage distance (anode to cathode) = 5.38 mm min.
- **ECOPACK2** compliant component

### Applications

- DC/DC converter
- High frequency inverter
- Snubber
- Boost PFC function

### Description

This 10 A, 650 V SiC diode is an ultra high performance power Schottky diode. It is manufactured using a silicon carbide substrate. The wide band gap material allows the design of a Schottky diode structure with a 650 V rating. Due to the Schottky construction, no recovery is shown at turn-off and ringing patterns are negligible. The minimal capacitive turn-off behavior is independent of temperature.

Housed in D<sup>2</sup>PAK HV, this diode is perfectly suited for a usage in PFC applications, in charging station, DC/DC, easing the compliance to IEC-60664-1.

#### Product label



#### Product status link

[STPSC10065](#)

#### Product summary

Symbol	Value
$I_{F(AV)}$	10 A
$V_{RRM}$	650 V
$T_j$ (max.)	$175\text{ °C}$
$V_F$ (typ.)	1.30 V

# 1 Characteristics

**Table 1. Absolute ratings (limiting values at 25 °C, unless otherwise specified)**

Symbol	Parameter		Value	Unit
$V_{RRM}$	Repetitive peak reverse voltage		650	V
$I_{F(RMS)}$	Forward rms current		22	A
$I_{F(AV)}$	Average forward current	$T_C = 150\text{ °C}$ , DC current <sup>(1)</sup>	10	A
$I_{FRM}$	Repetitive peak forward current	$T_C = 150\text{ °C}$ , $T_j = 175\text{ °C}$ , $\delta = 0.1$	42	A
$I_{FSM}$	Surge non repetitive forward current	$t_p = 10\text{ ms}$ sinusoidal, $T_C = 25\text{ °C}$	48	A
		$t_p = 10\text{ ms}$ sinusoidal, $T_C = 125\text{ °C}$	39	
		$t_p = 10\text{ }\mu\text{s}$ square, $T_C = 25\text{ °C}$	210	
$T_{stg}$	Storage temperature range		-65 to +175	°C
$T_j$	Operating junction temperature		-40 to +175	°C

1. Value based on  $R_{th(j-c)}$  max.

**Table 2. Thermal parameters**

Symbol	Parameter	Value		Unit
		Typ.	Max.	
$R_{th(j-c)}$	Junction to case	1.0	1.5	°C/W

For more information, please refer to the following application note:

- AN5088: Rectifiers thermal management, handling and mounting recommendations

**Table 3. Static electrical characteristics**

Symbol	Parameter	Test conditions		Min.	Typ.	Max.	Unit
$I_R$ <sup>(1)</sup>	Reverse leakage current	$T_j = 25\text{ °C}$	$V_R = V_{RRM}$	-	7	130	$\mu\text{A}$
		$T_j = 150\text{ °C}$		-	53	900	
$V_F$ <sup>(2)</sup>	Forward voltage drop	$T_j = 25\text{ °C}$	$I_F = 10\text{ A}$	-	1.30	1.45	V
		$T_j = 150\text{ °C}$		-	1.45	1.65	
		$T_j = 175\text{ °C}$		-	1.50		

1. Pulse test:  $t_p = 5\text{ ms}$ ,  $\delta < 2\%$

2. Pulse test:  $t_p = 500\text{ }\mu\text{s}$ ,  $\delta < 2\%$

To evaluate the conduction losses, use the following equation:

$$P = 0.97 \times I_{F(AV)} + 0.068 \times I_F^2 (RMS)$$

For more information, please refer to the following application notes related to the power losses :

- AN604: Calculation of conduction losses in a power rectifier
- AN4021: Calculation of reverse losses on a power diode

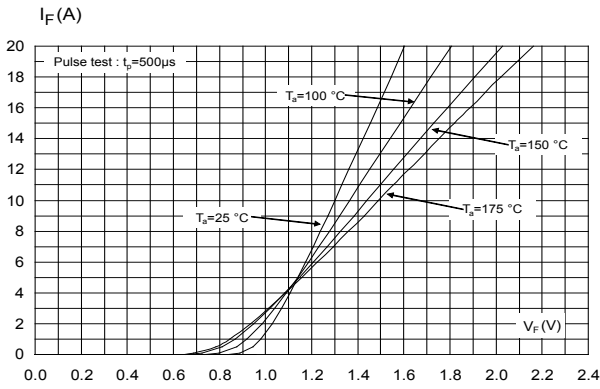
**Table 4. Dynamic electrical characteristics**

Symbol	Parameter	Test conditions	Typ.	Unit
$Q_{Cj}^{(1)}$	Total capacitive charge	$V_R = 400 \text{ V}$	34	nC
$C_j$	Total capacitance	$V_R = 0 \text{ V}, T_c = 25 \text{ }^\circ\text{C}, F = 1 \text{ MHz}$	670	pF
		$V_R = 400 \text{ V}, T_c = 25 \text{ }^\circ\text{C}, F = 1 \text{ MHz}$	55	

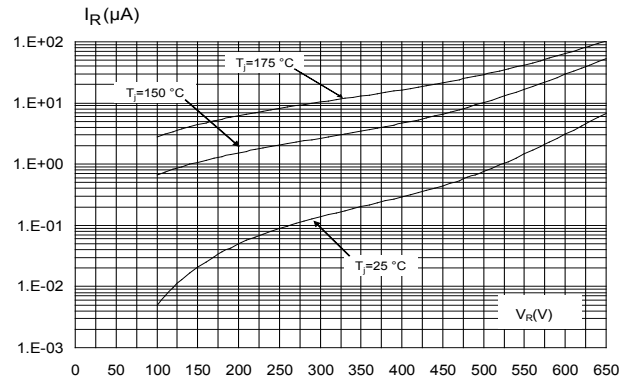
1. Most accurate value for the capacitive charge:  $Q_{Cj}(V_R) = \int_0^{V_R} C_j(V) dV$

### 1.1 Characteristics (curves)

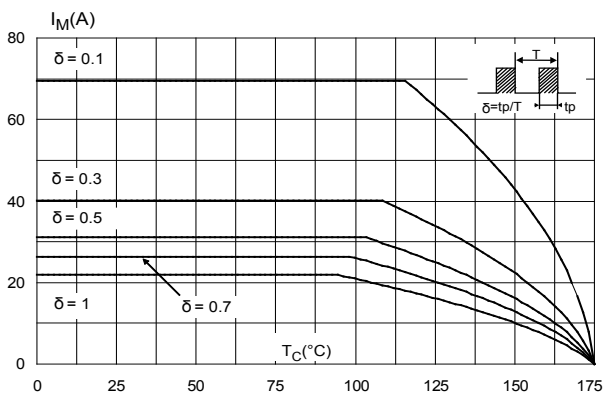
**Figure 1. Forward voltage drop versus forward current (typical values)**



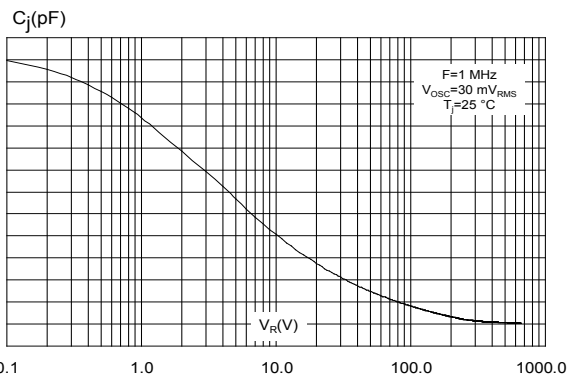
**Figure 2. Reverse leakage current versus reverse voltage applied (typical values)**



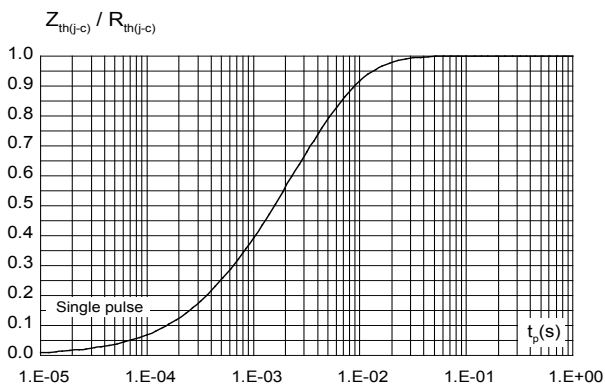
**Figure 3. Peak forward current versus case temperature**



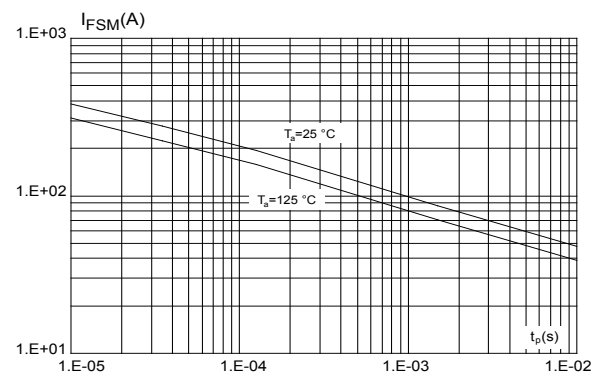
**Figure 4. Junction capacitance versus reverse voltage applied (typical values)**



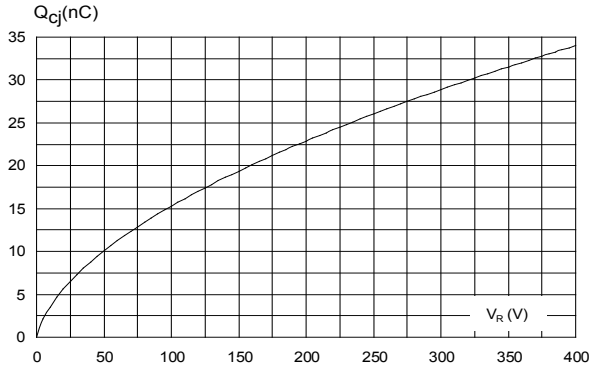
**Figure 5. Relative variation of thermal impedance junction to case versus pulse duration**



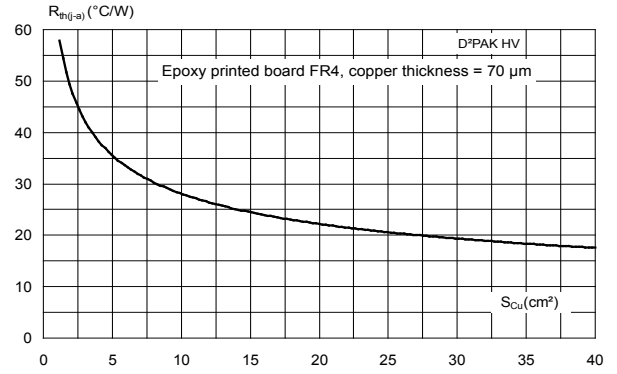
**Figure 6. Non-repetitive peak surge forward current versus pulse duration (sinusoidal waveform)**



**Figure 7. Total capacitive charges versus reverse voltage applied (typical values)**



**Figure 8. Thermal resistance junction to ambient versus copper surface under tab (typical values)**



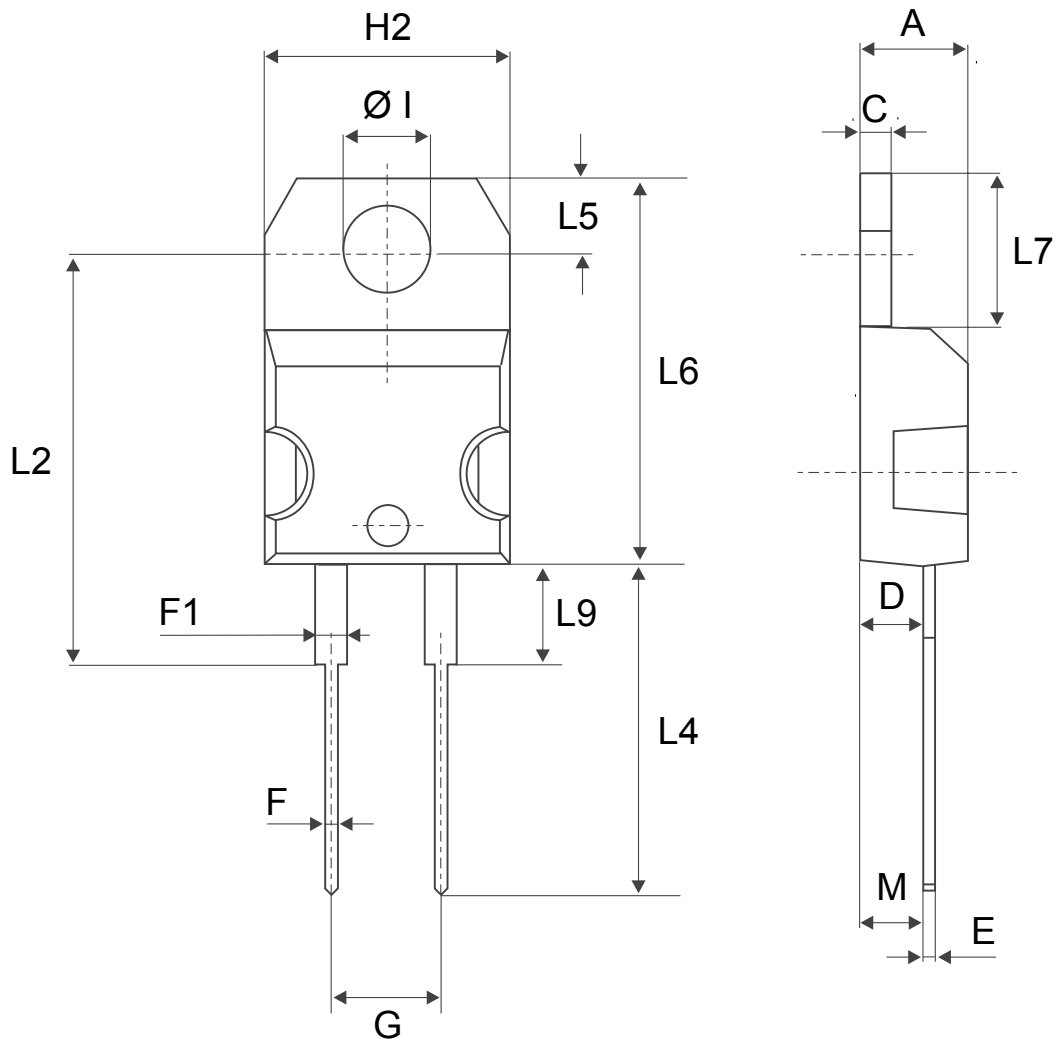
## 2 Package information

In order to meet environmental requirements, ST offers these devices in different grades of **ECOPACK** packages, depending on their level of environmental compliance. ECOPACK specifications, grade definitions and product status are available at: [www.st.com](http://www.st.com). ECOPACK is an ST trademark.

### 2.1 TO-220AC package information

- Epoxy meets UL 94,V0
- Cooling method: by conduction (C)
- Recommended torque value: 0.55 N·m
- Maximum torque value: 0.70 N·m

Figure 9. TO-220AC package outline



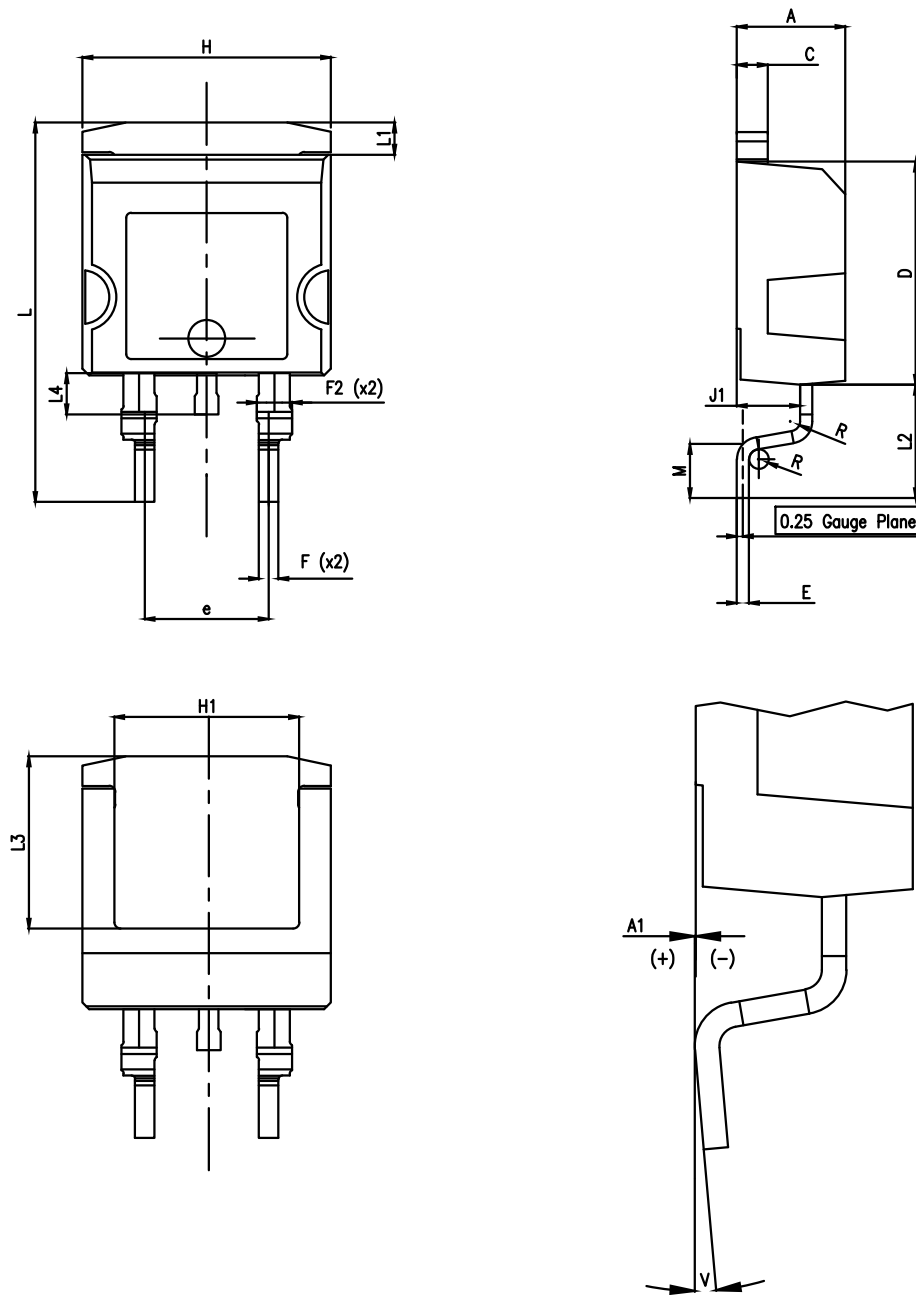
**Table 5. TO-220AC package mechanical data**

Ref.	Dimensions			
	Millimeters		Inches	
	Min.	Max.	Min.	Max.
A	4.40	4.60	0.173	0.181
C	1.23	1.32	0.048	0.051
D	2.40	2.72	0.094	0.107
E	0.49	0.70	0.019	0.027
F	0.61	0.88	0.024	0.034
F1	1.14	1.70	0.044	0.066
G	4.95	5.15	0.194	0.202
H2	10.00	10.40	0.393	0.409
L2	16.40 typ.		0.645 typ.	
L4	13.00	14.00	0.511	0.551
L5	2.65	2.95	0.104	0.116
L6	15.25	15.75	0.600	0.620
L7	6.20	6.60	0.244	0.259
L9	3.50	3.93	0.137	0.154
M	2.6 typ.		0.102 typ.	
ØI	3.75	3.85	0.147	0.151

## 2.2 D<sup>2</sup>PAK high voltage package information

- Epoxy meets UL94, V0

Figure 10. D<sup>2</sup>PAK high voltage package outline

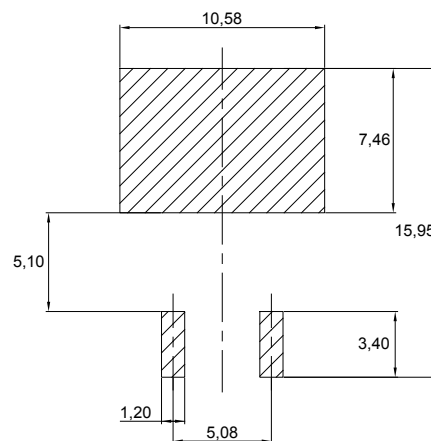




**Table 6. D<sup>2</sup>PAK high voltage package mechanical data**

Ref.	Dimensions																																																	
	Min.	Typ.	Max.																																															
A	4.30	-	4.70																																															
A1	0.03	-	0.20																																															
C	1.17	-	1.37																																															
D	8.95	-	9.35																																															
e	4.98	-	5.18																																															
E	0.50	-	0.90																																															
F	0.78	- </tr <tr> <td>F2</td> <td>1.14</td> <td>-</td> <td>1.70</td> </tr> <tr> <td>H</td> <td>10.00</td> <td>-</td> <td>10.40</td> </tr> <tr> <td>H1</td> <td>7.40</td> <td>-</td> <td>7.80</td> </tr> <tr> <td>J1</td> <td>2.49</td> <td>-</td> <td>2.69</td> </tr> <tr> <td>L</td> <td>15.30</td> <td>-</td> <td>15.80</td> </tr> <tr> <td>L1</td> <td>1.27</td> <td>-</td> <td>1.40</td> </tr> <tr> <td>L2</td> <td>4.93</td> <td>-</td> <td>5.23</td> </tr> <tr> <td>L3</td> <td>6.85</td> <td>-</td> <td>7.25</td> </tr> <tr> <td>L4</td> <td>1.5</td> <td>-</td> <td>1.7</td> </tr> <tr> <td>M</td> <td>2.6</td> <td>-</td> <td>2.9</td> </tr> <tr> <td>R</td> <td>0.20</td> <td>-</td> <td>0.60</td> </tr> <tr> <td>V</td> <td>0°</td> <td>-</td> <td>8°</td> </tr>	F2	1.14	-	1.70	H	10.00	-	10.40	H1	7.40	-	7.80	J1	2.49	-	2.69	L	15.30	-	15.80	L1	1.27	-	1.40	L2	4.93	-	5.23	L3	6.85	-	7.25	L4	1.5	-	1.7	M	2.6	-	2.9	R	0.20	-	0.60	V	0°	-	8°
F2	1.14	-	1.70																																															
H	10.00	-	10.40																																															
H1	7.40	-	7.80																																															
J1	2.49	-	2.69																																															
L	15.30	-	15.80																																															
L1	1.27	-	1.40																																															
L2	4.93	-	5.23																																															
L3	6.85	-	7.25																																															
L4	1.5	-	1.7																																															
M	2.6	-	2.9																																															
R	0.20	-	0.60																																															
V	0°	-	8°																																															

**Figure 11. D<sup>2</sup>PAK high voltage footprint in mm**



*Note: For package and tape orientation, reel and inner box dimensions and tape outline please check TN1173.*

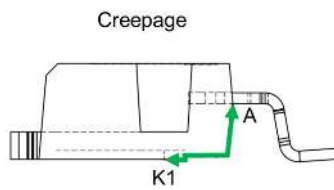
### 2.2.1 Creepage distance between anode and cathode

**Table 7. Creepage distance between anode and cathode**

Symbol	Parameter		Value	Unit
Cd <sub>A-K1</sub>	Minimum creepage distance between A and K1 (with top coating)	D <sup>2</sup> PAK HV	5.38	mm
Cd <sub>A-K2</sub>	Minimum creepage distance between A and K2 (without top coating)		3.48	

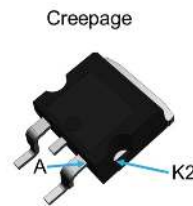
*Note:* D<sup>2</sup>PAK HV creepage distance (anode to cathode) = 5.38 mm min. (refer to IEC 60664-1)

**Figure 12. Creepage with top coating**



Minimum distance between A & K1 = 5.38 mm (with top coating)

**Figure 13. Creepage without top coating**



Minimum distance between A & K2 = 3.48 mm (without top coating)

### 3 Ordering information

**Table 8. Ordering information**

Order code	Marking	Package	Weight	Base qty.	Delivery mode
STPSC10065D	PSC10065D	TO-220AC	1.86 g	50	Tube
STPSC10065G2-TR	PSC10065G2	D <sup>2</sup> PAK HV	1.48 g	1000	Tape and reel

## Revision history

**Table 9. Document revision history**

Date	Revision	Changes
13-Jun-2017	1	First issue.
18-Jul-2017	2	Updated <a href="#">Table 3</a> . Static electrical characteristics.
23-Mar-2021	3	Inserted STPOWER logo and product label "ST Sustainable". Added D <sup>2</sup> PAK HV package information. Minor text changes.

**IMPORTANT NOTICE – PLEASE READ CAREFULLY**

STMicroelectronics NV and its subsidiaries (“ST”) reserve the right to make changes, corrections, enhancements, modifications, and improvements to ST products and/or to this document at any time without notice. Purchasers should obtain the latest relevant information on ST products before placing orders. ST products are sold pursuant to ST’s terms and conditions of sale in place at the time of order acknowledgement.

Purchasers are solely responsible for the choice, selection, and use of ST products and ST assumes no liability for application assistance or the design of Purchasers’ products.

No license, express or implied, to any intellectual property right is granted by ST herein.

Resale of ST products with provisions different from the information set forth herein shall void any warranty granted by ST for such product.

ST and the ST logo are trademarks of ST. For additional information about ST trademarks, please refer to [www.st.com/trademarks](http://www.st.com/trademarks). All other product or service names are the property of their respective owners.

Information in this document supersedes and replaces information previously supplied in any prior versions of this document.

© 2021 STMicroelectronics – All rights reserved