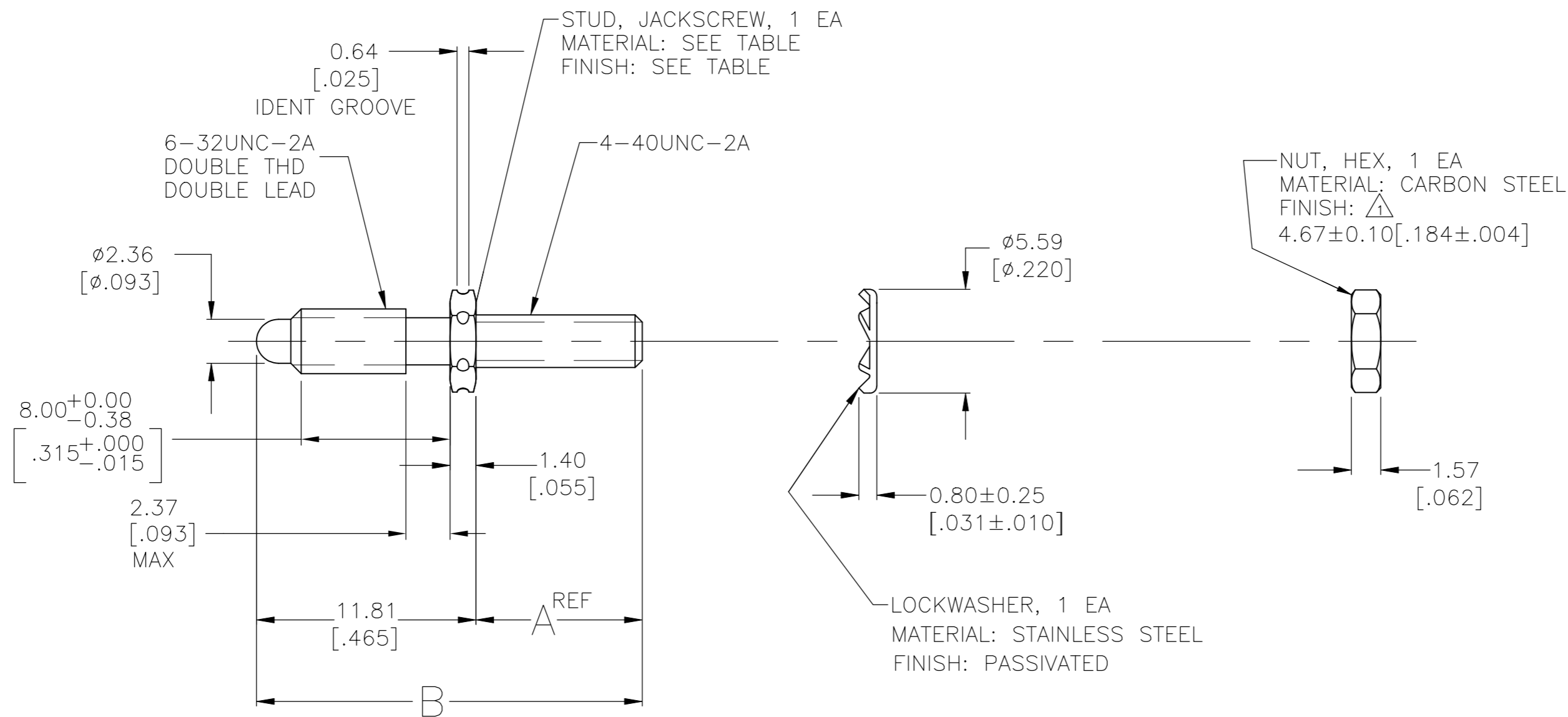



THIS DRAWING IS UNPUBLISHED. RELEASED FOR PUBLICATION
 © COPYRIGHT - TE Connectivity Ltd. ALL RIGHTS RESERVED.

REVISIONS					
P	LTR	DESCRIPTION	DATE	DWN	APVD
	AG	REVISED PER ECO-10-021995	12JAN11	HMR	MG
	AH	REVISED PER ECO-18-005806	24APR2018	RS	MZ

 ZINC PLATE



	-	STAINLESS STL	20.62 [.812]	8.81 [.347]	1-200874-2
	-	STAINLESS STL	23.80 [.937]	11.99 [.472]	200874-3
SUPERCEDED TO 200874-1	ZINC	CARBON STEEL	20.62 [.812]	8.81 [.347]	200874-2
SUPERCEDED TO 1-200874-2	-	STAINLESS STL	20.62 [.812]	8.81 [.347]	200874-1
FINISH	MATERIAL	B	A	PART NUMBER	
JACKSCREW STUD					

THIS DRAWING IS A CONTROLLED DOCUMENT.		DWN C.OBERMAN 02/25/92	 TE Connectivity Ltd.		
DIMENSIONS: mm [INCHES]		CHK R.STONE 2-28-92			
TOLERANCES UNLESS OTHERWISE SPECIFIED:		APVD	NAME		
0 PLC ± -		PRODUCT SPEC	JACKSCREW KIT, UNASSEMBLED, STUD, FIXED, M SERIES		
1 PLC ± -		APPLICATION SPEC	-		
2 PLC ± 0.13 [.005]		WEIGHT	SIZE	CAGE CODE	DRAWING NO
3 PLC ± -		FINISH	A2	00779	C=200874
4 PLC ± -		MATERIAL	RESTRICTED TO		
ANGLES ± -		SEE CALLOUT	CUSTOMER DRAWING		
MATERIAL		SCALE	4:1	SHEET	1 OF 1
SEE CALLOUT		REV	AH		