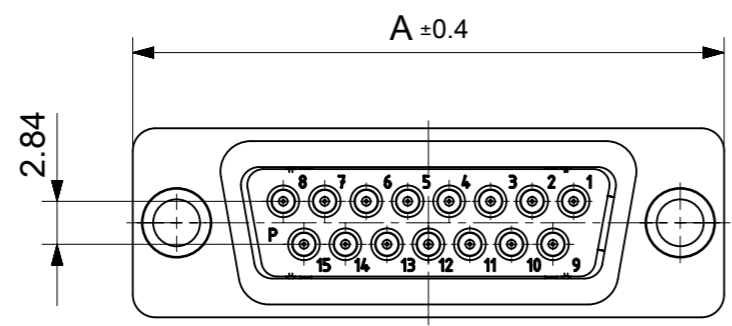
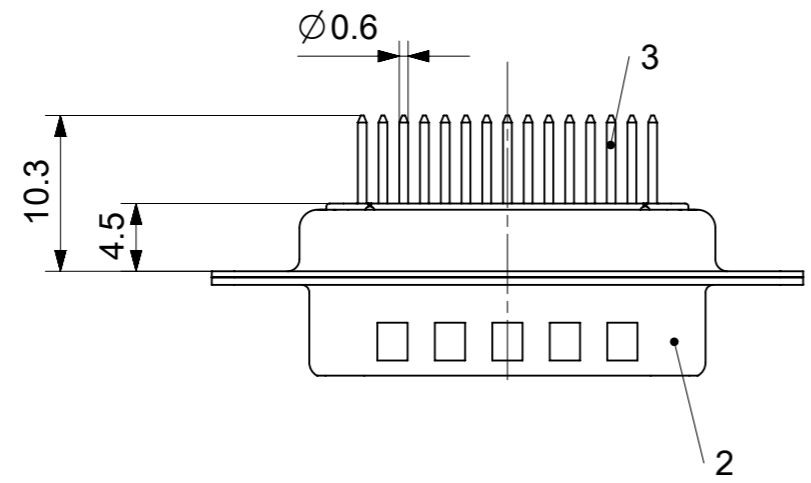
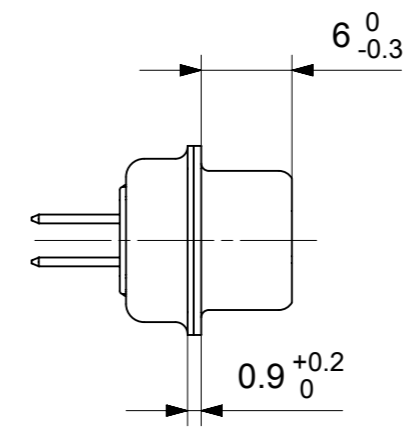
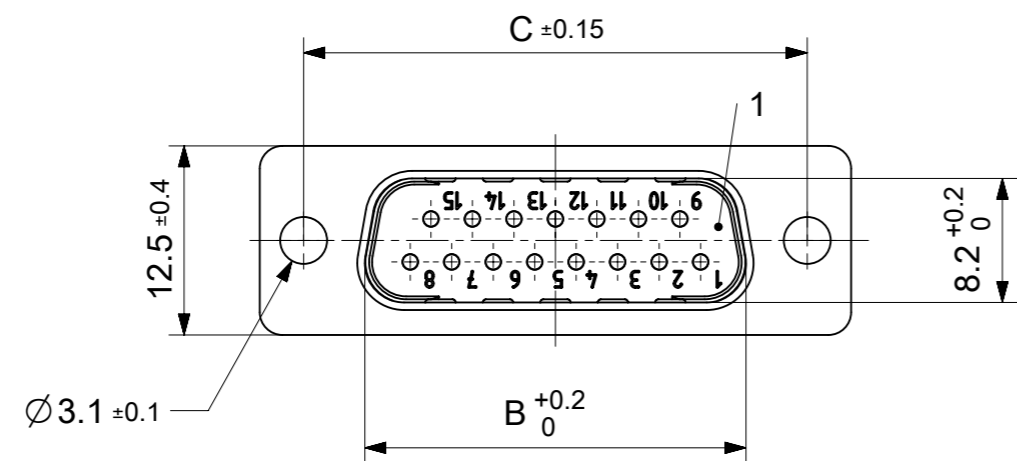


RoHS compliant  
by exemption



FCT Part number:

Fxx\*1)P1y\*2)

e.g. F15P1G1

\*1) xx No. of contacts 09, 15, 25 or 37

\*2) y for performance classes 1, 2 or 3

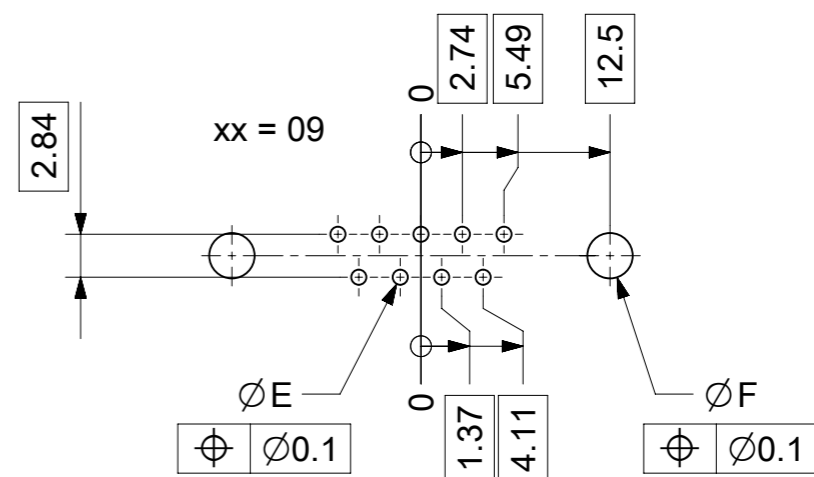
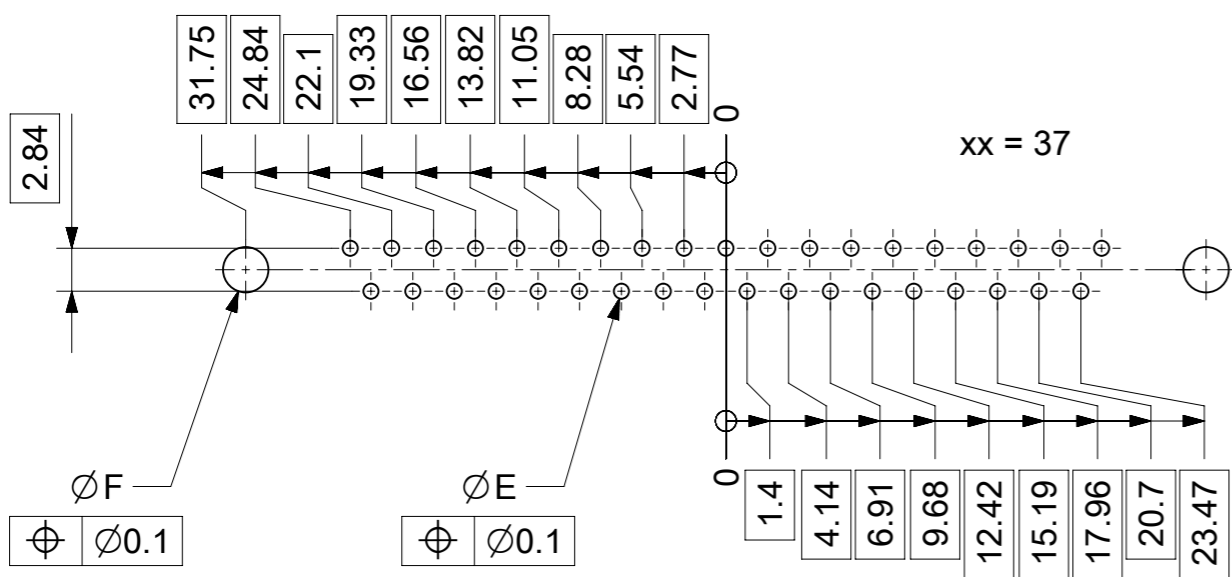
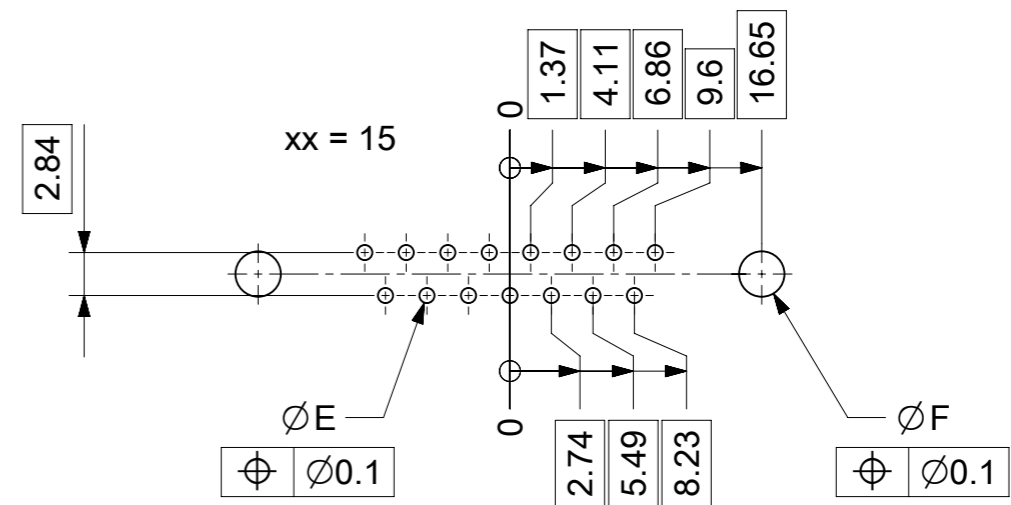
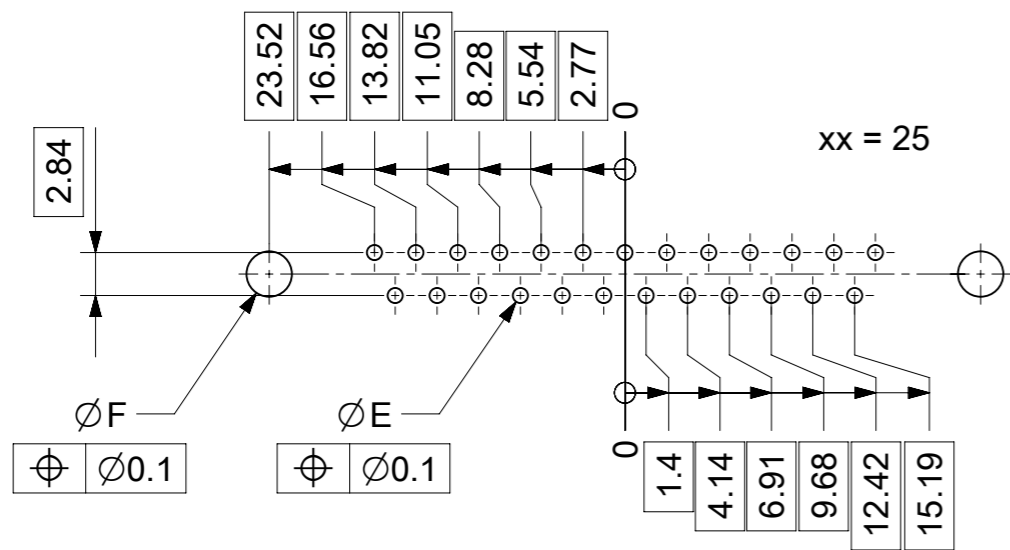
(contact cycle for G1/G2/G3 = 500/200/50)

Material Number	xx*1)	y*2)	A[mm]	B[mm]	C[mm]	*E[mm]
1727040074	09	G1	30.8	16.9	25	Ø1
1731090121		G2				
1727040062	15	G1	39.1	25.2	33.3	
1731090122		G2				
1727040066	25	G1	53	38.9	47.04	
1731090123		G2				
1727040071	37	G1	69.3	55.3	63.5	
1731090124		G2				

\*PCB hole patterns ØE see document 2195600023

3	xx	Signal contact	P1 / Brass	G1 / G2
2	1	Shell	Steel	tin plated
1	1	Insulator	PBT (-55°C to +125°C) acc. UL94V-0	white
No.	Pc.	Part	Type Description/Material	Surface plating/ Color/Class

MEASUREMENTS WITHOUT TOLERANCE ACC TO ISO 2768-m			REPLACEMENT FOR DOCUMENT NUMBER: FxxP1Gy					
FUNCTIONAL SYMBOLS	THIS DRAWING CONTAINS INFORMATION THAT IS PROPRIETARY TO MOLEX ELECTRONIC TECHNOLOGIES, LLC AND SHOULD NOT BE USED WITHOUT WRITTEN PERMISSION		<div style="text-align: center; font-size: 24px; font-weight: bold;">molex</div> <p>FCT D-SUB MINIATURE CONNECTOR</p> <p>PRODUCT CUSTOMER DRAWING</p>					
FUNCTIONAL SYMBOLS	DIMENSION UNITS	SCALE				CURRENT REV DESC:		
FUNCTIONAL SYMBOLS	mm	2:1				EC NO: 713729 DRWN: MTEUBEL 2022/07/11 CHK'D: MSTEINBRUECK 2022/07/11 APPR: MSTEINBRUECK 2022/07/11		
FUNCTIONAL SYMBOLS	GENERAL TOLERANCES (UNLESS SPECIFIED)					INITIAL REVISION:		
DIVISIONAL SYMBOLS	ANGULAR TOL	± °	DRWN: GOOLAM 2021/11/24 APPR: MTEUBEL 2022/05/11					
DIVISIONAL SYMBOLS	4 PLACES	±	DOCUMENT NUMBER					
DIVISIONAL SYMBOLS	3 PLACES	±	1727040074					
DIVISIONAL SYMBOLS	2 PLACES	±	DOC TYPE					
DIVISIONAL SYMBOLS	1 PLACE	±	PSD					
DIVISIONAL SYMBOLS	0 PLACES	±	DOC PART					
DIVISIONAL SYMBOLS	DRAFT WHERE APPLICABLE MUST REMAIN WITHIN DIMENSIONS		000					
DIVISIONAL SYMBOLS	FIRST ANGLE PROJECTION		REVISION					
DIVISIONAL SYMBOLS	DRAWING		A1					
DIVISIONAL SYMBOLS	SERIES		172704					
DIVISIONAL SYMBOLS	MATERIAL NUMBER		SEE TABLE					
DIVISIONAL SYMBOLS	CUSTOMER		GENERAL MARKET					
DIVISIONAL SYMBOLS	SHEET NUMBER		1 OF 1					



ØE, ØF see data sheet incl. connector  
 ØF connectors with accessories only

MEASUREMENTS WITHOUT TOLERANCE ACC TO ISO 2768-m			REPLACEMENT FOR DOCUMENT NUMBER: AM0023			
THIS DRAWING CONTAINS INFORMATION THAT IS PROPRIETARY TO MOLEX ELECTRONIC TECHNOLOGIES, LLC AND SHOULD NOT BE USED WITHOUT WRITTEN PERMISSION						
FUNCTIONAL SYMBOLS	DIMENSION UNITS	SCALE	CURRENT REV DESC:			
$\nabla_A = 0$	mm	2:1	EC NO: 713905			
$\nabla_E = 0$	GENERAL TOLERANCES (UNLESS SPECIFIED)		DRWN: SKANDB 2022/05/16			
$\nabla_P = 0$	ANGULAR TOL ± °		CHK'D: MTEUBEL 2022/07/12			
DIVISIONAL SYMBOLS	4 PLACES ±		APPR: MTEUBEL 2022/07/12			
	3 PLACES ±		INITIAL REVISION:			
	2 PLACES ±		DRWN: SKANDB 2022/05/16			
	1 PLACE ±		APPR: MTEUBEL 2022/07/12			
	0 PLACES ±		DOCUMENT NUMBER			
DRAFT WHERE APPLICABLE MUST REMAIN WITHIN DIMENSIONS		FIRST ANGLE PROJECTION	DRAWING	SERIES	MATERIAL NUMBER	CUSTOMER
			A3-SIZE	219560	219560	GENERAL MARKET
			DOC TYPE	DOC PART	REVISION	
			PRODUCT CUSTOMER DRAWING			
			2195600023			
			PSD 000 A			
			SHEET NUMBER			
			1 OF 1			