

A

B

C

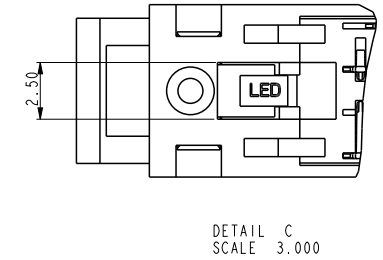
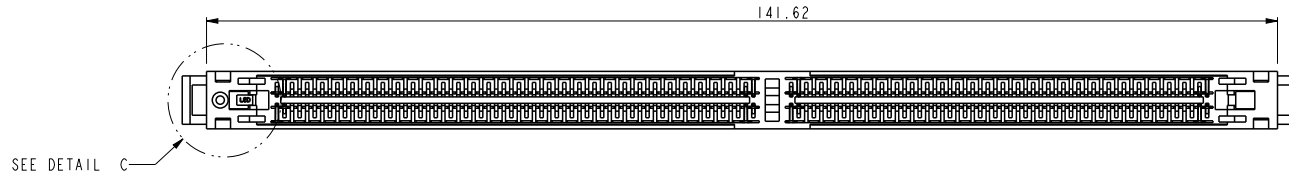
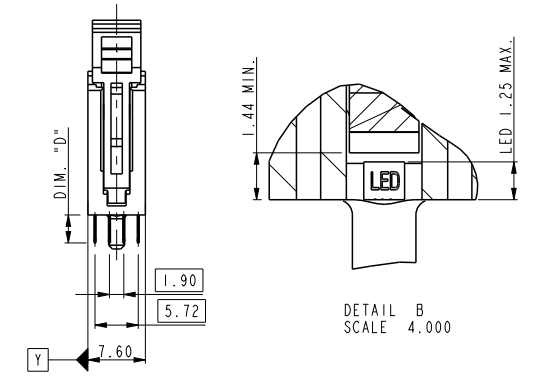
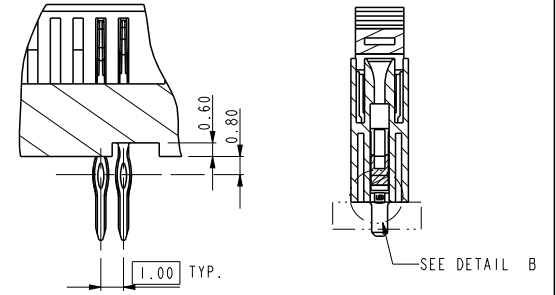
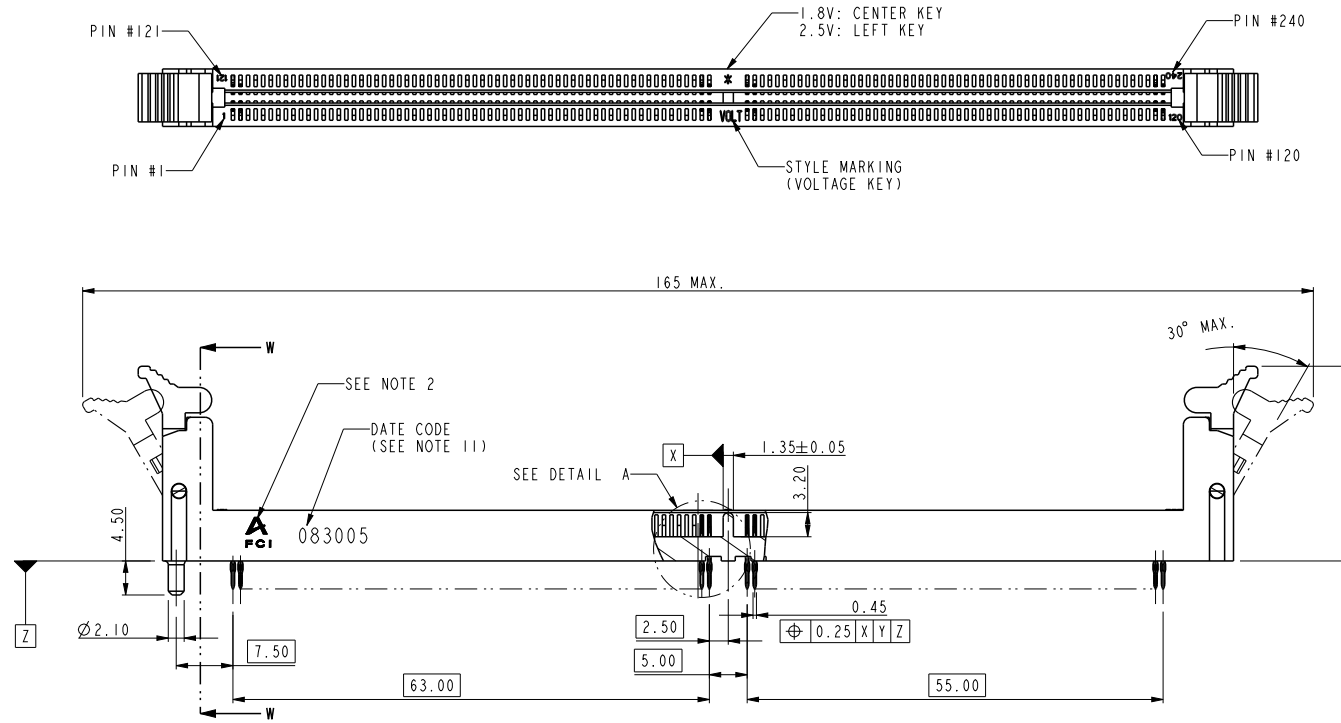
D

A

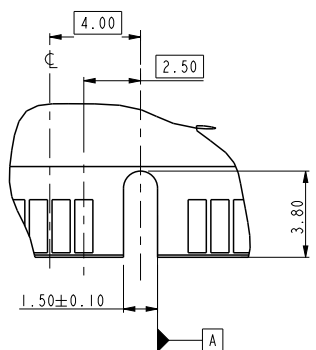
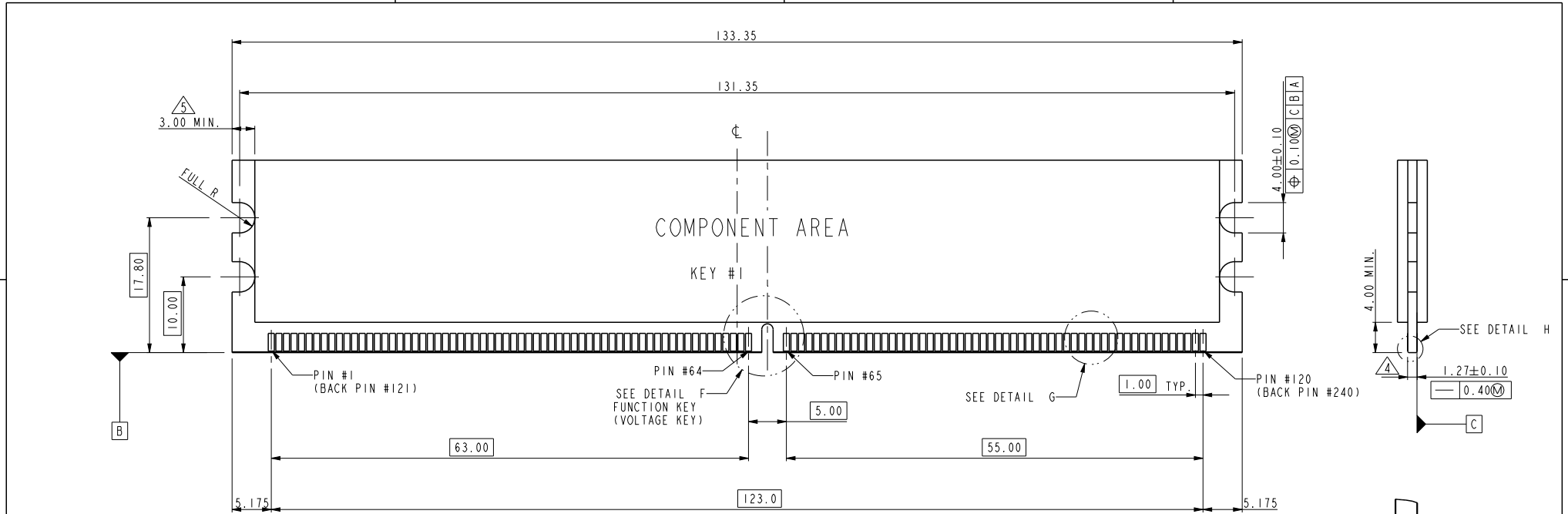
B

C

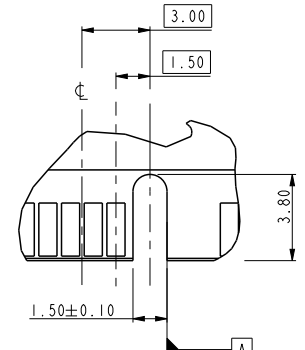
D



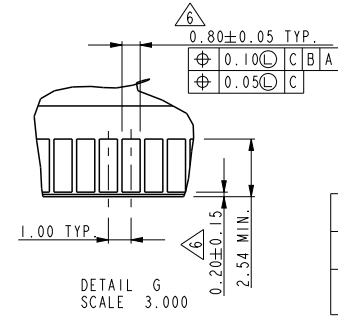
spec ref		SPEC_REF:5		dr	Nickor Zuo	2011/08/23	projection	MM	size	A4	scale	0.500
tolerance std		TOLERANCES UNLESS OTHERWISE SPECIFIED		eng	Jeny Ren	2018/01/24			ecn no	ELX-DG-28708-1		
ISO 406 ISO 1101				chr	-	-				rel level		Released
surface		linear	0.X	±0.38	Amphenol FCI	title	product family	dwg no	10072264		rev	C
			0.XX	±0.25								
ISO 1302		0.XXX	±0.13									
		angular	0°	±2°	www.fci.com	cat. no.	*	Product - Customer Drw		sheet 1 of 4		



DETAIL F
KEY POSITION #1
TYPE "C"



DETAIL F
KEY POSITION #1
TYPE "L"

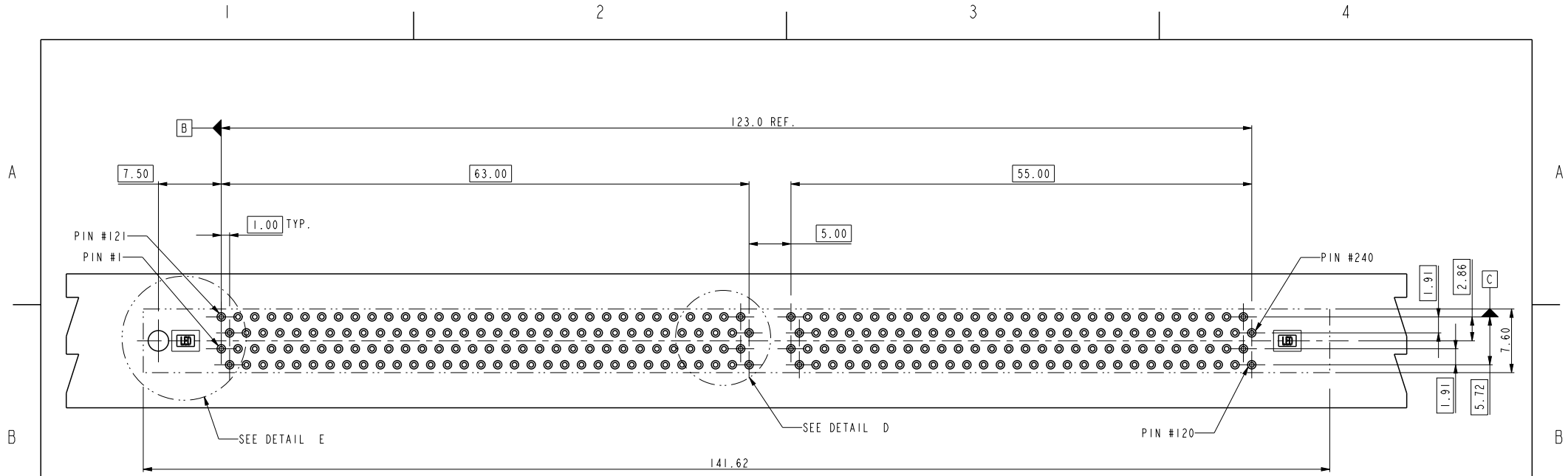


DETAIL G
SCALE 3.000

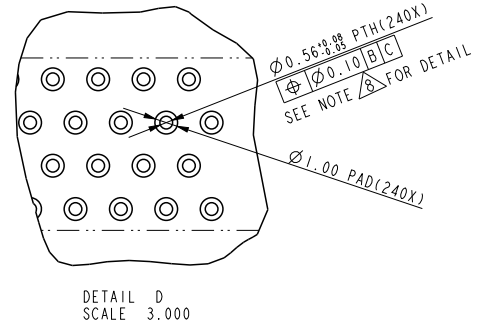
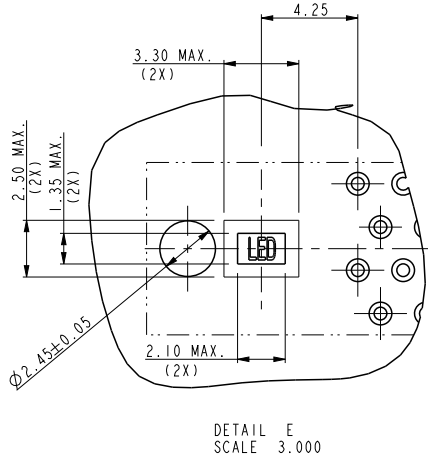
TYPE "L"	2.5 VOLTAGE
TYPE "C"	1.8 VOLTAGE
SUB KEY POS #1	DESCRIPTION

spec ref	*	dr	Nickor Zuo	2011/08/23	projection	MM	size	A4	scale	0.500
tolerance std	ISO 406 ISO 1101	eng	Jeny Ren	2018/01/24			ecn no	ELX-DG-28708-1		
TOLERANCES UNLESS OTHERWISE SPECIFIED		chr	-	-			rel level	Released		
surface		appr	Nickor Zuo	2018/01/29	product family		rev			
linear		0.X	±0.38	Amphenol FCI www.fci.com	title		DDR11 240P PRESS-FIT ASS'Y		dwg no 10072264	C
angular	0°	±2°	cat. no.		Product - Customer Drw		sheet 2 of 4			
ISO 1302	0.XX	±0.25								
	0.XXX	±0.13								

Creo File - REV E - 2016-02-12



RECOMMEND CIRCUIT BOARD HOLE LAYOUT



spec ref *		dr Nickor Zuo 2011/08/23		projection 	MM ←→	size A4	scale 0.500
tolerance std ISO 406 ISO 1101		eng Jeny Ren 2018/01/24				ecn no ELX-DG-28708-1	
TOLERANCES UNLESS OTHERWISE SPECIFIED		chr -				rel level Released	
surface		0.X ±0.38	appr Nickor Zuo 2018/01/29		product family		rev C
linear		0.XX ±0.25	Amphenol FCI		title DDRII 240P PRESS-FIT ASS'Y		
angular		0° ±2°	www.fci.com		dwg no 10072264		
		cat. no. *		Product - Customer Drw		sheet 3 of 4	

