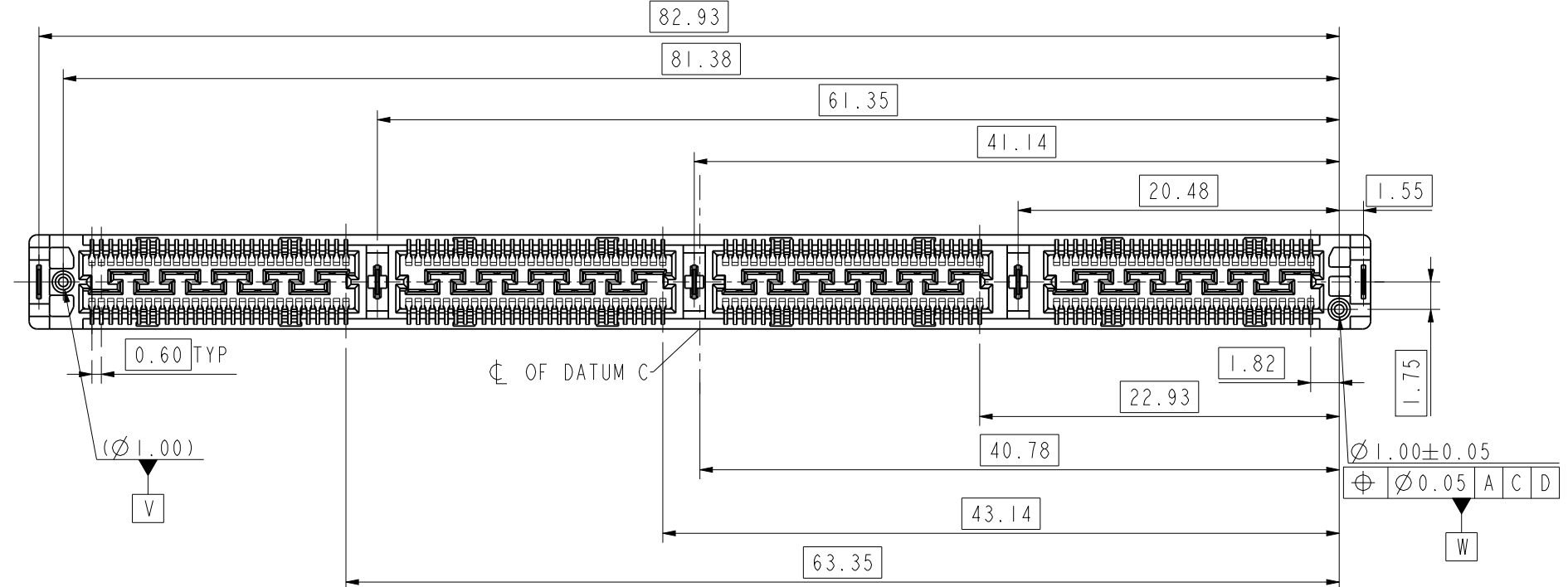
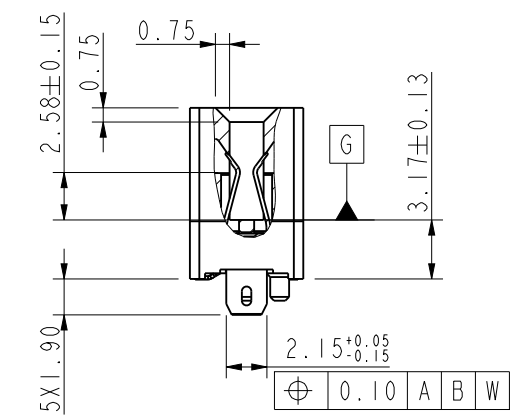
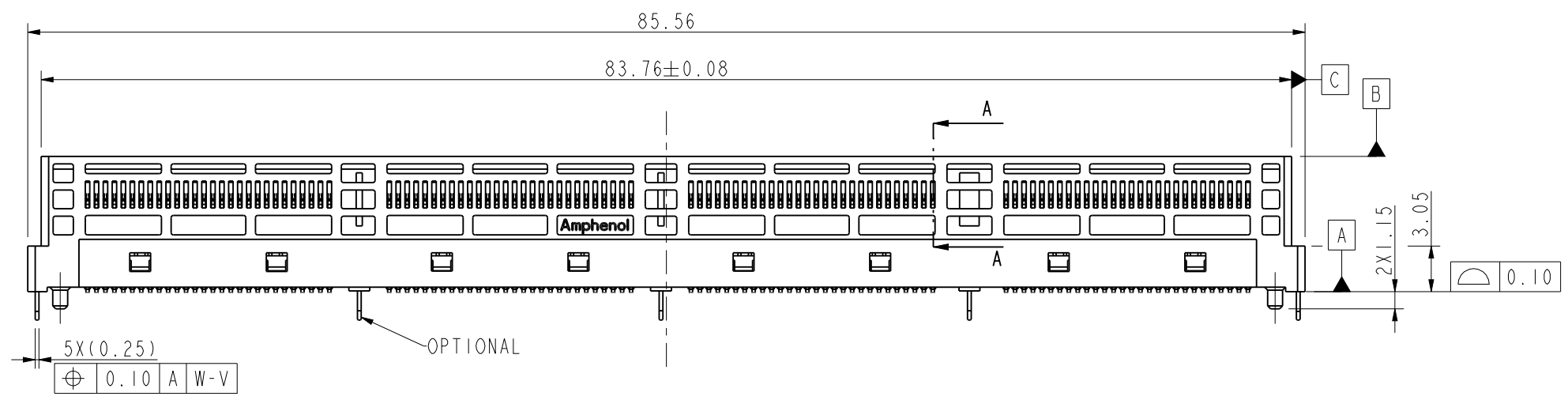
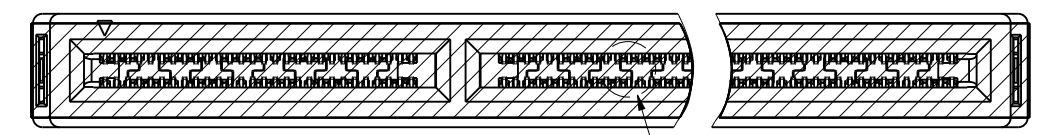
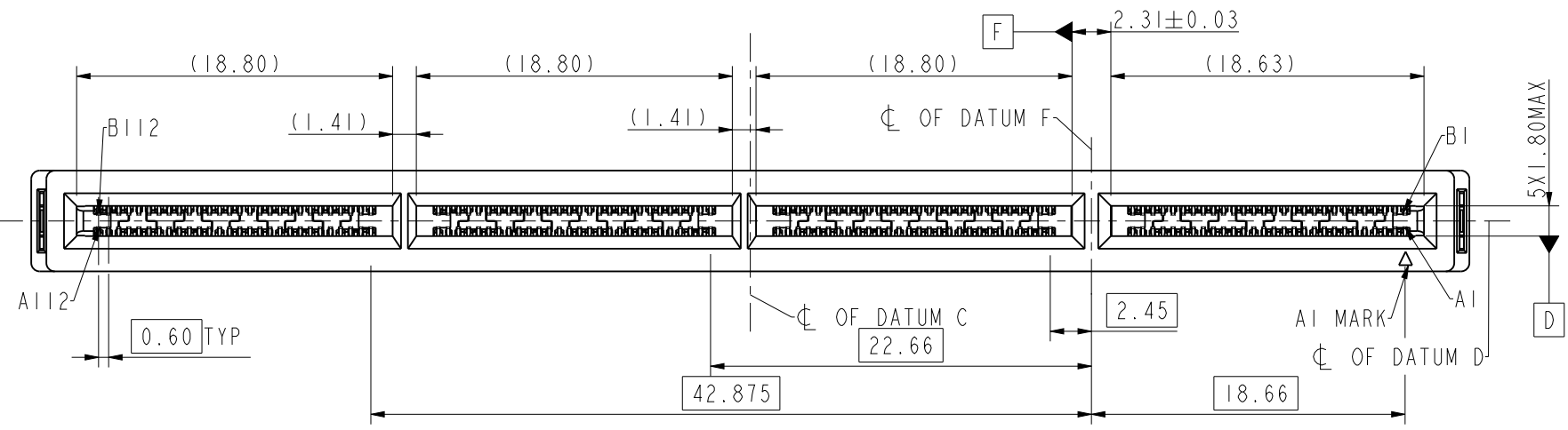
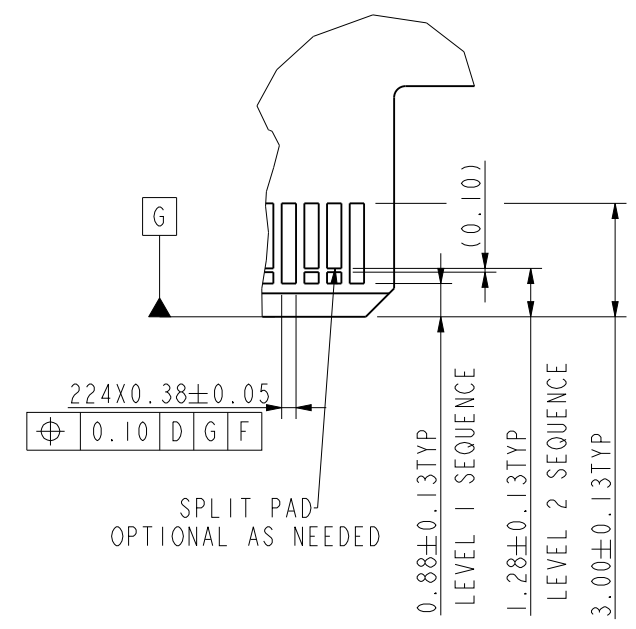
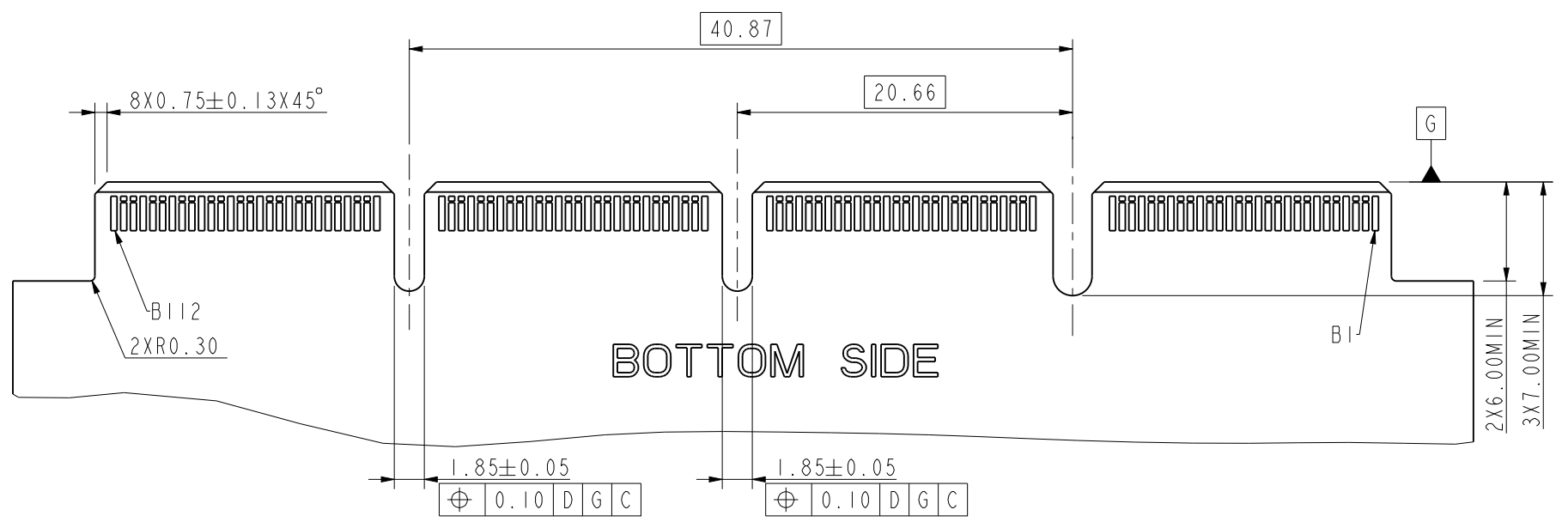
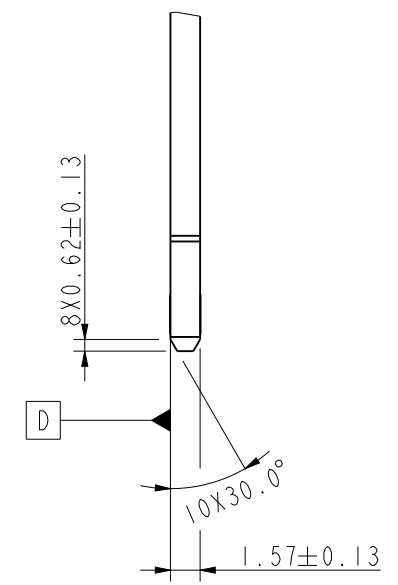
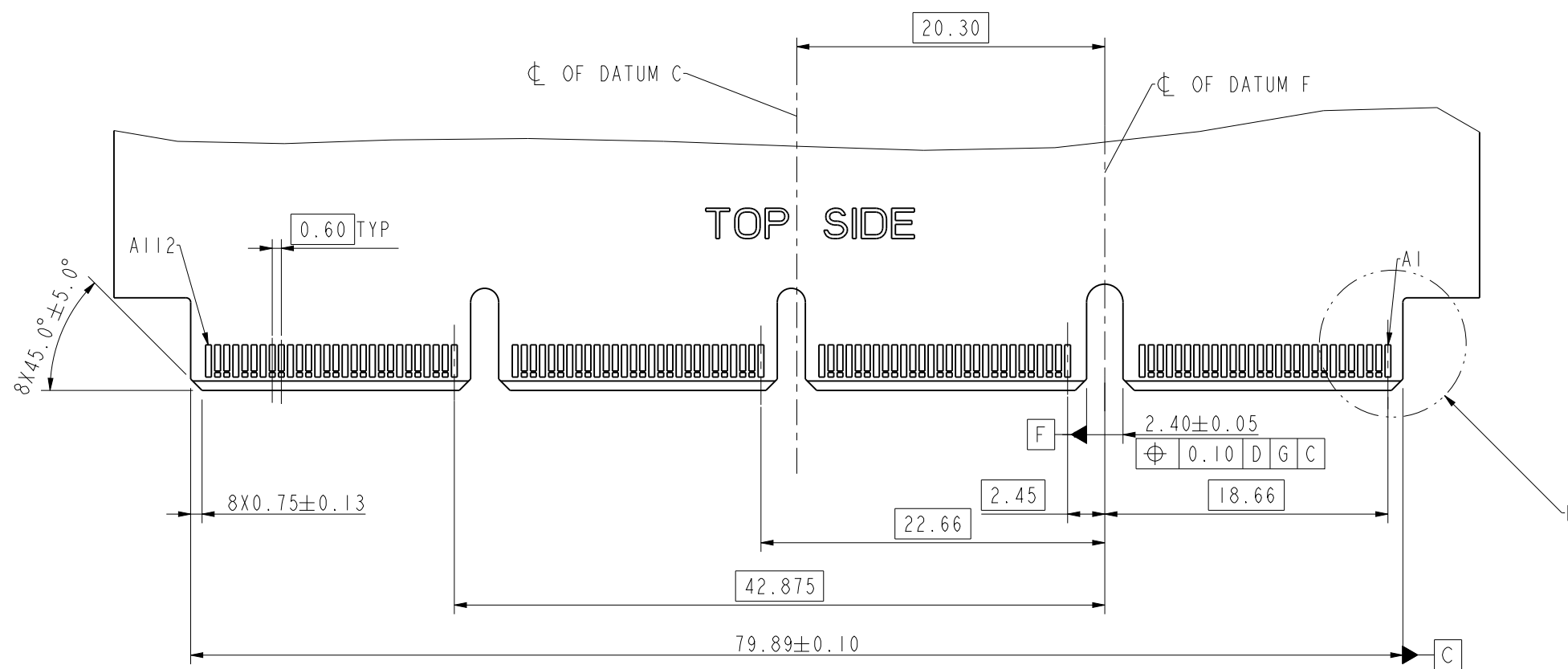


revision history				
rev	ecn no	description	dr	date
3	CDXXXX	CORRECT AIC DIM IS 20.30 WAS 20.21	RH	2020/12/23
4	CDXXXX	ADD OPTIONAL BOARD LOCK	RH	2021/01/28
A	CD2440	OFFICIAL RELEASE	RH	2021/05/12



- NOTE:
- MATERIAL:
HOUSING: HIGH TEMPERATURE THERMOPLASTIC BLACK UL94-V0.
CONTACT: COPPER ALLOY
BOARD LOCK: COPPER ALLOY
 - PLATING:
CONTACT: MATING AREA: SEE P/N SYSTEM OVER 1.27um MIN NICKEL UNDERPLATED
SOLDER AREA: 1.27um MIN TIN OVER 1.27um MIN NICKEL UNDERPLATED
BOARD LOCK: 1.27um MIN TIN OVER 1.27um MIN NICKEL UNDERPLATED
 - ELECTRICAL PERFORMANCE:
RATED CURRENT: 1.1A/PIN UP TO 12PINS
LLCR: DELTA 15mA MAX
INSULATION RESISTANCE: 1000MΩ MIN.
 - MECHANICAL PERFORMANCE:
MATING FORCE: 123.2N MAX.
UNMATING FORCE: 11.2N MIN
DURABILITY: 200CYCLES
 - CONNECTOR IS ROHS COMPLIANT
 - ORDERING PN SEE PAGE 3 PART NUMBER SYSTE TABLE.

spec ref	S-ME-004	dr	Rocky	May.12.2021		mm	scale	5:2	size	A3								
tolerance std	TOLERANCES UNLESS OTHERWISE SPECIFIED	eng	Rocky	May.12.2021		ecn no	CD2440											
surface	<table border="1"> <tr> <td>linear</td> <td>0.X</td> <td>± 0.25</td> </tr> <tr> <td></td> <td>0.XX</td> <td>± 0.20</td> </tr> <tr> <td></td> <td>0.XXX</td> <td>± 0.15</td> </tr> <tr> <td>angular</td> <td>0°</td> <td>± 5°</td> </tr> </table>	linear	0.X	± 0.25			0.XX	± 0.20		0.XXX	± 0.15	angular	0°	± 5°	rivr	Ken.Xiang	May.12.2021	rel level
linear	0.X	± 0.25																
	0.XX	± 0.20																
	0.XXX	± 0.15																
angular	0°	± 5°																
projection		title	MINI COOL EDGE CONNECTOR		amphenol-icc.com	rel level												
		product family	V/T, 224PIN, 0.6mm PITCH SMT		cat. no.	C ME102241010X01X	rev	A										
					sheet	1 of 4												

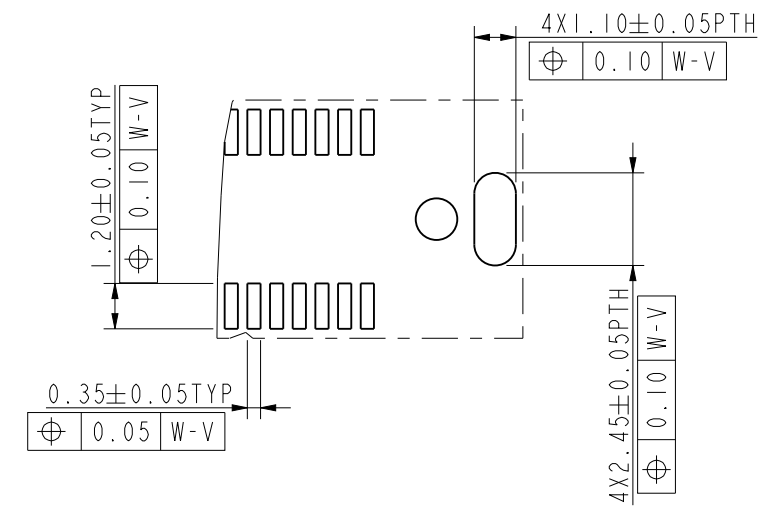
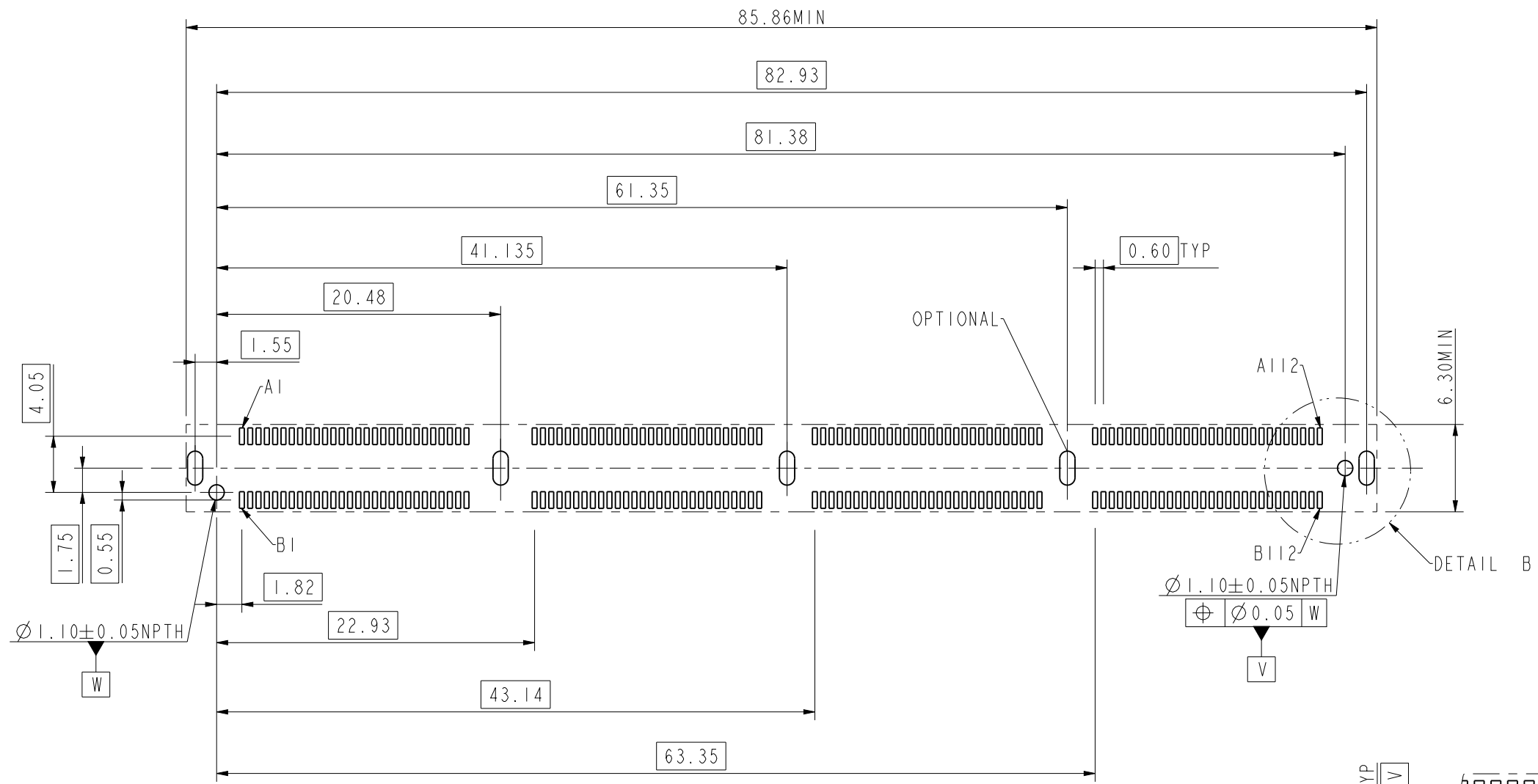


RECOMMENDED AIC CARD

DETAIL A
SCALE 5:1

spec ref	S-ME-004			dr	Rocky	May.12.2021
tolerance std	TOLERANCES UNLESS OTHERWISE SPECIFIED			eng	Rocky	May.12.2021
		0.X	± 0.25	r vwr	Ken.Xiang	May.12.2021
		0.XX	± 0.20	appr		
		0.XXX	± 0.15	projection		
surface	linear	0°	± 5°	title	MINI COOL EDGE CONNECTOR	
	angular	0°	± 5°	product family	V/T, 224PIN, 0.6mm PICTH, SMT	

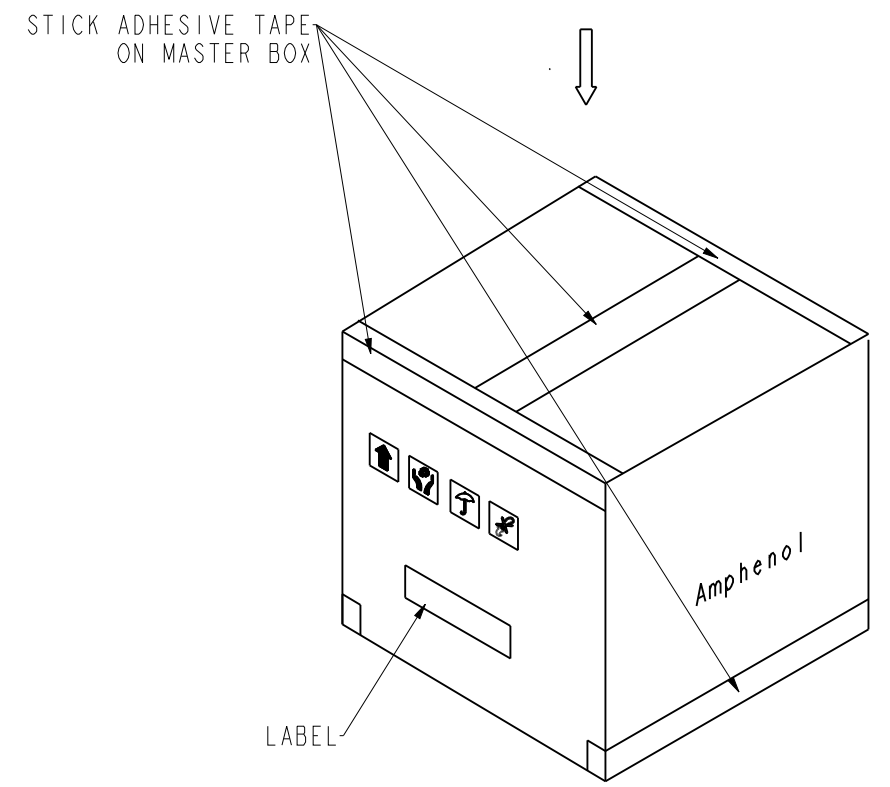
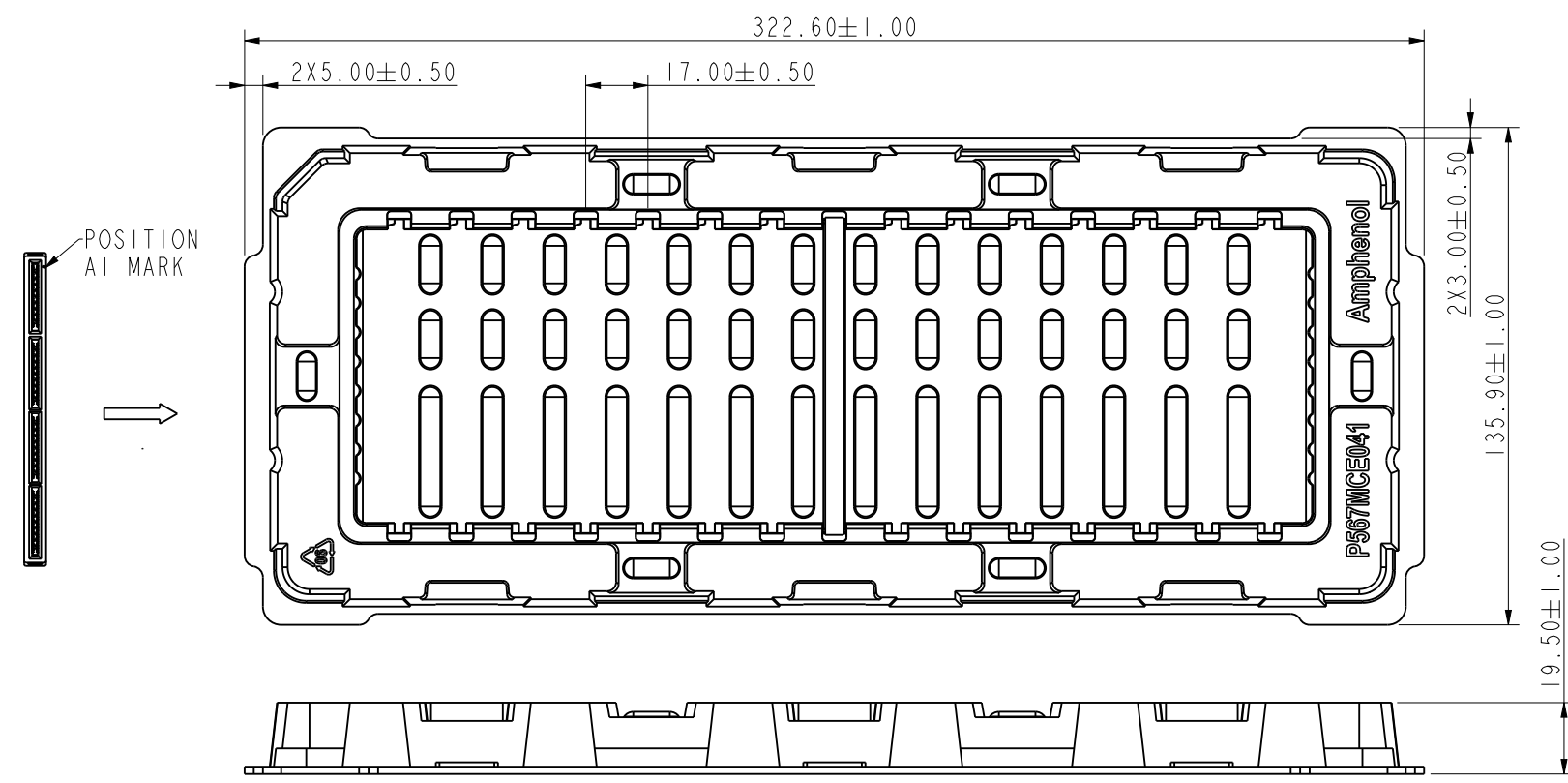
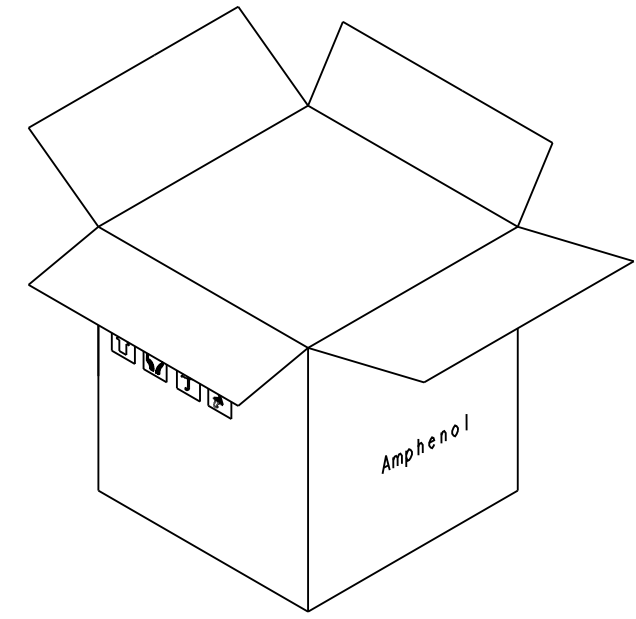
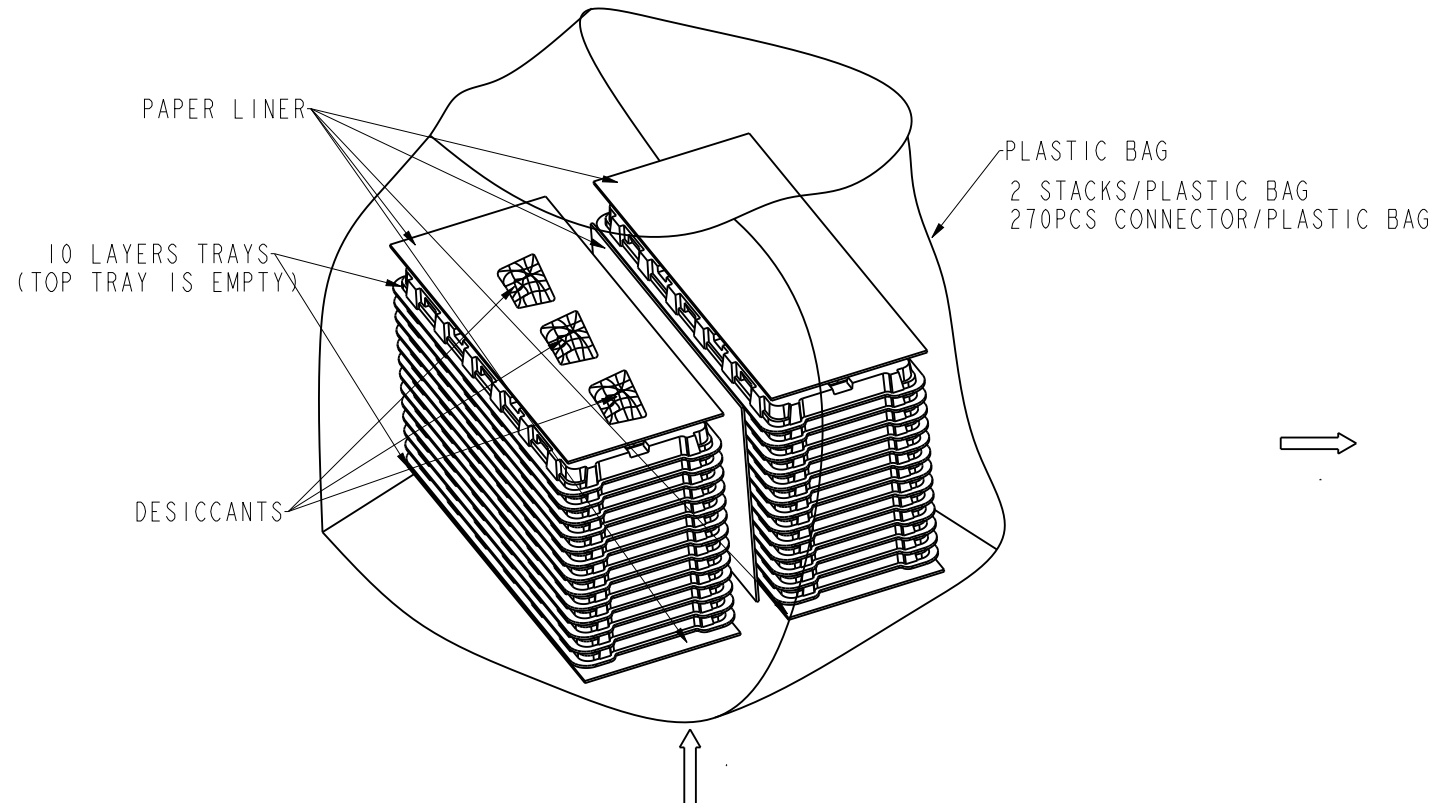
Amphenol		mm	scale	size
			5:2	A3
ecn no		CD2440		
rel level				
cat. no.	C ME102241010X01X		rev	A
sheet 2 of 4				



PART NUMBER SYSTEM		
ME1022410104015	GXT 0.38um	WITHOUT
ME1022410104014	GXT 0.76um	
ME1022410104013	GOLD FLASH	
ME1022410104012	0.38um Au	
ME1022410104011	0.76um Au	WITH
ME1022410103015	GXT 0.38um	
ME1022410103014	GXT 0.76um	
ME1022410103013	GOLD FLASH	
ME1022410103012	0.38um Au	
ME1022410103011	0.76um Au	
PART NUMBER	PLATED SPEC	OPTIONAL BOARD LOCK

RECOMMENDED PCB LAYOUT

spec ref	S-ME-004	dr	Rocky	May.12.2021	Amphenol	mm	scale	size
tolerance std	TOLERANCES UNLESS OTHERWISE SPECIFIED	eng	Rocky	May.12.2021		5:2	A3	
surface		rvwr	Ken.Xiang	May.12.2021		ecn no	CD2440	
linear		0.X	± 0.25	projection	amphenol-icc.com		rel level	
angular	0°	$\pm 5^\circ$	projection	MINI COOL EDGE CONNECTOR		cat. no.	C ME102241010X01X	rev
				V/T, 224PIN, 0.6mm PICTH, SMT				A
				product family				sheet 3 of 4



15PCS CONNECTOR/TRAY

270PCS/CARTON
CARTON SIZE: 337X292X190

spec ref	S-ME-004			dr	Rocky	May.12,2021	<h1>Amphenol</h1>	mm	scale	size
tolerance std	TOLERANCES UNLESS OTHERWISE SPECIFIED			eng	Rocky	May.12,2021		←	5:2	A3
surface	✓	linear	0.X ±	r vwr	Ken.Xiang	May.12,2021		ecn no	CD2440	
		angular	0° ±	appr				rel level		
				projection			amphenol-icc.com		cat. no.	rev
				title	MINI COOL EDGE CONNECTOR V/T, 224PIN, 0.6mm PITCH, SMT		C ME102241010X01X		A	
				product family					sheet 4 of 4	