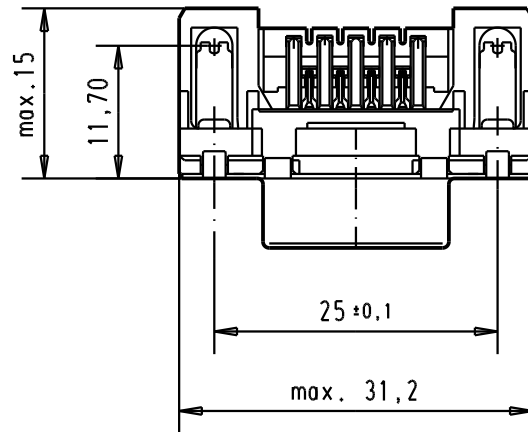
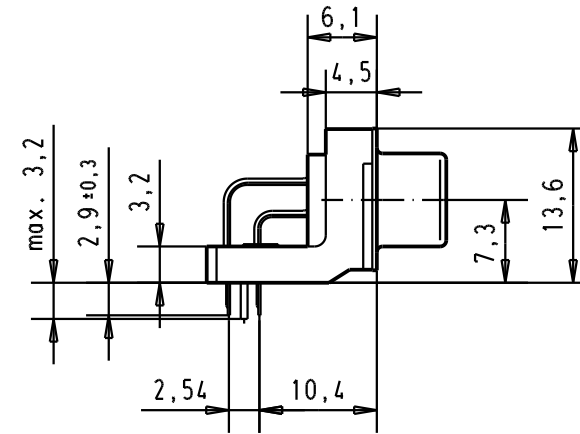
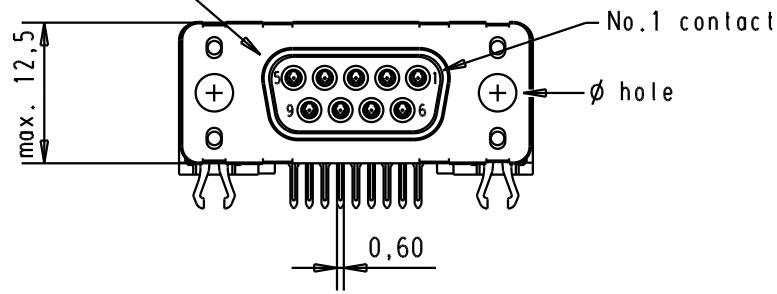
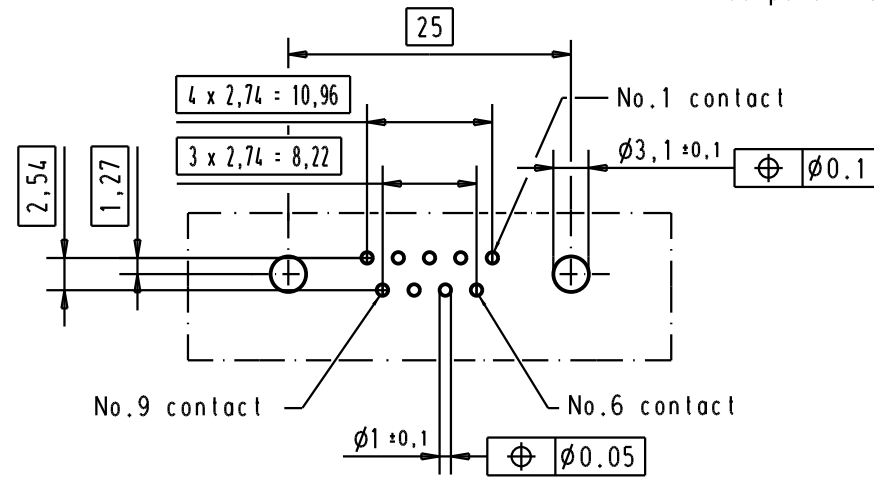




Mating face according to : MIL-C-24308 / DIN 41652 / CECC 75301-802



PCB layout hole component side



Connector retention and insertion forces on the PCB = 25 / 80 newtons

						Dat.	Name	 All Dim. in mm Orig. Size DIN A 4	D-Sub 09 poles standard angle female, solder pin with hole and grounding board lock.	Moßstab/ Scale	
						Detail.	20/nov/00			jfb	1.5:1
						Insp.					
						Stand.					
A	09 66 152 3610	3.1 ± 0.1	1	31892	05/05/04	JH	HARTING EURL F-95972 Paris		TB 0966152x61x	Blatt/ Page	
	09 66 152 6610	3.1 ± 0.1	2	31084	04/SEP/02	YT			Sub.	4/5	
	09 66 152 7610	3.1 ± 0.1	3	27957	20/nov/00	jfb					
	Part number	ø hole	Performance level	Mod.	Dat.	Name					