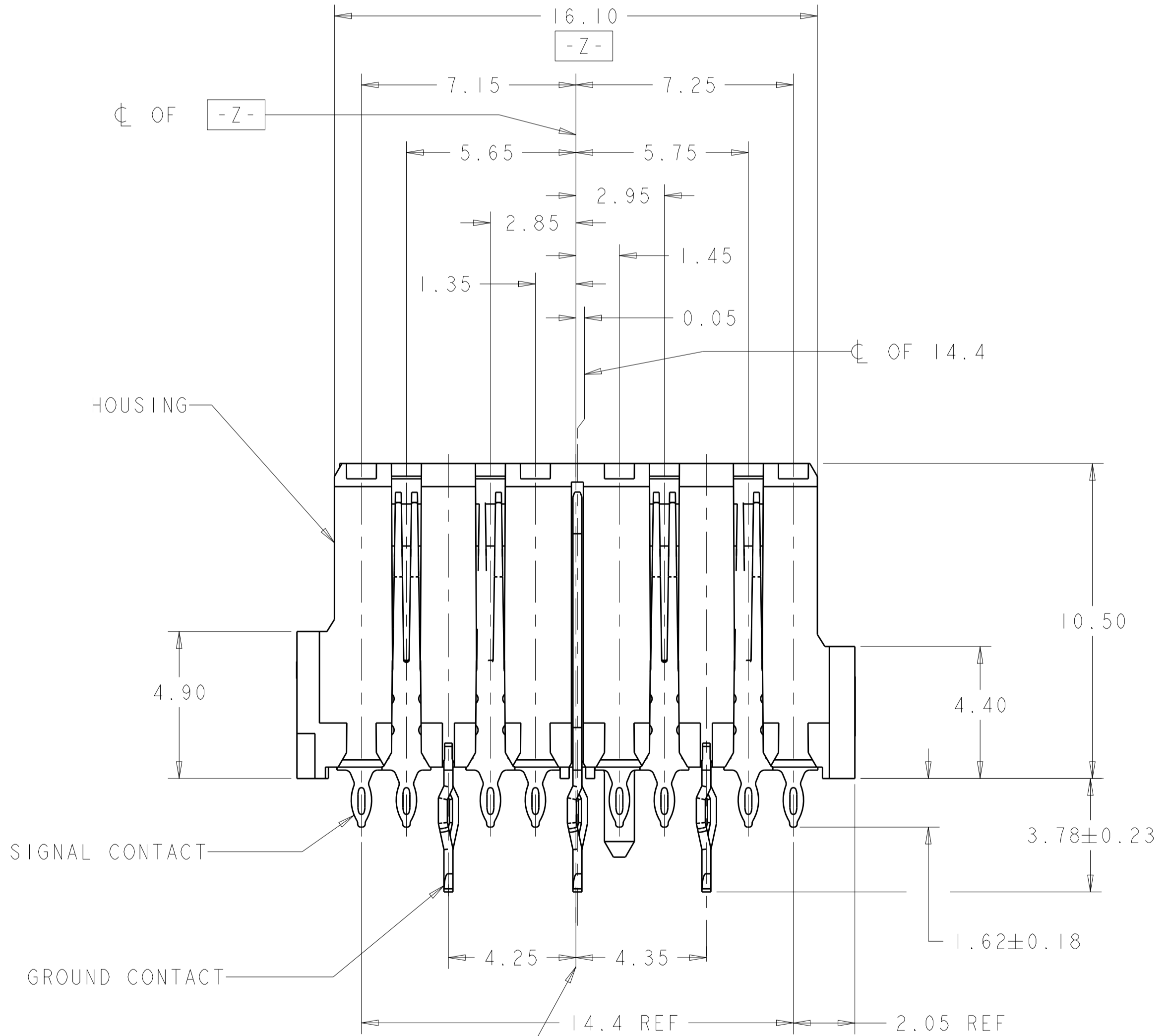
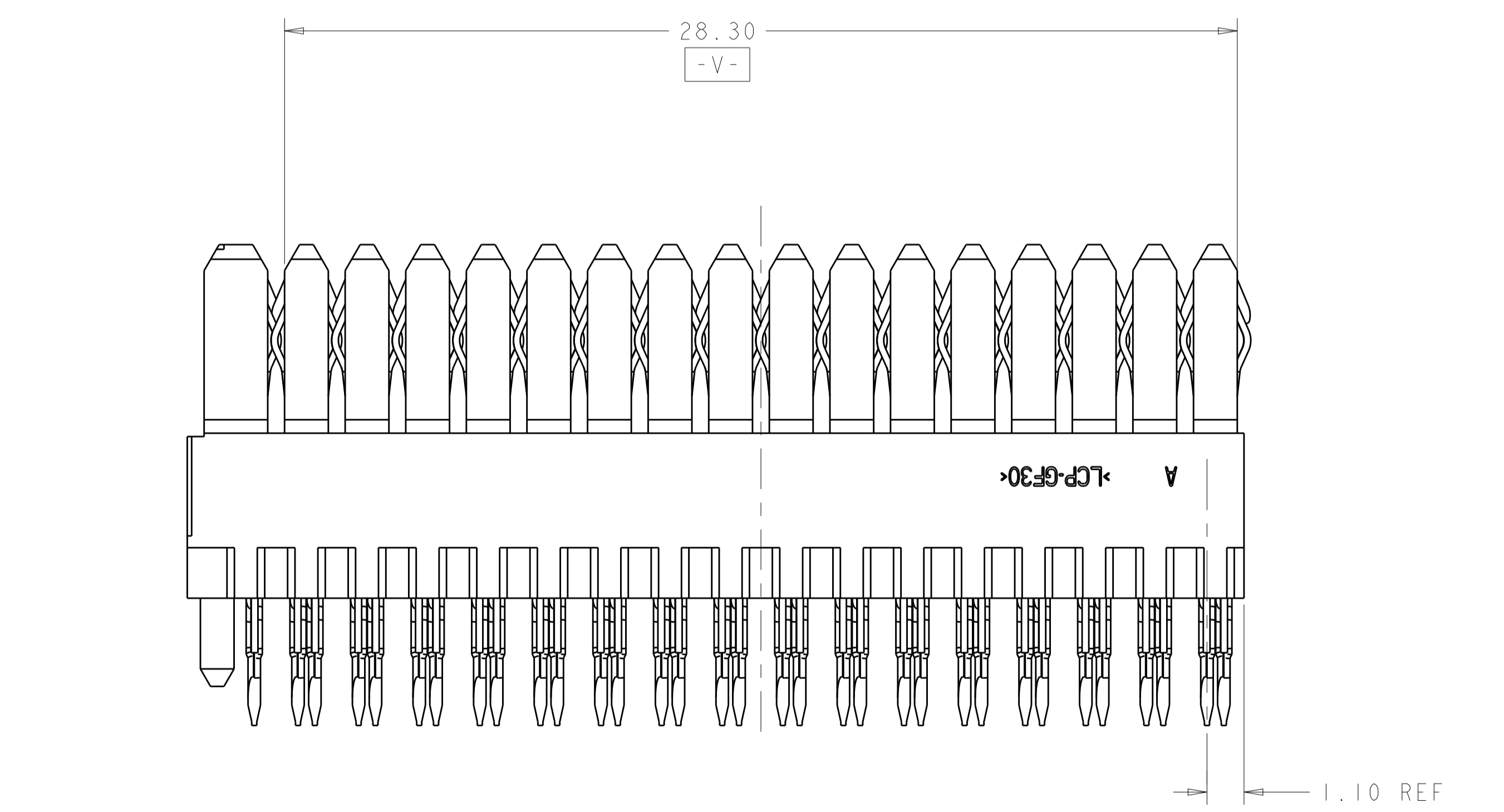
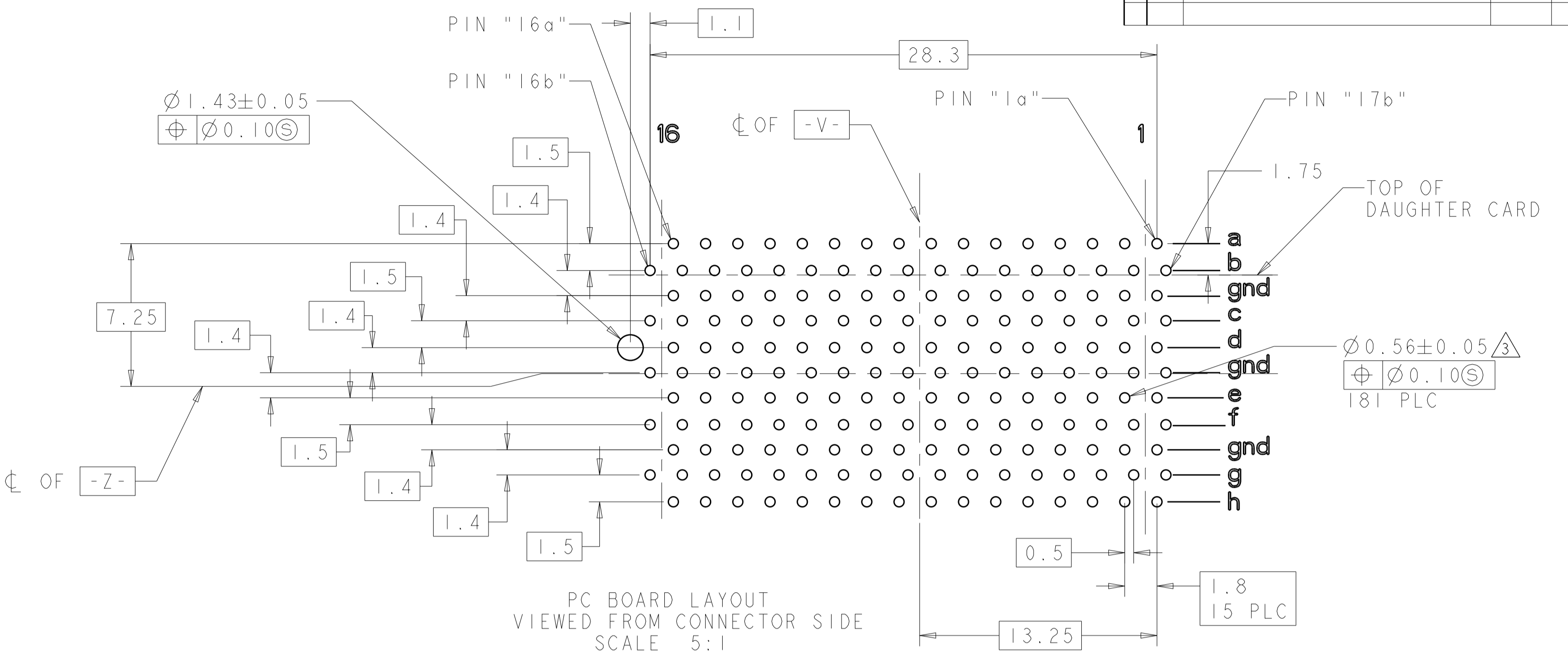
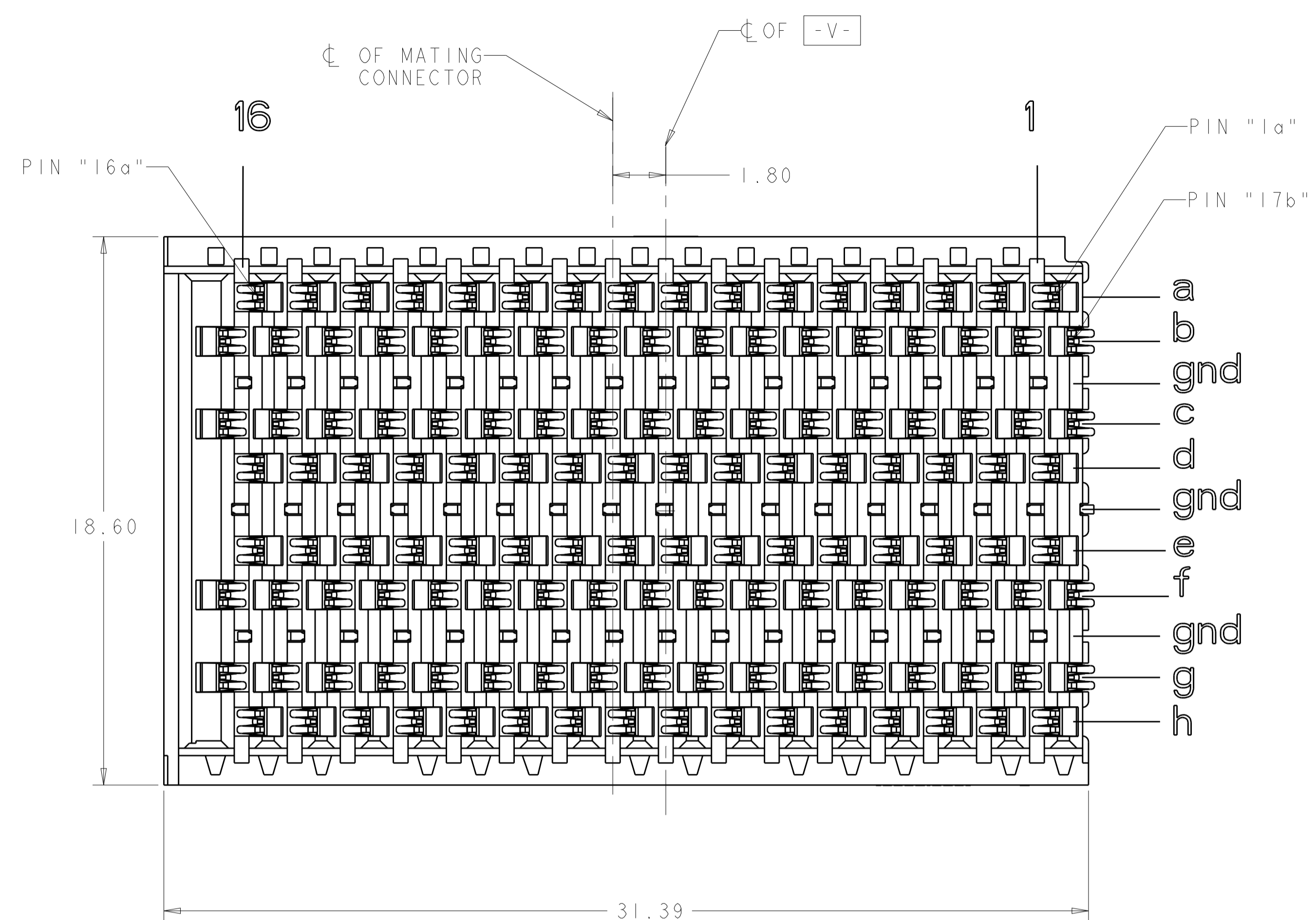


REVISIONS				
REV	DATE	BY	CHK	APPV
E	8-7-14	CT	DH	
REV PER ECO 14-012106				



- 1 HOUSING: LCP, UL94V-0, BLACK. CONTACT: PHOSPHOR BRONZE.
- 2 1.27 μm GOLD PER ASTM B 488 IN CONTACT AREA, 1.27 μm MIN TIN-LEAD ON PCB TAIL, OVER 3.81 μm MIN NICKEL PER SAE AMS-QQ-N-290 OVER ALL.
- 3 PLATE THROUGH HOLES PER TE SPEC. 114-13056, FIGURE 4.
- 4 1.27 μm GOLD PER ASTM B 488 IN CONTACT AREA, 1.27 μm MIN MATTE TIN PER ASTM B 545 ON PCB TAIL, OVER 3.81 μm MIN NICKEL PER SAE AMS-QQ-N-290 OVER ALL.

4	1410202-2
2	1410202-1
CONTACT TAIL/HOLE FINISH	
PART NO	

THIS DRAWING IS A CONTROLLED DOCUMENT.

OWN	R. TREA	30JAN2003
CHK	D. DEFIBAUGH	30JAN2003
APPV	D. DEFIBAUGH	30JAN2003
PRODUCT SPEC	108-2072	
APPLICATION SPEC	114-13056	
WEIGHT	-	
CUSTOMER DRAWING	SCALE 8:1 SHEET 1 OF 1 REV E	

STE TE Connectivity

ASSEMBLY, VERTICAL RECEPTACLE, RIGHT END, FULL, 20.3mm, Multigig RT-1, BACKPLANE CONNECTOR

SIZE CAGE CODE DRAWING NO RESTRICTED TO

A100779C=1410202