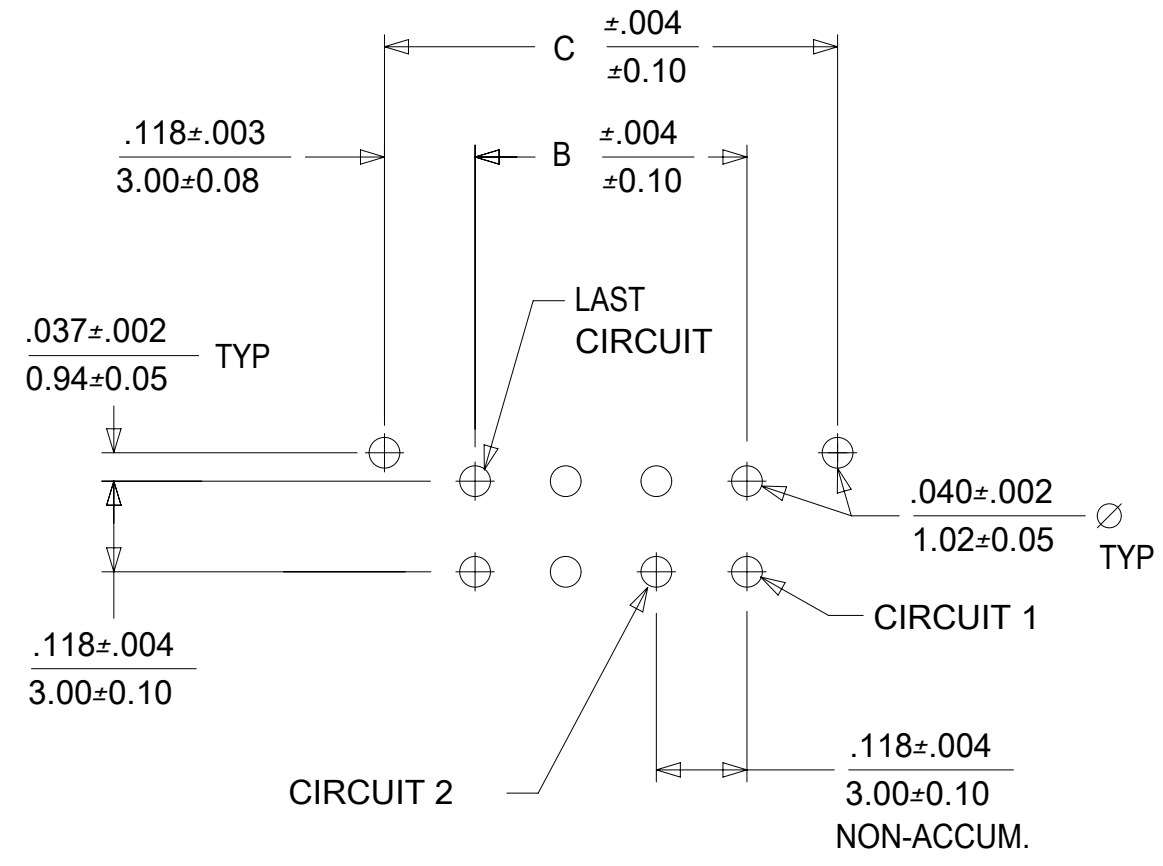
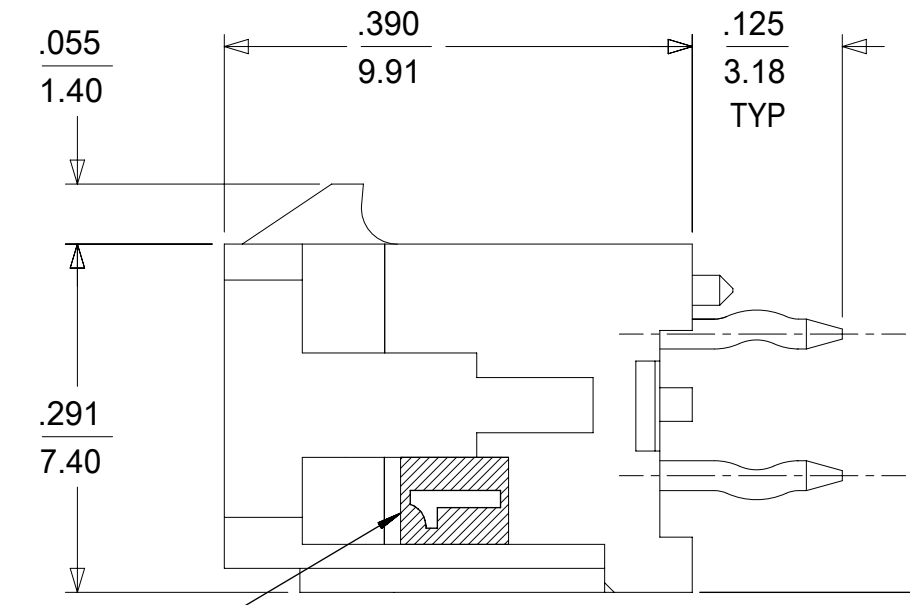
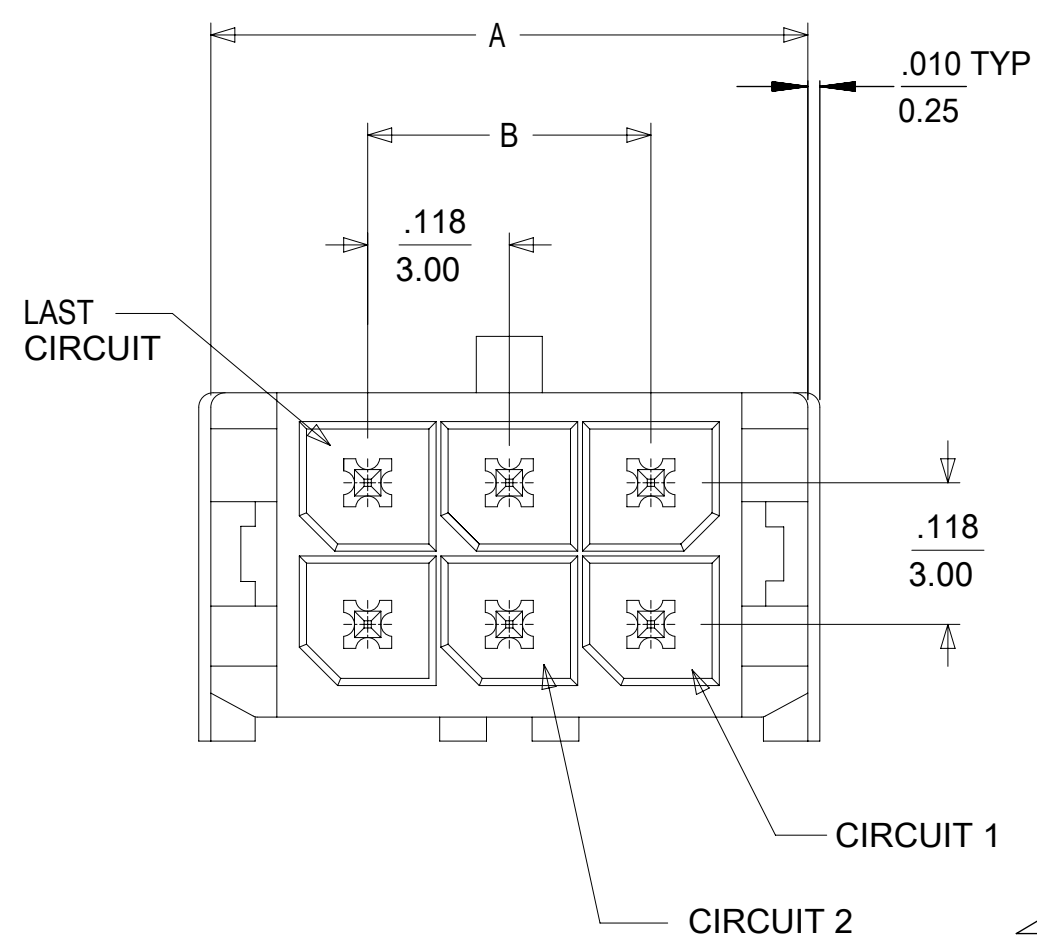


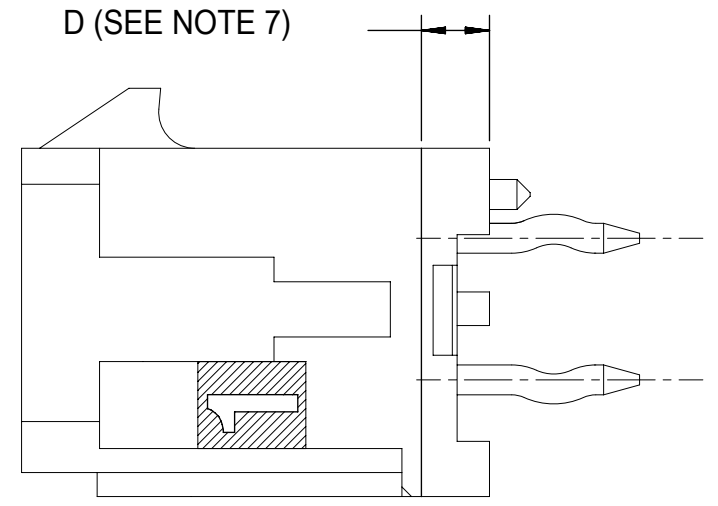
NOTE : (2) POLARIZATION PEGS ARE SHOWN. HOWEVER, ASSEMBLIES MAY BE MANUFACTURED WITH (1) PEG ONLY.



PCB LAYOUT: COMPONENT SIDE
RECOMMEND PCB THICKNESS: .062/1.57



CIRCUIT "1" IDENTIFIED ON THIS SURFACE (APPROX. LOCATION SHOWN FOR REF.)



CKTS	A	B	C
02	.262 6.65	NA	.236 6.00
04	.380 9.65	.118 3.00	.354 9.00
06	.498 12.65	.236 6.00	.472 12.00
08	.616 15.65	.354 9.00	.591 15.00
10	.734 18.65	.472 12.00	.709 18.00
12	.852 21.65	.591 15.00	.827 21.00
14	.970 24.65	.709 18.00	.945 24.00
16	1.088 27.65	.827 21.00	1.063 27.00
18	1.206 30.65	.945 24.00	1.181 30.00
20	1.325 33.65	1.063 27.00	1.299 33.00
22	1.443 36.65	1.181 30.00	1.417 36.00
24	1.561 39.65	1.299 33.00	1.535 39.00

- NOTES:
- HOUSING MATERIAL: GLASS FILLED LIQUID CRYSTAL POLYMER, UL94V-0, COLOR: BLACK.
TERMINAL MATERIAL: BRASS ALLOY.
 - FINISH: A = .000060/(0.00152) MIN. REFLOWED MATTE TIN OVER .000050/(0.00127) MIN. NICKEL PLATE. (FINISH IS BRIGHT IN APPEARANCE, THICKNESS AS APPLIED PRIOR TO REFLOW)
B = .000015/(0.0038) MIN. SELECT GOLD IN CONTACT AREA, .000100/(0.00254) MIN. SELECT MATTE TIN ON SOLDER TAILS, BOTH OVER .000050/(0.00127) MIN. NICKEL PLATE.
C = .000030/(0.00076) MIN. SELECT GOLD IN CONTACT AREA, .000100/(0.00254) MIN. SELECT MATTE TIN ON SOLDER TAILS, BOTH OVER .000050/(0.00127) MIN. NICKEL PLATE.

- PRODUCT SPECIFICATION: PS-43045.
- PACKAGING: TAPE & REEL PER 430450009-PK.
- MATES WITH MICROFIT (3.0) RECEPTACLE SERIES 43025.
- THIS PART CONFORMS TO CLASS B REQUIREMENTS OF COSMETIC SPECIFICATION PS-45499-002.
- CIRCUIT SIZES 2-6: "D" IS .265/6.74 FOR .010/0.25 STEP
CIRCUIT SIZES 8-24: "D" IS .063/1.60 FOR .010/0.25 STEP.
- TEXT ON PART IS FOR REFERENCE ONLY. TEXT AND TEXT LOCATION MAY VARY DEPENDING ON PART NUMBER AND/OR TOOL.

CKTS	TOOLED	FINISH A MATERIAL NO:	FINISH B MATERIAL NO:	FINISH C MATERIAL NO:
02	YES		43045-0306	
04	YES		43045-0506	
06	YES		43045-0706	
08	YES		43045-0906	
10	YES		43045-1106	
12	YES		43045-1306	
14	YES		43045-1506	
16	YES		43045-1706	
18	YES		43045-1906	
20	YES		43045-2106	
22	NO		43045-2306	
24	YES		43045-2506	

THIS DRAWING CONTAINS INFORMATION THAT IS PROPRIETARY TO MOLEX ELECTRONIC TECHNOLOGIES, LLC AND SHOULD NOT BE USED WITHOUT WRITTEN PERMISSION

SYMBOLS: $\nabla = 0$, $\nabla = 0$, $\nabla = 0$, $\nabla = 0$, $\nabla = 0$, $\nabla = 0$, $\nabla = 0$, $\nabla = 0$, $\nabla = 0$, $\nabla = 0$

DIMENSION UNITS: IN/MM, SCALE: NTS

GENERAL TOLERANCES (UNLESS SPECIFIED):
 4 PLACES ±, 3 PLACES ± 0.01, 2 PLACES ± 0.25 ± 0.014, 1 PLACE ± 0.36 ±, 0 PLACES ±

ANGULAR TOL ± 0.5°

DRAFT WHERE APPLICABLE MUST REMAIN WITHIN DIMENSIONS

THIRD ANGLE PROJECTION

CURRENT REV DESC: MICROFIT PK SPEC REF

EC NO: 611607
 DRWN: SALHAMY 2019/01/03
 CHK'D: SSOUSEK 2019/08/09
 APPR: FSMITH 2019/08/15

INITIAL REVISION:
 DRWN: JDFOX 2014/09/30
 APPR: FSMITH 2014/10/23

DRAWING: C-SIZE, SERIES: 43045

DOCUMENT NUMBER: SD-43045-042, DOC TYPE: PSD, DOC PART: 001, REVISION: A2

MATERIAL NUMBER: SEE CHART, CUSTOMER: GENERAL MARKET, SHEET NUMBER: 1 OF 1