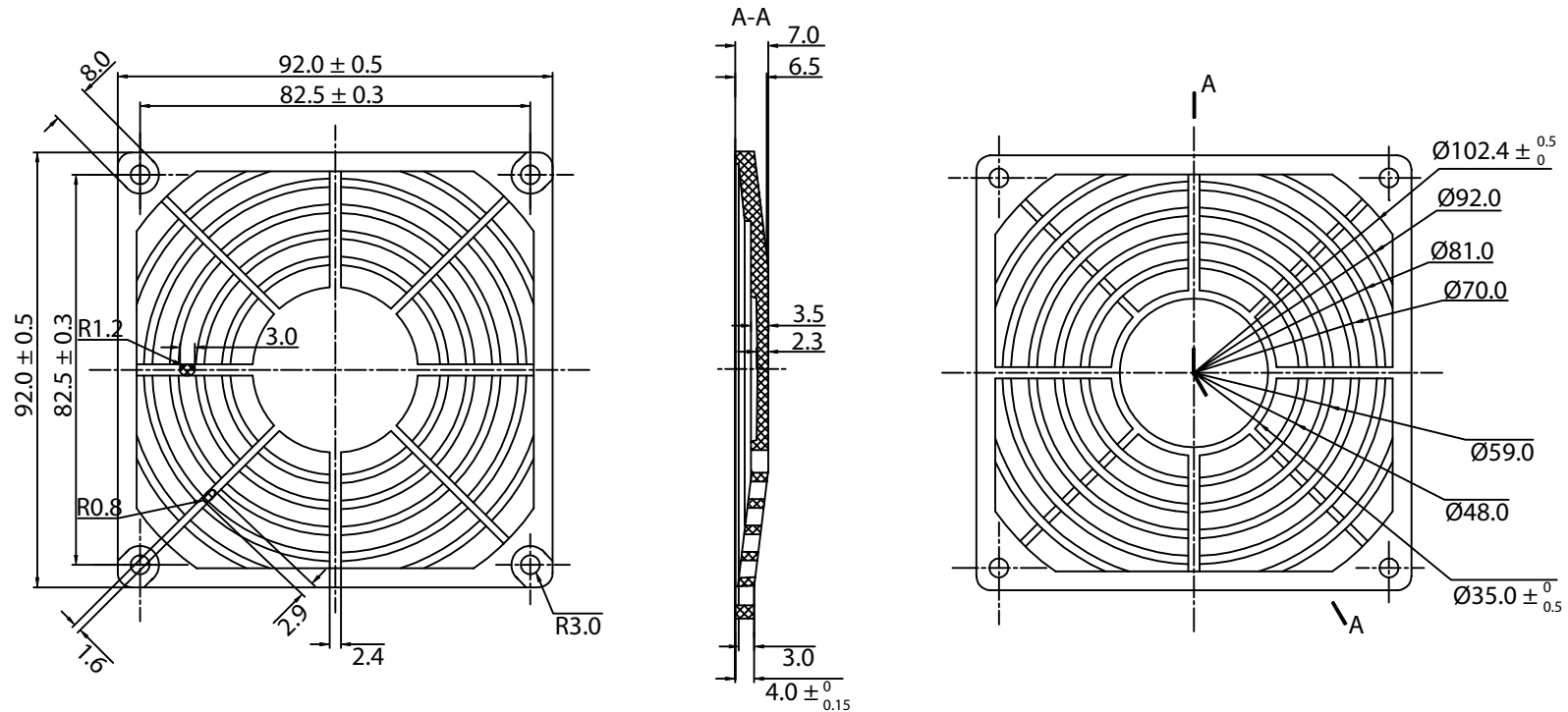


THESE DRAWINGS ARE THE PROPERTY OF QUALTEK ELECTRONICS AND NOT TO BE REPRODUCED FOR OR COMMUNICATED TO A THIRD PARTY WITHOUT THE EXPRESS WRITTEN PERMISSION OF AN OFFICER OF QUALTEK ELECTRONICS.

REVISION			
REV.	DESCRIPTION	DATE	APPROVED
B	RoHS Compliancy	06-01-06	DP



**CONTROLLED**

NOTES:

MATERIAL: PBT UL94V-0  
RoHS COMPLIANT

Dim range (mm)	Tolerance +/- (mm)	Qualtek Electronics Corp. FAN-S DIVISION		
		Part Number: <b>09363-G</b>		
0-5	0.1	Description: <b>PLASTIC FAN GUARD</b>		
5-16	0.15	UNIT: mm	REV: B	
16-64	0.2	Drawn / Date	Checked / Date	Approved / Date
64-250	0.4	B. ZHANG 10-17-03	10-17-03	JJH / 10-17-03
250-1000	0.5			
1000-1500	1.0			