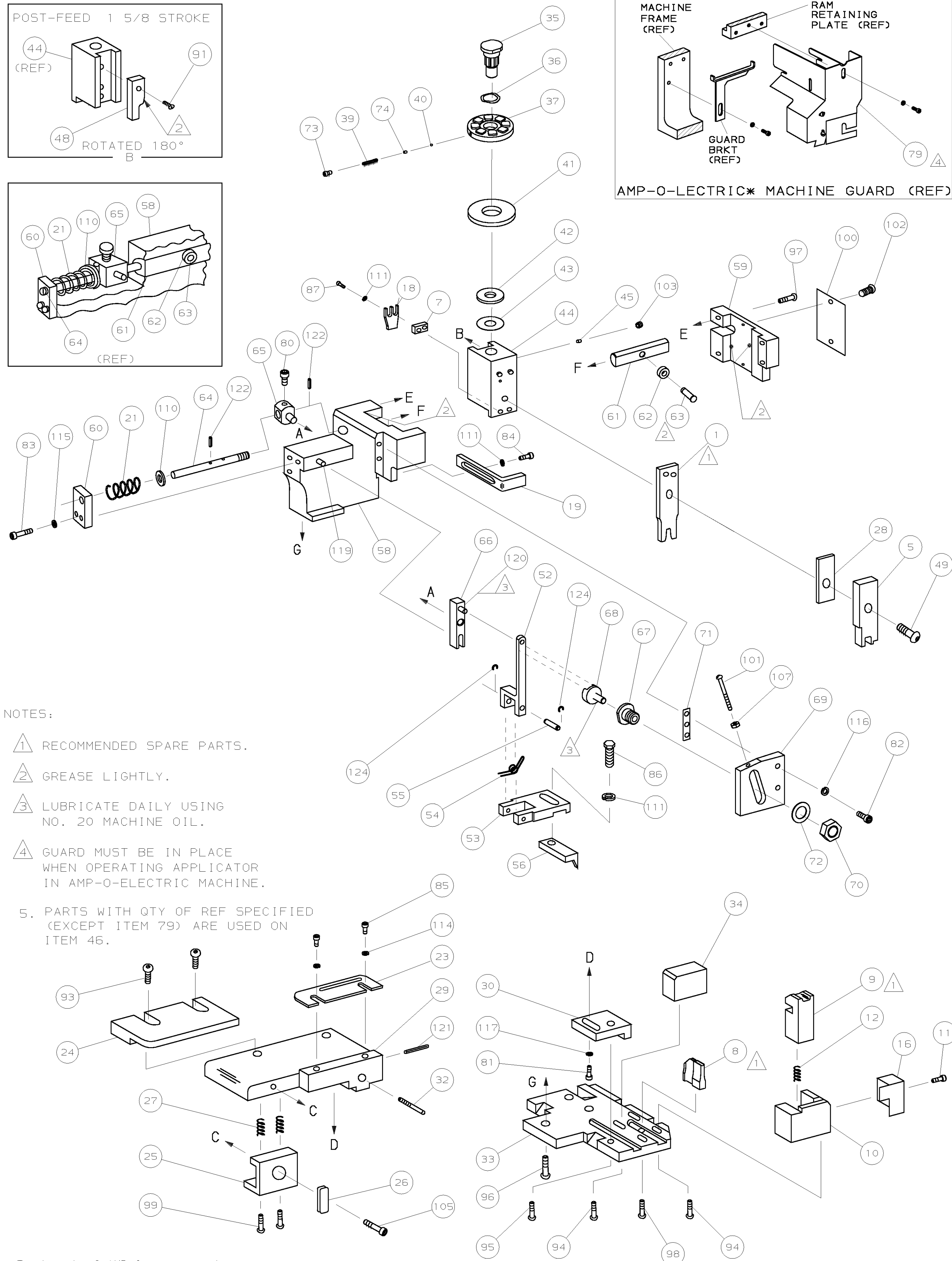
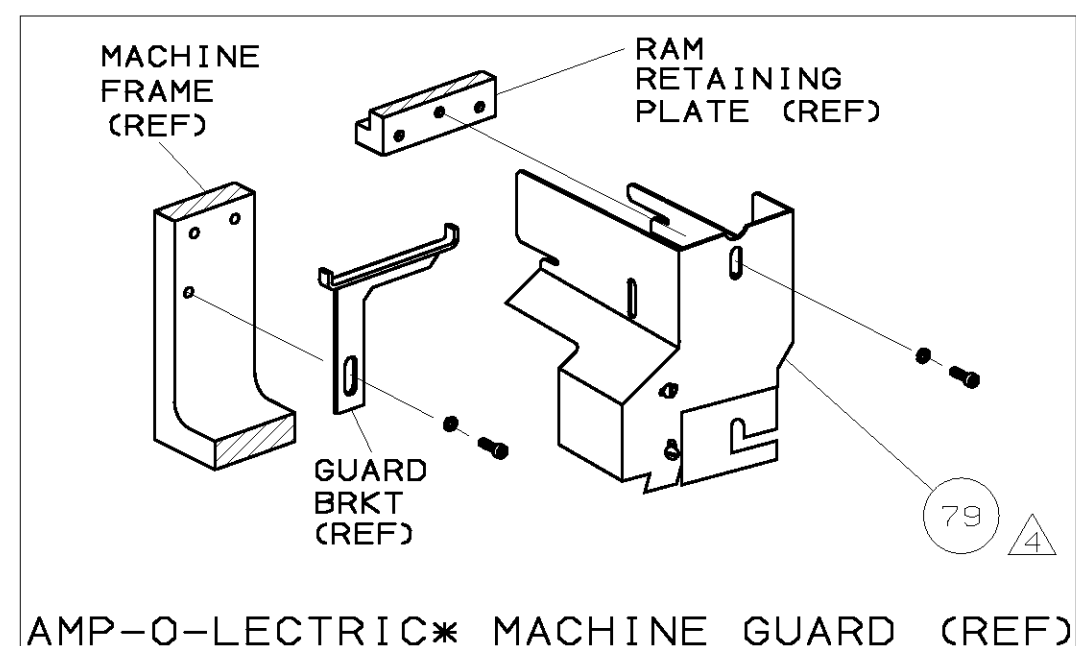
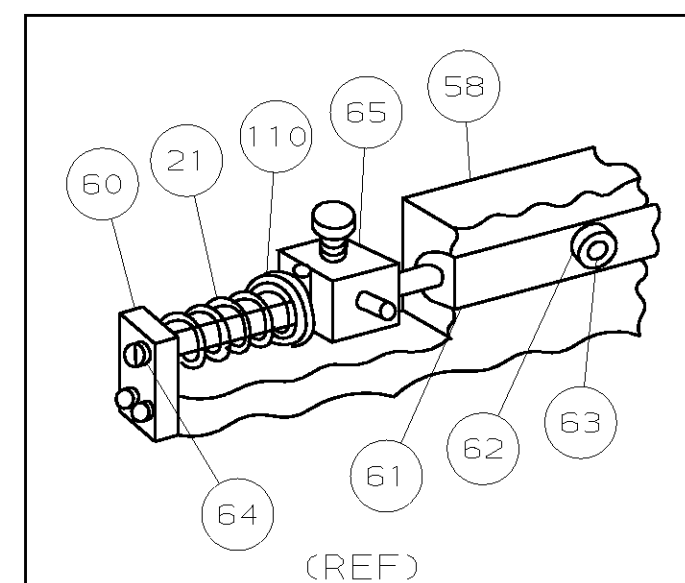
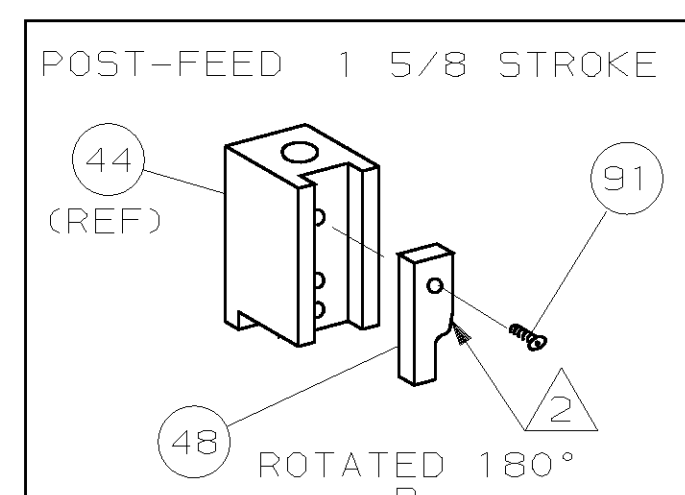


THIS DRAWING IS A CONTROLLED DOCUMENT.



- NOTES:
- 1 RECOMMENDED SPARE PARTS.
  - 2 GREASE LIGHTLY.
  - 3 LUBRICATE DAILY USING NO. 20 MACHINE OIL.
  - 4 GUARD MUST BE IN PLACE WHEN OPERATING APPLICATOR IN AMP-O-ELECTRIC MACHINE.
  - 5. PARTS WITH QTY OF REF SPECIFIED (EXCEPT ITEM 79) ARE USED ON ITEM 46.

THIS DRAWING IS UNCLASSIFIED  
 RELEASED FOR PUBLICATION  
 21 MAR 2008  
 BY AMP INCORPORATED. ALL RIGHTS RESERVED.  
 © COPYRIGHT 2000

D151  
66 \* Trademark of AMP Incorporated

REF	21045-3	RING, RET "C" (.187ø) FEED FINGER PIN	124	REF	454220-1	CAP, HOUSING	59
REF	5-21028-1	PIN, SLT SPR (.125øx.50) ADJ ROD	123	REF	454485-1	HOUSING	58
1	4-21028-0	PIN, SLT SPR (.093øx.75) ST GUIDE PL	121				57
REF	1-21030-1	PIN, DOWEL (.187øx.50) LEVER	120	1	458537-2	PAWL, FEED	56
REF	1-21030-6	PIN, DOWEL (.187øx1.25) HOUSING	119	REF	240624-1	PIN, FEED FINGER	55
			118	REF	691499-1	SPRING, FEED FINGER	54
1	21024-5	WASHER, LOCK (NO.10) ADJ BLOCK	117	REF	690541-1	FINGER, FEED	53
REF	21024-5	WASHER, LOCK (NO.10) ADJ PLATE	116	REF	455679-1	LEVER, TERMINAL FEED ARM	52
REF	21024-5	WASHER, LOCK (NO.10) FEED GUIDE ROD	115				51
2	21024-2	WASHER, LOCK (NO.4) FRONT STRIP GUIDE	114	1	7-21002-9	BOLT, CRIMPER (5/16-24x1.00)	49
			113	1	690501-4	CAM, POST-FEED 1 5/8 STROKE	48
			112				47
4	21024-4	WASHER, LOCK (NO.8) STRIPPER	111	1	459456-1	APPLICATOR, BASIC (SUBASSY)	46
REF	21899-4	WASHER, FLAT (5/16 DIA) SCREW ADJ	110	1	690191-1	PLUG, NYLON	45
			109	1	455673-1	RAM	44
			108	1	690125-1	WASHER, LAMINATED	43
REF	21018-5	NUT, HEX (6-32) FEED ADJ	107	1	690124-1	WASHER, RAM	42
			106	1	690223-1	DISC, SPACER	41
1	22353-8	SCR, SHLD (.187øx.25) DRAG LEVER	105	1	23241-6	BALL, STEEL	40
			104	1	690170-1	SPRING, COMPRESSION	39
1	21009-2	SCR, SKT SET (1/4-20x.25) LOC-WEL) RAM	103				38
2	21017-2	SCR, DRIVE (#2x.19) ID PLATE	102	1	1-690141-0	DISC, WIRE	37
REF	6-23715-5	SCR, PAN HD (6-32x1.50) FEED ADJ	101	1	22480-5	WASHER, SPRING	36
1	461264-1	PLATE, IDENTIFICATION	100	1	690212-1	POST, RAM	35
2	3-21002-0	SCR, BHC (10-32x.88) DRAG	99	1	1-690786-3	SUPPORT, TERMINAL	34
1	22733-8	SCR, BHC (8-32x.38) LOC-WEL) ANVIL	98	REF	455675-1	PLATE, BASE	33
REF	2-21002-9	SCR, BHC (10-32x.75) CAP	97	1	690432-3	SCREW, ADJUSTMENT	32
REF	2-22733-8	SCR, BHC (1/4-20x.62) HOUSING	96				31
REF	2-21002-7	SCR, BHC (10-32x.50) SG ADJ BLOCK	95	REF	455689-1	BLOCK, STRIP GUIDE ADJ	30
4	2-21002-2	SCR, BHC (8-32x.50) SHEAR	94	1	458144-1	PLATE, STRIP GUIDE	29
2	2-21002-2	SCR, BHC (8-32x.50) R STRIP GUIDE	93	1	2-455888-5	SPACER, FRONT SHEAR DEP	28
			92	2	1-22284-0	SPRING, DRAG	27
1	1-21002-7	SCR, BHC (6-32x.38) CAM	91	1	240793-1	LEVER, DRAG RELEASE	26
			90	1	240792-1	DRAG, STOCK	25
			89	1	9-690504-7	GUIDE, STRIP (REAR)	24
			88	1	690438-1	GUIDE, STRIP (FRONT)	23
2	2-21000-6	SCR, SKT CAP (8-32x.38) DEP-HOLD DOWN	87				22
1	2-22603-0	SCR, HEX HEAD (8-32x.31) FEED FINGER	86	REF	4-22284-9	SPRING, FEED RETURN	21
2	1-21000-3	SCR, SKT CAP (4-40x.25) F STRIP GUIDE	85				20
1	2-21000-7	SCR, SKT CAP (8-32x.50) STRIPPER	84	1	690472-2	STRIPPER	19
REF	3-21000-7	SCR, SKT CAP (10-32x.75) FEED ROD GD	83	1	460801-4	HOLDER, TERMINAL	18
REF	3-21000-6	SCR, SKT CAP (10-32x.62) FEED ADJ BLK	82				17
1	3-21000-4	SCR, SKT CAP (10-32x.38) SG ADJ BLK	81	1	691667-3	GUARD, CHIP (FRONT)	16
REF	3-21000-4	SCR, SKT CAP (10-32x.38) PIVOT BLOCK	80				15
REF	455755-1	GUARD, ASSY	79				14
			78				13
			77	1	5-22280-0	SPRING, SHEAR	12
			76	1	690461-1	STOP, SHEAR	11
			75	1	690459-5	HOLDER, SHEAR (FRONT)	10
1	690603-1	SPRING, ASSIST	74	1	454276-8	SHEAR, FLOAT (FRONT)	9
1	23030-1	SCR, SKT CAP (6-32x.25) CP DISC	73	1	5-683403-0	ANVIL	8
REF	458109-1	WASHER, SPECIAL	72	1	240641-1	SPACER, DEPRESSOR, REAR	7
REF	690517-1	SPACER	71				6
REF	22594-8	NUT, HEX	70	1	1-455889-4	DEPRESSOR, SHEAR (FRONT)	5
REF	240628-1	PLATE, ADJUSTMENT	69				4
REF	240626-1	SHAFT, PIVOT	68				3
REF	240633-1	BUSHING	67				2
REF	455680-1	LEVER, INTERMEDIATE	66	1	456411-2	CRIMPER, WIRE	1
REF	240629-1	BLOCK, PIVOT	65				
REF	240632-2	SCREW, ADJUSTMENT FEED ROD	64				
REF	240659-3	PIN, CAM ROLLER	63				
REF	240658-1	ROLLER, CAM	62				
REF	454398-2	ROD, FEED	61				
REF	454178-1	GUIDE, FEED ROD	60				

QTY	PART NO	DESCRIPTION	ITEM NO
TERM APPL SPEC 114-6044			
CRIMPING DATA			
PAD LTR	CRIMP HEIGHT	WIRE SIZE	WIRE STRIP LENGTH
A	.098	14	
B	.091	16	
C	.087	18	
D	NOT USED		
CRIMP SIZE	TYPE	FEED	APPL INST
WIRE .140	F	.730	AI 8040
INSUL -	-		
WIRE RANGE 14-18	INSULATION RANGE -	MACHINE NO -	
REMARKS			
AMPOMATOR POST FEED			

E2	ECN 0150-1153-04	TE	9-04	SET UP GAGE	10-1		
E1	ECN 0150-0633-03	TE	6-03	458637-1	L1410		
E	0150-0209-00	TB	8-97	DR 3/19/91	APP 4-12-91		
D	0150-7936-97	TB	8-97	P. MATHIAS	B. WOLFE		
C	ECN 0150-6049-95	CE	3-95	CHK 4-9-91	REL 4-15-91		
B	EC 0150-4088-92	-	-	P. MARTZ	M. ENTERLINE		
A	ECN A-350492	LK	1/92				