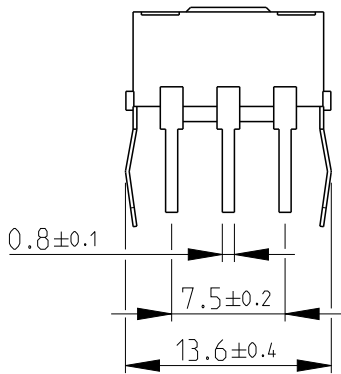
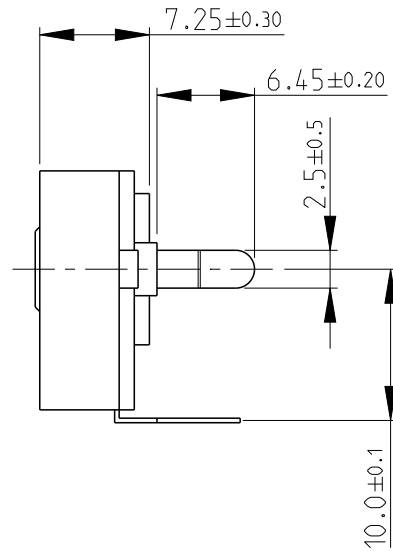
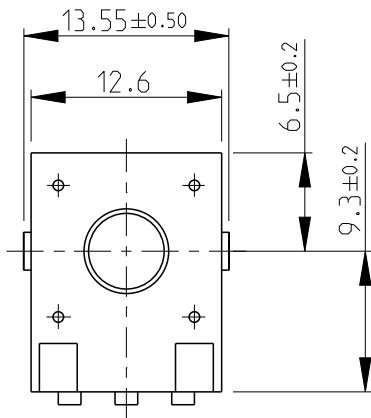
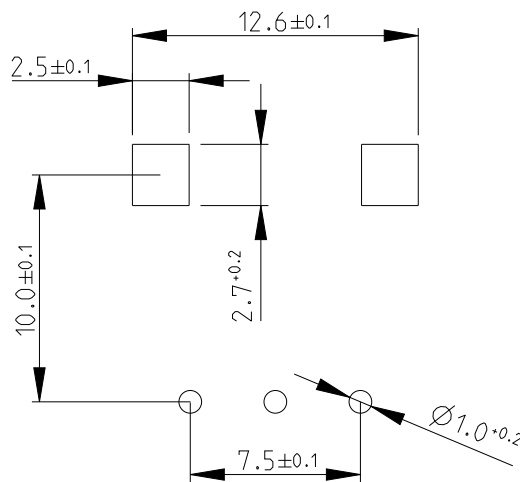


LOC E	DIST B	REVISIONS			
P	LTR	DESCRIPTION	DATE	DWN	APVD
	B2	ECR-14-000932	21JAN2014	KR	TN

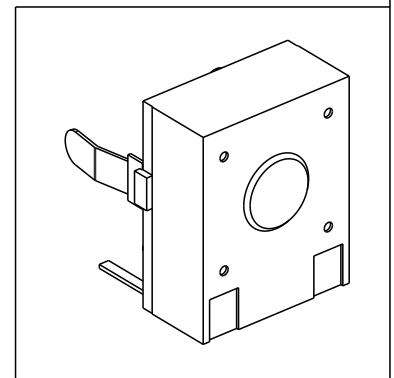


FOR FURTHER INFORMATION SEE DATA SHEET FOR 51 SERIES-SPINDLE OPERATED POTENTIOMETER

PCB PEIRING PLAN



RoHS Compliant



2008

RELEASED FOR PUBLICATION

ALL RIGHTS RESERVED.

THIS DRAWING IS UNPUBLISHED.

© COPYRIGHT 2008

DIMENSIONS: mm	DWN SUBHASH.M 01-Aug-08	MATERIAL -	FINISH -
TOLERANCES UNLESS OTHERWISE SPECIFIED:	CHK PRAKASH.S 01-Aug-08	TE Connectivity	
0 PLC ±0.5 1 PLC ±0.2 2 PLC ±0.1 3 PLC ±- 4 PLC ±- ANGLES ±5°	APVD STEPHEN.P 01-Aug-08		
	PRODUCT SPEC -	NAME SPINDLE OPERATED POTENTIOMETER SERIES 51	
	APPLICATION SPEC -	SIZE A 4	RESTRICTED TO -
	WEIGHT -	CAGE CODE 00779	DRAWING NO C=1624191
CUSTOMER DRAWING		SCALE 2:1	SHEET 1 OF 1 REV B2