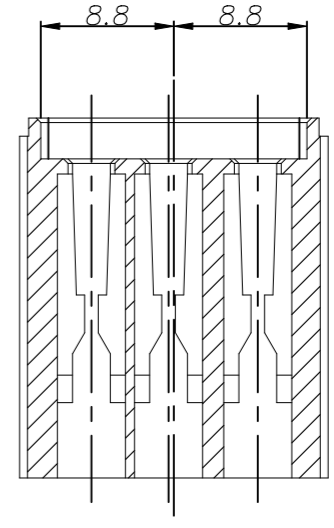
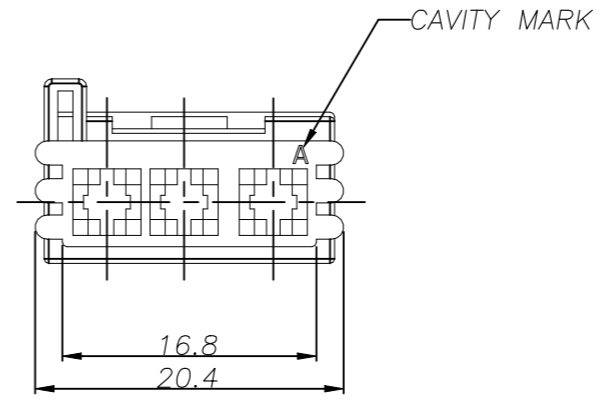
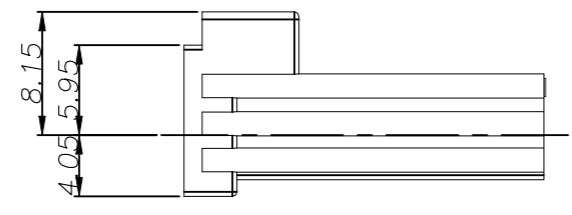
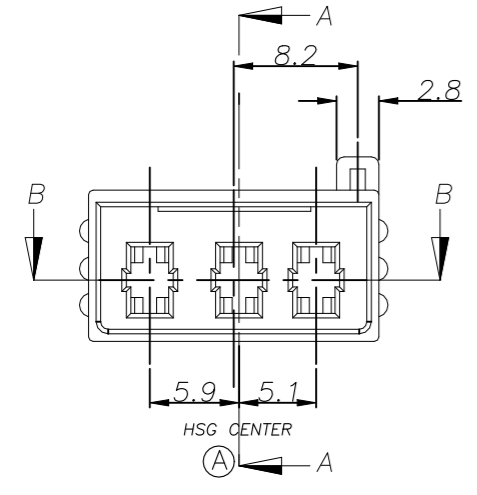
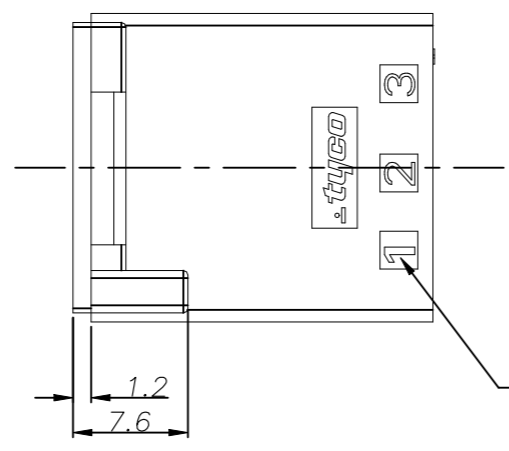
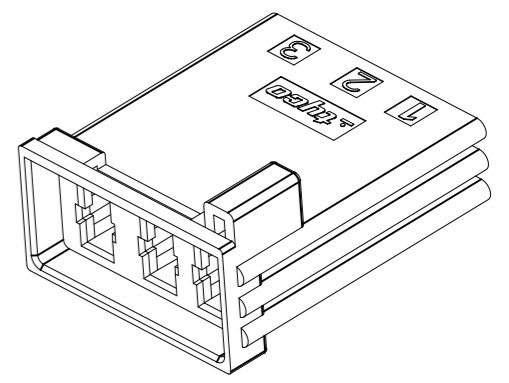
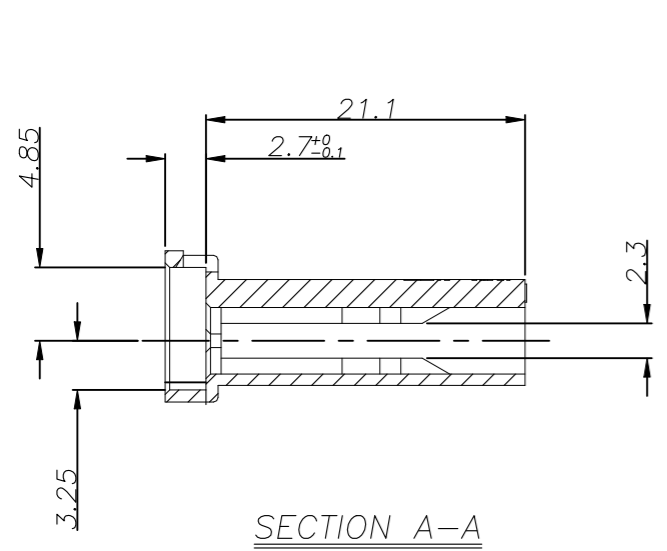


THIS DRAWING IS UNPUBLISHED. RELEASED FOR PUBLICATION  
 © COPYRIGHT - TE Connectivity Ltd. ALL RIGHTS RESERVED.

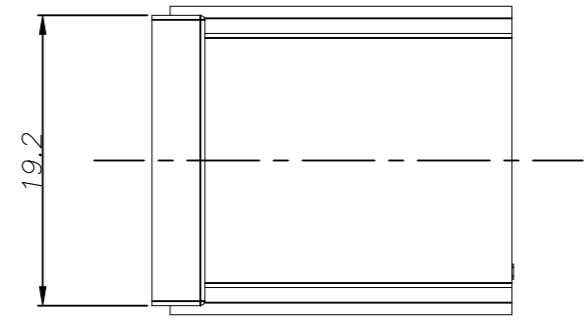
REVISIONS					
P	LTR	DESCRIPTION	DATE	DWN	APVD
	C	REVISED PER ECR-23-179953	27JUL2023	SS	RE



SECTION B-B



SECTION A-A



NOTES  
 1.GENERAL TOLERANCES : ±0.25,±1°  
 2.APPLICABLE CONTACT P/N : 1217039-1

2-1743217-1	PA66, UL94 V-0, GWIT 775, GWT 750	NATURAL
1-1743217-1	PA66, UL94 V-0	NATURAL
PART NO.	MATERIAL	COLOR

THIS DRAWING IS A CONTROLLED DOCUMENT.		DWN BH CHO	TE Connectivity Ltd.											
DIMENSIONS: mm		CHK BW KANG				NAME								
TOLERANCES UNLESS OTHERWISE SPECIFIED:		APVD JK SONG	GAS VALVE 3P CONNECTOR											
<table border="0"> <tr><td>0 PLC</td><td>± -</td></tr> <tr><td>1 PLC</td><td>± -</td></tr> <tr><td>2 PLC</td><td>± -</td></tr> <tr><td>3 PLC</td><td>± -</td></tr> <tr><td>4 PLC</td><td>± -</td></tr> <tr><td>ANGLES</td><td>± -</td></tr> </table>		0 PLC				± -	1 PLC	± -	2 PLC	± -	3 PLC	± -	4 PLC	± -
0 PLC	± -													
1 PLC	± -													
2 PLC	± -													
3 PLC	± -													
4 PLC	± -													
ANGLES	± -													
MATERIAL SEE TABLE		FINISH -	APPLICATION SPEC	SIZE A3	CAGE CODE 00779	DRAWING NO C-1743217	RESTRICTED TO							
CUSTOMER DRAWING			WEIGHT -	SCALE 2:1	SHEET 1 OF 1	REV C								