
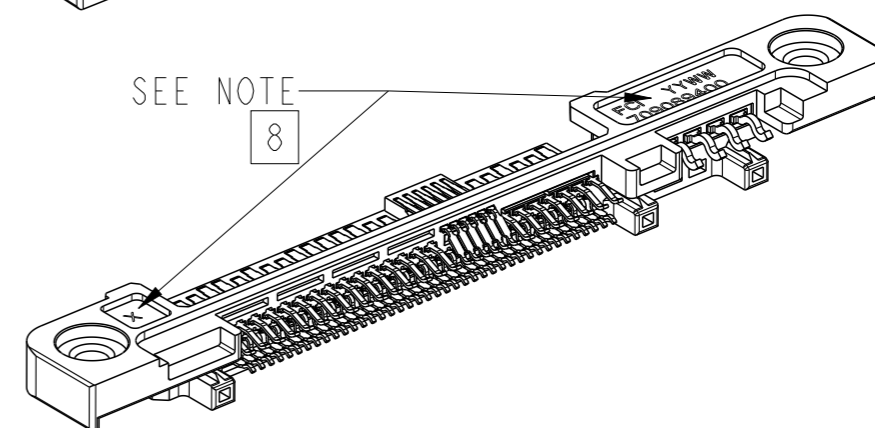
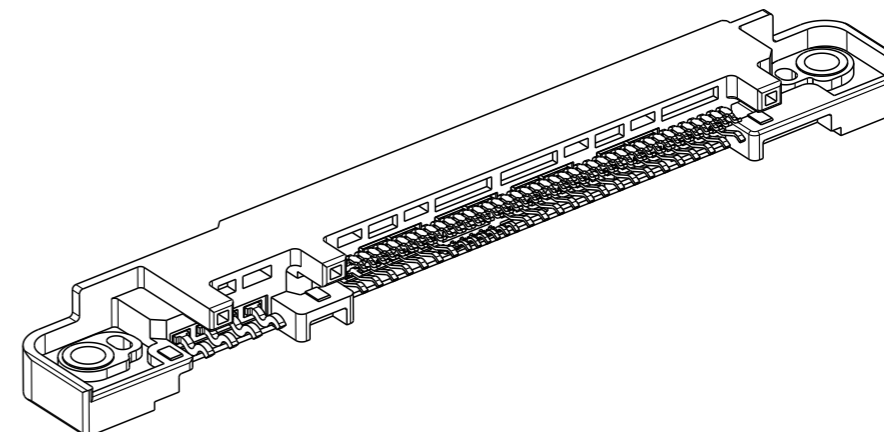
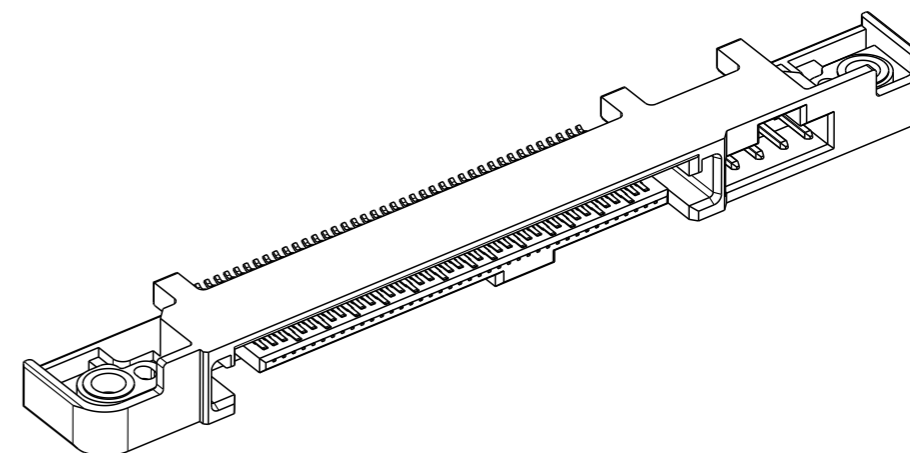
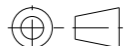


PRODUCT NUMBER	PACKAGING
10127091-001LF	TUBE

NOTES:

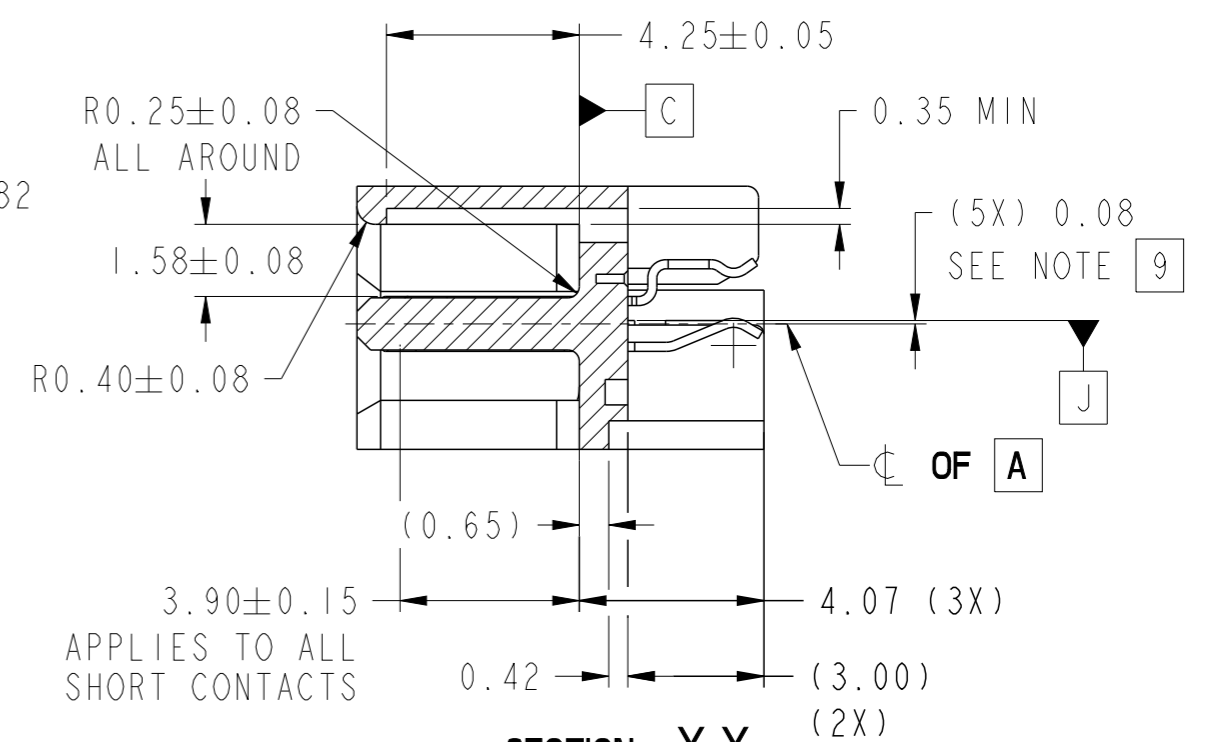
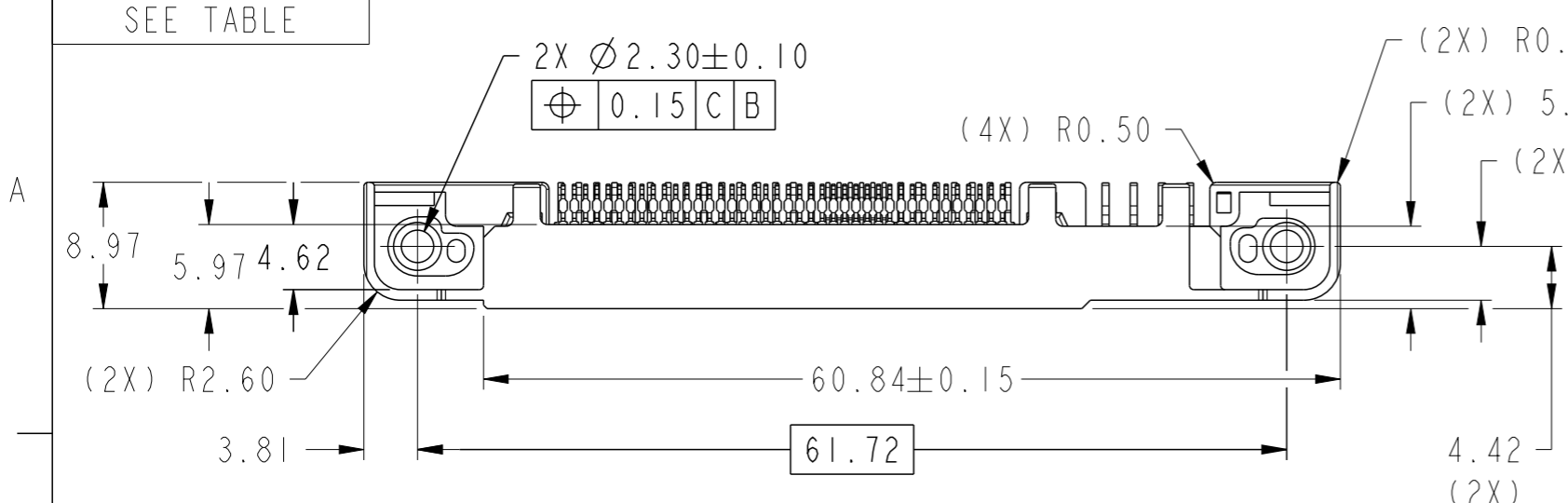
1. APPLICABLE INDUSTRY SPECIFIED
PCI EXPRESS CARD ELECTROMECHANICAL SPECIFICATION REVISION 3.0
SFF-8639 REV 1.9 WITH EXCEPTION TO MEET 12Gb/s SAS-3 ELECTRICAL AND
SIGNAL INTEGRITY SPECIFICATION. PRODUCT TO MEET THE ELECTRICAL AND
SIGNAL INTEGRITY SPECIFICATION FOR PCIe OPERATION ONLY.
2. MATERIALS:
HOUSING: HIGH TEMPERATURE THERMOPLASTIC, BLACK, UL94V-0
CONTACT AND JUMPER: COPPER ALLOY
3. FINISH:
CONTACT: 1.27um MIN./2.54um MAX Ni UNDERPLATE OVERALL, 0.76um MIN. Au ON CONTACT AREA,
1.91um MIN. 100% MATTE Sn(LEAD-FREE) ON SOLDERTAIL,
JUMPER: 1.27um MIN./2.54um MAX Ni UNDERPLATE OVERALL, 0.12um MIN. Au ON CONTACT AREA,
1.91um MIN. 100% MATTE Sn(LEAD-FREE) ON SOLDERTAIL,
4. PRODUCT SPECIFICATION: GS-12-1169
5. PACKAGING SPECIFICATION: GS-14-450
6. THIS PRODUCT MEETS EUROPEAN UNION DIRECTIVES AND OTHER COUNTRY
REGULATIONS AS DESCRIBED IN GS-47-0004
7. THE HOUSING WILL WITHSTAND EXPOSURE TO 260°C PEAK TEMPERATURE
FOR 10 SECONDS IN A CONVECTION, INFRA-RED OR VAPOR PHASE
REFLOW OVEN.
8. EACH CONNECTOR SHALL BE PERMANENTLY AND LEGIBLY MARKED WITH THE
SUPPLIER ID, CUSTOMER PART NUMBER AND DATE CODE OF MANUFACTURE.
9. DATUM J (PCB SITTING PLANE) DEFINED BY THE 5 INDICATED SURFACES.
COPLANARITY OF THE SOLDERTAIL TO MEET 0.10mm.
10. A SYMBOL  WILL BE NEXT TO ANY DIMENSION, VIEW OR NOTE WHICH HAS BEEN
MODIFIED WITH THE CURRENT DRAWING REVISION.



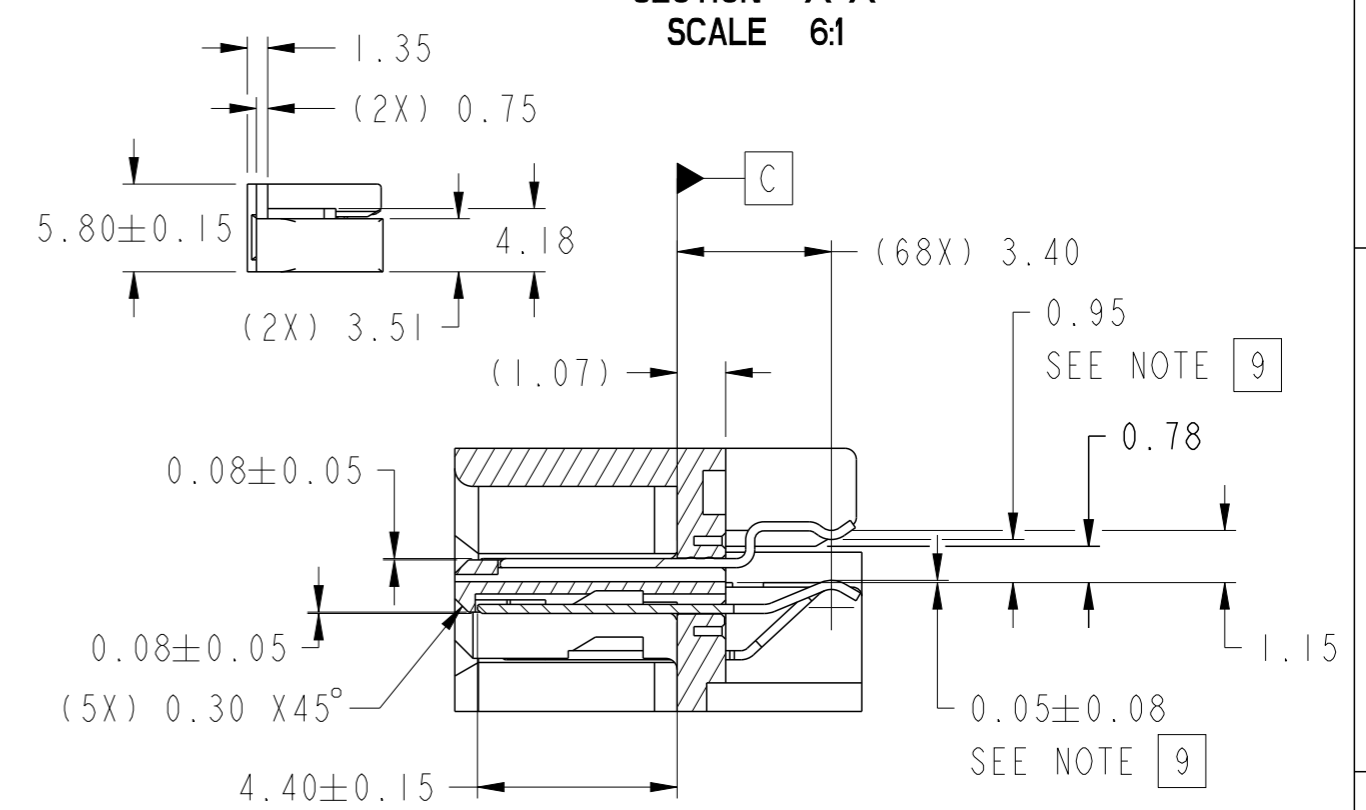
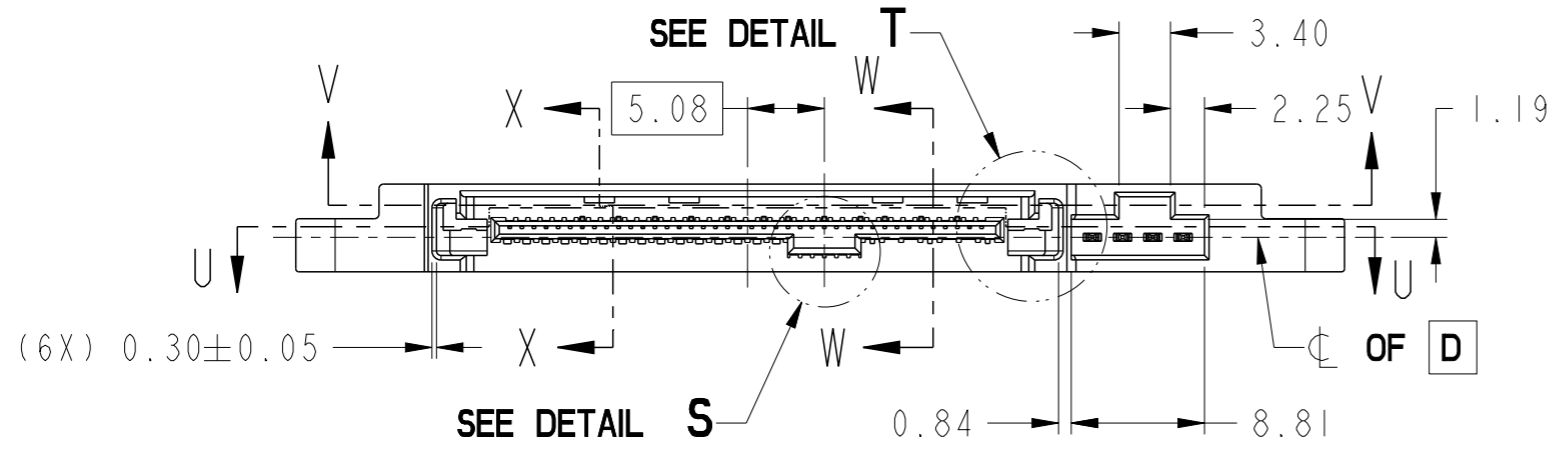
spec ref	ASME Y14.5			dr	S Paulpandian	2014/11/10	projection	MM	size	A3	scale	2:1		
tolerance std	TOLERANCES UNLESS OTHERWISE SPECIFIED			eng	S Paulpandian	2015/03/19		← →	ecn no		-			
surface	✓	linear	0.X ±0.3	chr	-	-			product family		PCIe	rel level		Released
				0.XX ±0.10	appr	Koon-Poh Tay	2015/03/19	SAS/PCIe PLUG CONNECTOR		dwg no		10127091	rev	A
			0.XXX ±0.020	www.fci.com			TYPE STR MOUNT		cat. no.		-		Product - Customer Drw	sheet 1 of 5
		angular	0° ±1°											



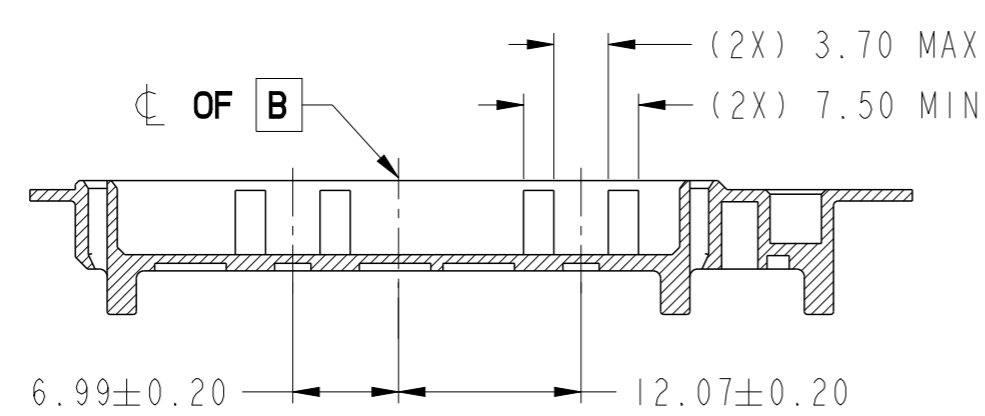
PRODUCT NUMBER
SEE TABLE



SECTION X-X
SCALE 6:1



SECTION W-W
SCALE 6:1

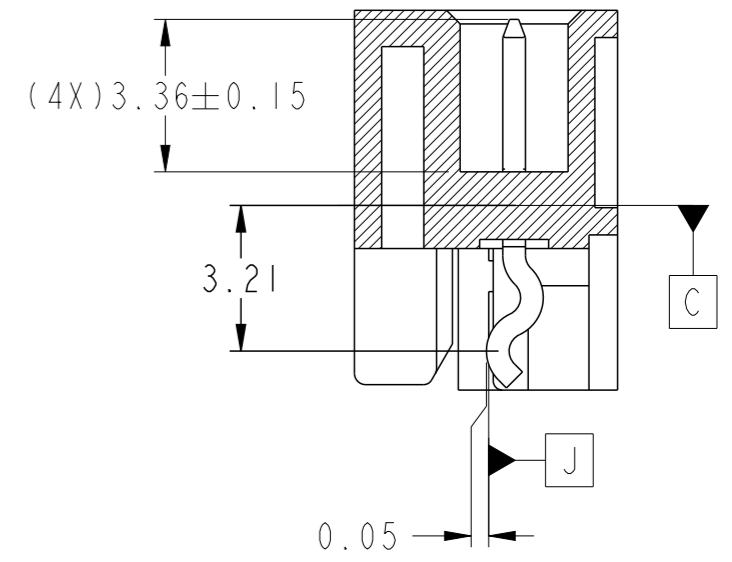
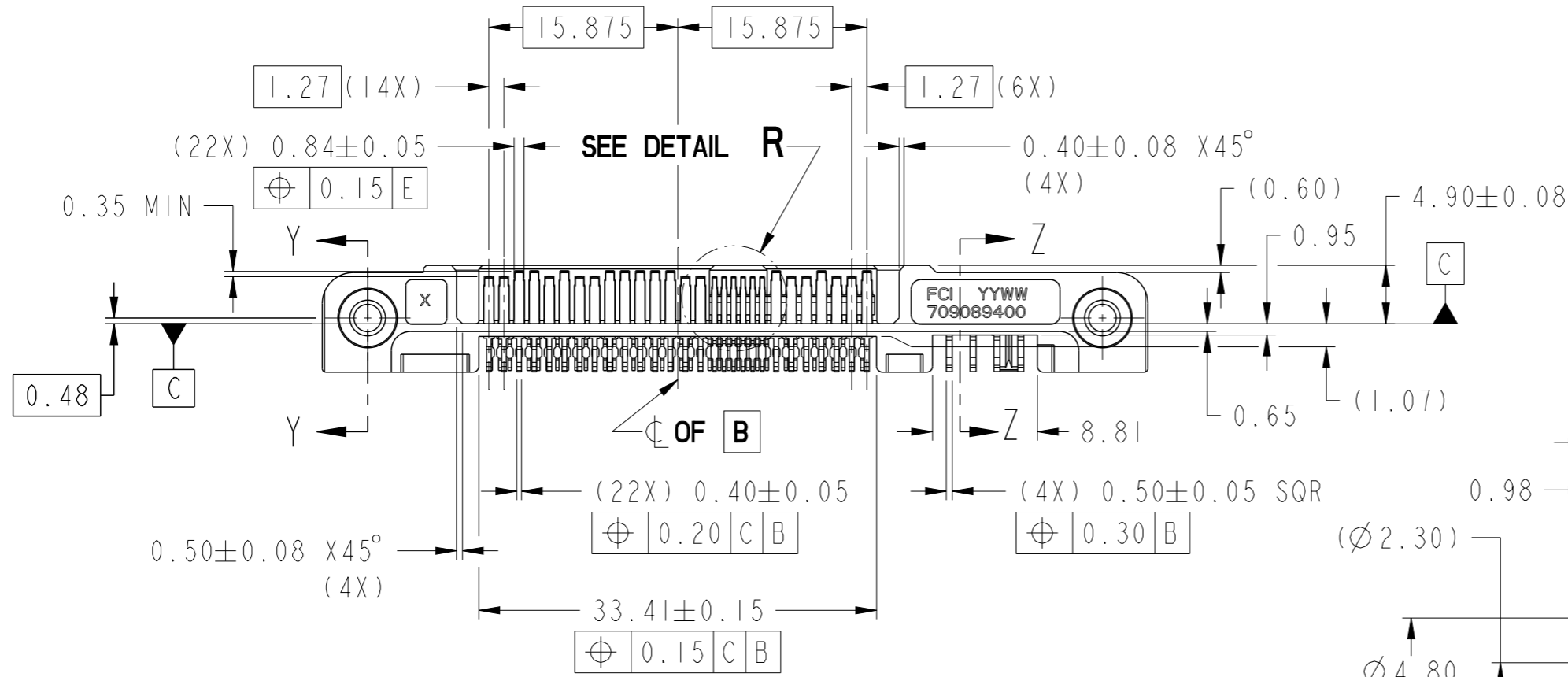


SECTION V-V

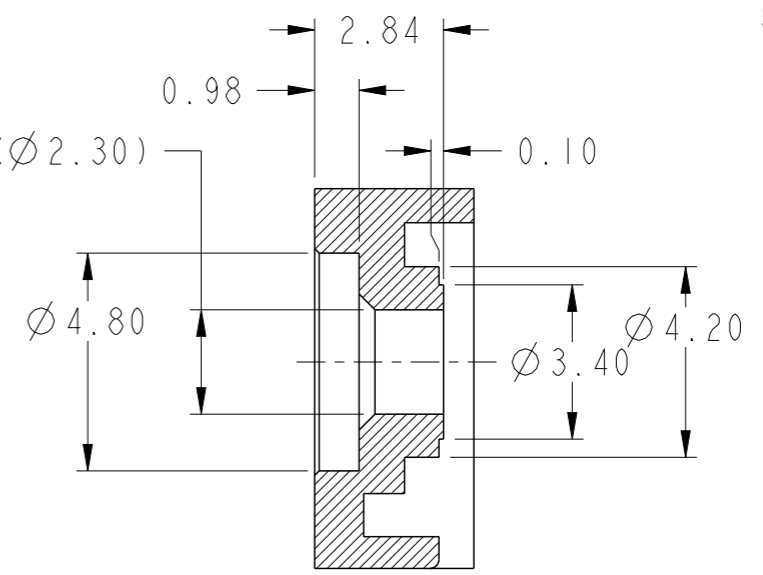
spec ref	ASME Y14.5	dr	S Paulpandian	2014/11/10	projection	MM	size	A3	scale	2:1										
tolerance std	ASME Y14.5	eng	S Paulpandian	2015/03/19			ecn no	-	rel level	Released										
TOLERANCES UNLESS OTHERWISE SPECIFIED		chr	-	product family							PCIe									
surface	<table border="1"> <tr> <td>linear</td> <td>0.X</td> <td>± 0.3</td> </tr> <tr> <td></td> <td>0.XX</td> <td>± 0.10</td> </tr> <tr> <td></td> <td>0.XXX</td> <td>± 0.020</td> </tr> <tr> <td>angular</td> <td>0°</td> <td>$\pm 1^\circ$</td> </tr> </table>	linear	0.X	± 0.3		0.XX	± 0.10		0.XXX	± 0.020	angular	0°	$\pm 1^\circ$		SAS/PCIE PLUG CONNECTOR		dwg no	10127091	rev	A
linear	0.X	± 0.3																		
	0.XX	± 0.10																		
	0.XXX	± 0.020																		
angular	0°	$\pm 1^\circ$																		
ASME Y14.5	www.fci.com	cat. no.	-	Product - Customer Drw	sheet 2 of 5															

Copyright FCI.

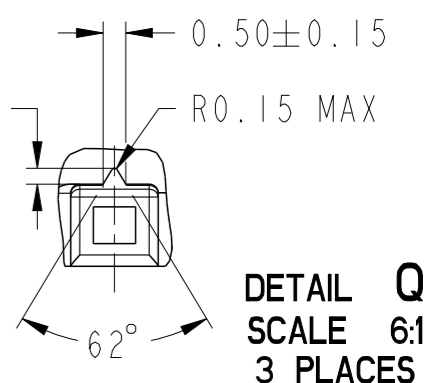
PRODUCT NUMBER
SEE TABLE



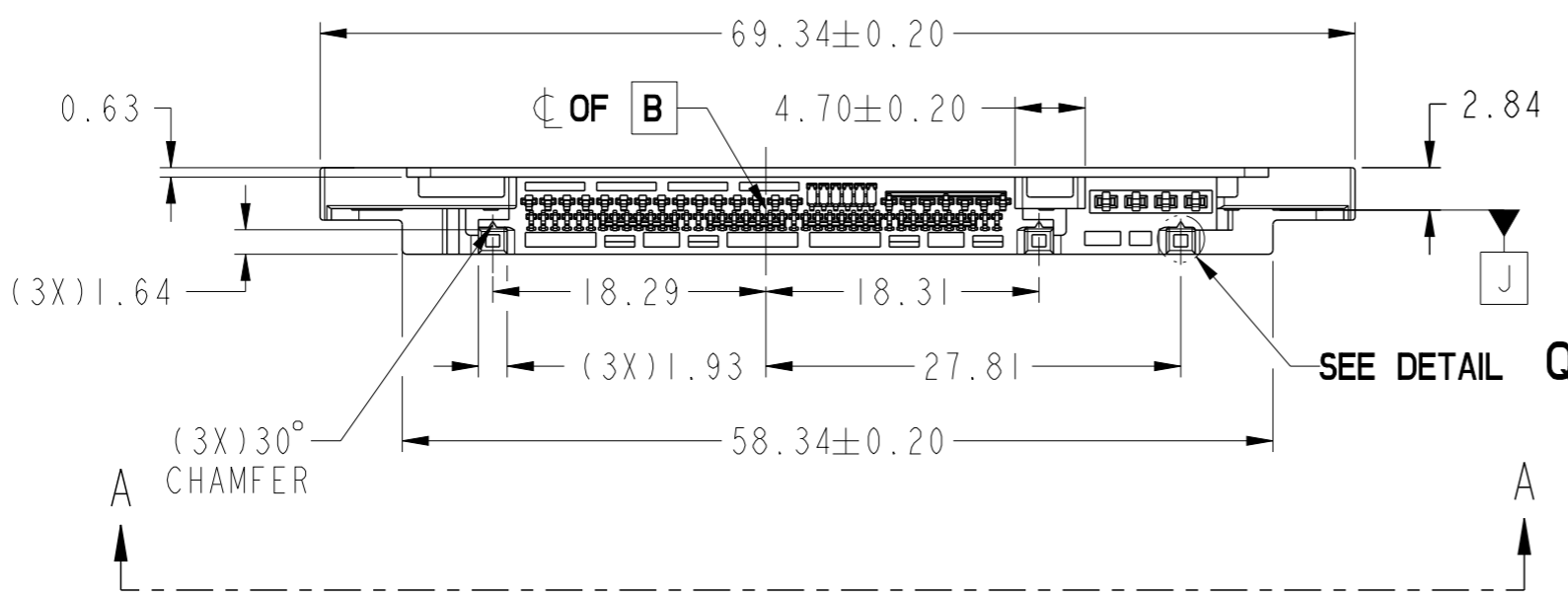
SECTION Z-Z
SCALE 6:1



SECTION Y-Y
SCALE 6:1
2 PLACES



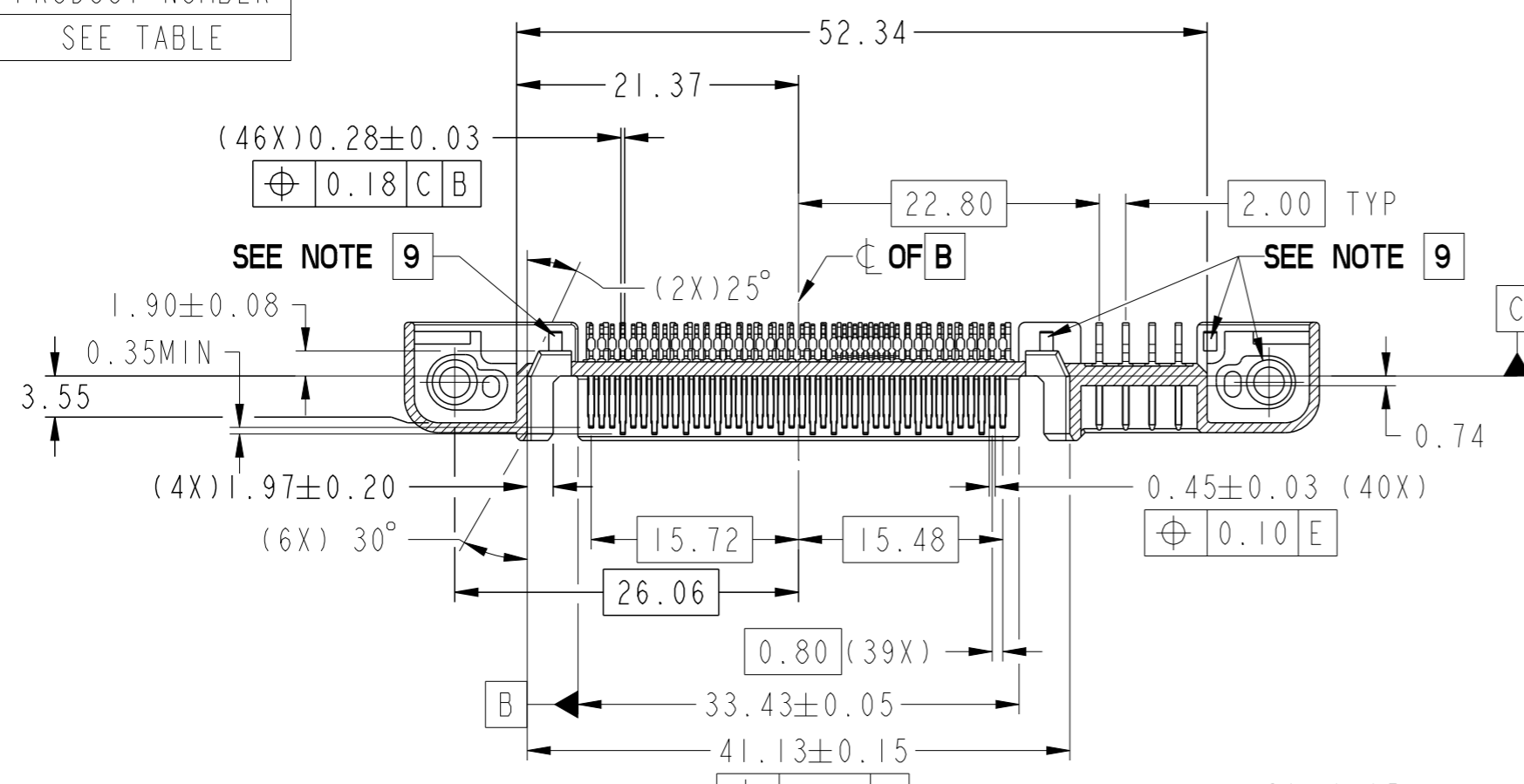
DETAIL Q
SCALE 6:1
3 PLACES



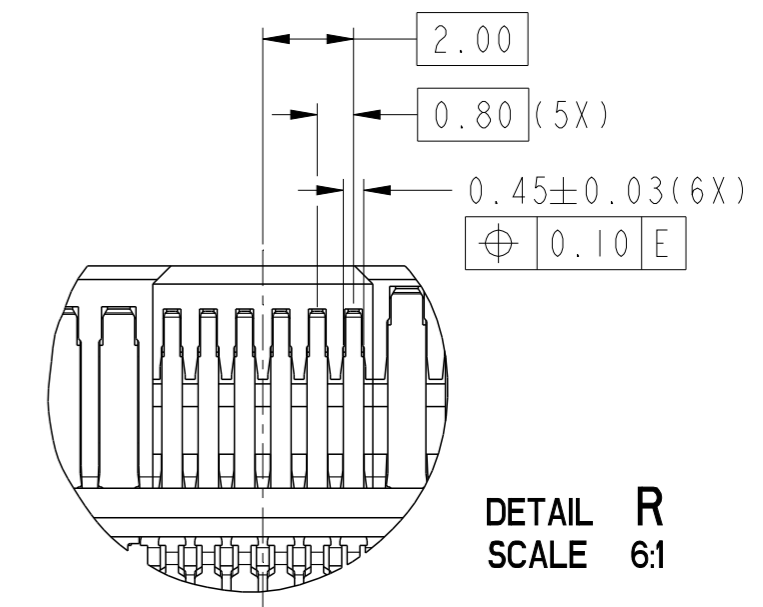
Copyright FCI.

spec ref	ASME Y14.5	dr	S Paulpandian	2014/11/10	projection	MM	size	A3	scale	2:1										
tolerance std	TOLERANCES UNLESS OTHERWISE SPECIFIED	eng	S Paulpandian	2015/03/19			ecn no	-	rel level	Released										
surface	<table border="1"> <tr> <td>linear</td> <td>0.X</td> <td>±0.3</td> </tr> <tr> <td></td> <td>0.XX</td> <td>±0.10</td> </tr> <tr> <td></td> <td>0.XXX</td> <td>±0.020</td> </tr> <tr> <td>ASME Y14.5</td> <td>angular</td> <td>0°</td> <td>±1°</td> </tr> </table>	linear	0.X	±0.3				0.XX	±0.10		0.XXX	±0.020	ASME Y14.5	angular	0°	±1°	chr	-	product family	PCIe
linear	0.X	±0.3																		
	0.XX	±0.10																		
	0.XXX	±0.020																		
ASME Y14.5	angular	0°	±1°																	
appr	Koon-Poh Tay	2015/03/19			SAS/PCIE PLUG CONNECTOR TYPE STR MOUNT		dwg no 10127091	rev A	Product - Customer Drw sheet 3 of 5											

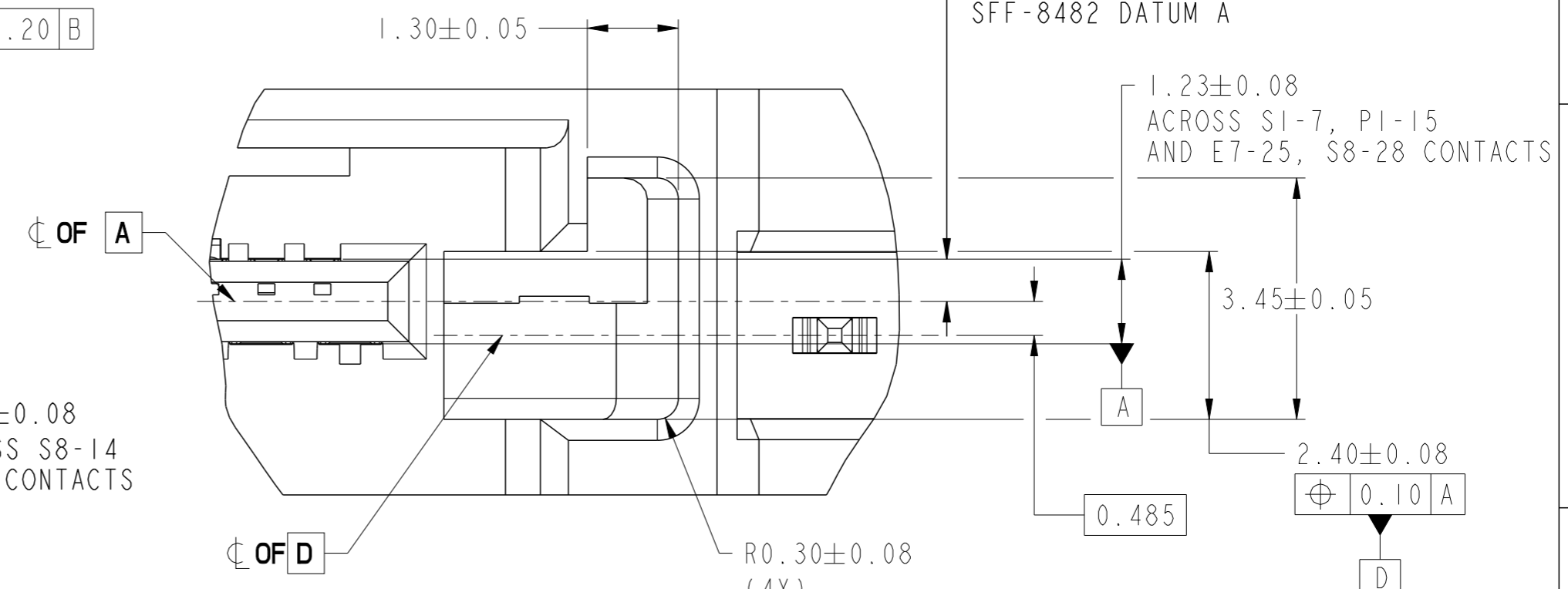
PRODUCT NUMBER
SEE TABLE



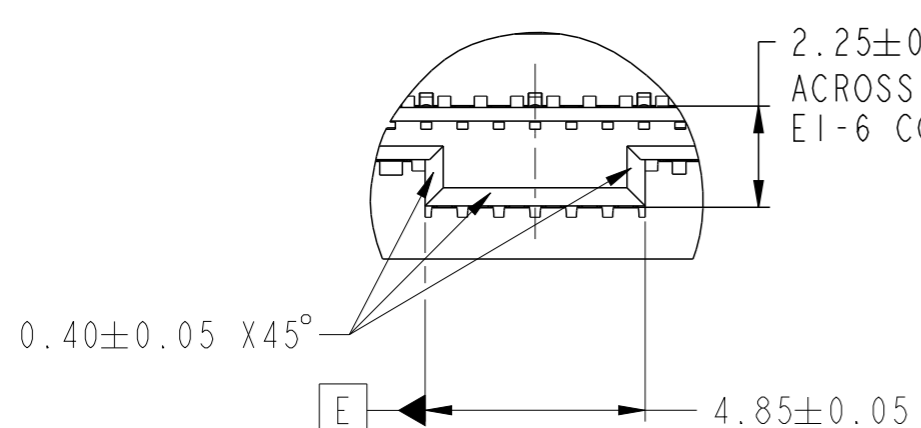
SECTION U-U
VIEW A-A



DETAIL R
SCALE 6:1



DETAIL T
SCALE 12:1



DETAIL S
SCALE 6:1

spec ref	ASME Y14.5	dr	S Paulpandian	2014/11/10	projection	MM	size	A3	scale	2:1
tolerance std	ASME Y14.5	eng	S Paulpandian	2015/03/19			ecn no	-	rel level	Released
TOLERANCES UNLESS OTHERWISE SPECIFIED		chr	-	-			product family	PCIe	rel level	Released
surface	linear	0.X	±0.3		SAS/PCIE PLUG CONNECTOR		dwg no 10127091	rev A		
		0.XX	±0.10		TYPE STR MOUNT					
		0.XXX	±0.020		-					
ASME Y14.5	angular	0°	±1°	www.fci.com	cat. no.	-	Product - Customer Drw	sheet 4 of 5		

A

B

C

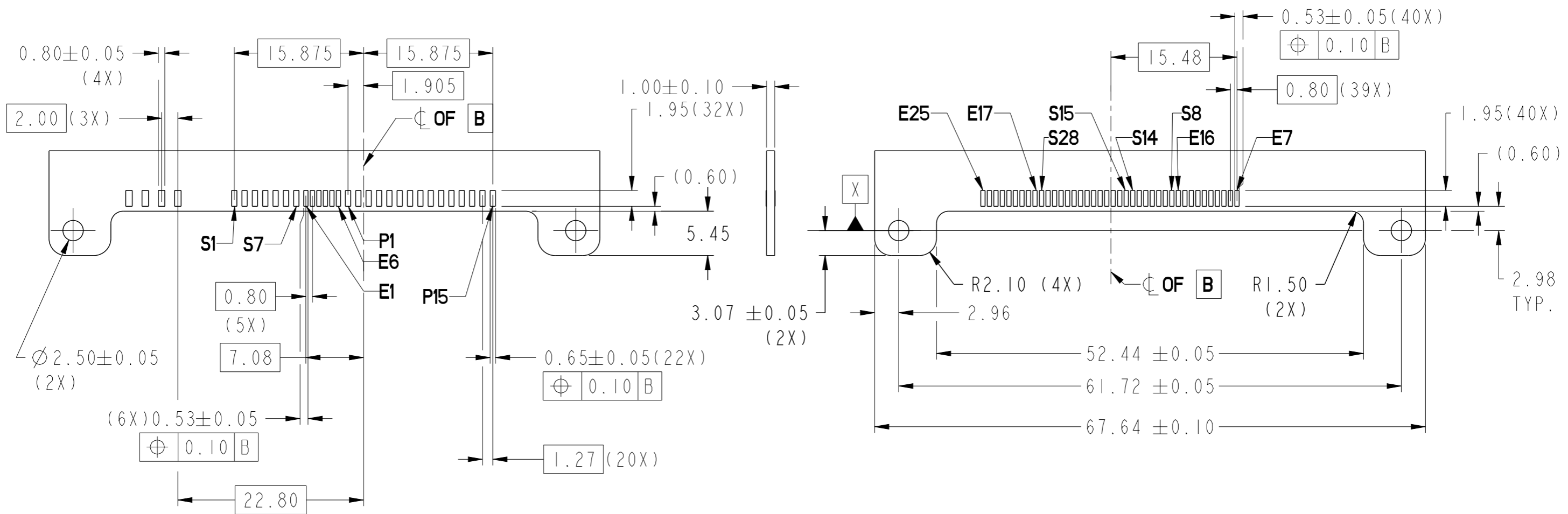
D

A

B

C

D



RECOMMENDED PCB LAYOUT
(GENERAL TOLERANCE: ±0.05)



Copyright FCI.

spec ref	ASME Y14.5			dr	S Paulpandian	2014/11/10	projection	MM	size	A3	scale	2:1	
tolerance std	TOLERANCES UNLESS OTHERWISE SPECIFIED			eng	S Paulpandian	2015/03/19			ecn no		-		
surface	✓	linear	0.X ±0.3	chr	-	-			product family		PCIe	rel level	
			0.XX ±0.10	appr	Koon-Poh Tay	2015/03/19	SAS/PCIE PLUG CONNECTOR			dwg no	10127091	rev	A
		angular	0° ±1°	www.fci.com			TYPE STR MOUNT			Product - Customer Drw			sheet 5 of 5