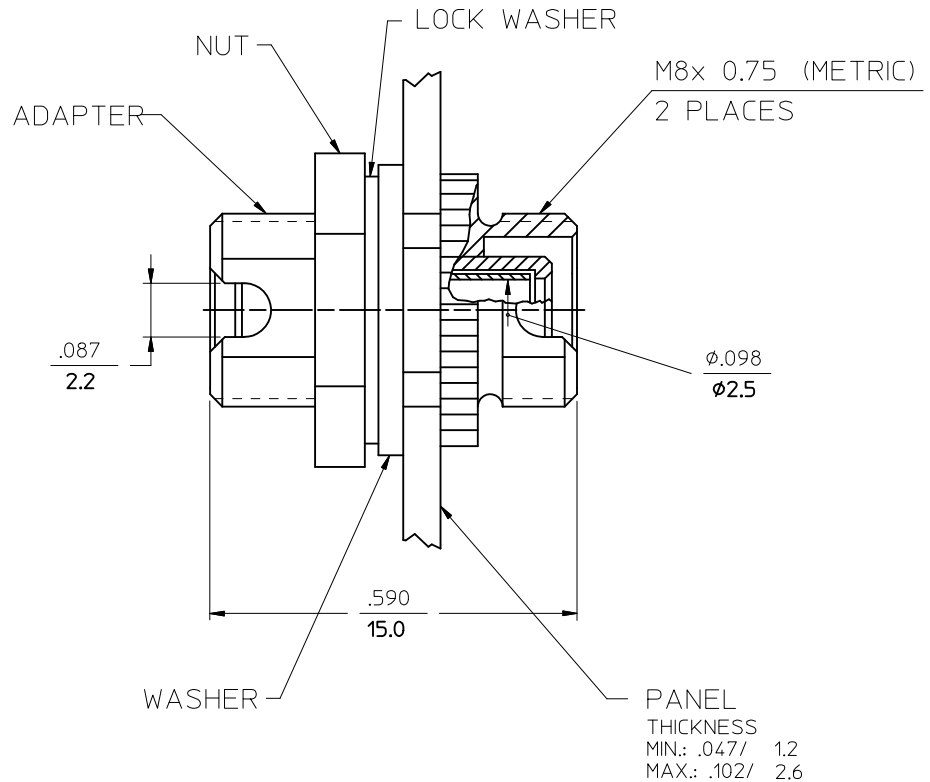
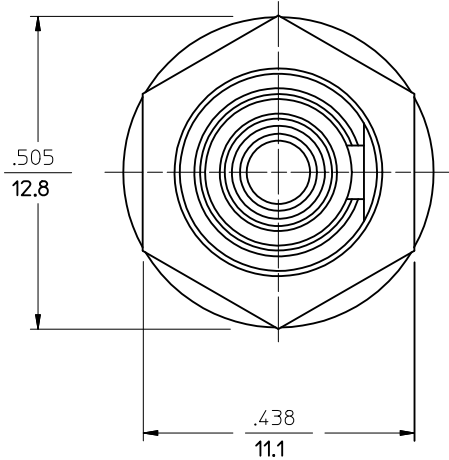
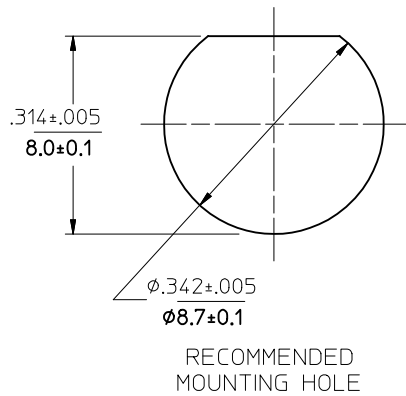


P/N OF ADAPTER	MATERIAL OF SLEEVE
106152-1000	CERAMIC
106156-1100*	
106156-1000	PHOSPHOR BRONZE



NOTES:

1. FOR THE USE OF WASHERS ACCORDING TO THE PANEL THICKNESS SEE FOLLOWING TABLE:

PANEL THICKNESS	USE WASHER
$\frac{.047}{1.2}$ TO $\frac{.060}{1.5}$	BOTH WASHERS
$\frac{.061}{1.55}$ TO $\frac{.085}{2.15}$	FLAT WASHER
$\frac{.086}{2.2}$ TO $\frac{.102}{2.6}$	LOCK WASHER

2. DUST CAPS ARE NOT SHOWN, BUT INCLUDED.

*3. P/N 106152-1100 IS BULK PACKED IN QUANTITIES OF 100 PCS.

ENTER DESCRIPTION EC NO: MF2006-0424 DRAWN: RPACIFICI 2006/01/24 CHKD: 2006/01/24 APPR: LGUMIN 2006/01/24	QUALITY SYMBOLS 	GENERAL TOLERANCES (UNLESS SPECIFIED)	DIMENSION STYLE IN/MM	SCALE 5:1	DESIGN UNITS INCH	THIRD ANGLE PROJECTION															
		<table border="1"> <thead> <tr> <th></th> <th>mm</th> <th>INCH</th> </tr> </thead> <tbody> <tr> <td>4 PLACES</td> <td>± .005</td> <td>± .0005</td> </tr> <tr> <td>3 PLACES</td> <td>± .004</td> <td>± .0004</td> </tr> <tr> <td>2 PLACES</td> <td>± .003</td> <td>± .0003</td> </tr> <tr> <td>1 PLACE</td> <td>± .002</td> <td>± .0002</td> </tr> </tbody> </table>		mm	INCH	4 PLACES	± .005	± .0005	3 PLACES	± .004	± .0004	2 PLACES	± .003	± .0003	1 PLACE	± .002	± .0002	DRAWN BY: RPACIFICI DATE: 2005/12/22 CHECKED BY: DATE:	TITLE FC ADAPTER (D-HOLE)		
		mm	INCH																		
	4 PLACES	± .005	± .0005																		
3 PLACES	± .004	± .0004																			
2 PLACES	± .003	± .0003																			
1 PLACE	± .002	± .0002																			
	ANGULAR ±1/2°	APPROVED BY: DATE:	MOLEX INCORPORATED																		
DRAFT WHERE APPLICABLE MUST REMAIN WITHIN DIMENSIONS	MATERIAL NO. SEE TABLE SIZE B	DOCUMENT NO. SD-10615X-1000	SHEET NO. 1 OF 01																		

THIS DRAWING CONTAINS INFORMATION THAT IS PROPRIETARY TO MOLEX INCORPORATED AND SHOULD NOT BE USED WITHOUT WRITTEN PERMISSION