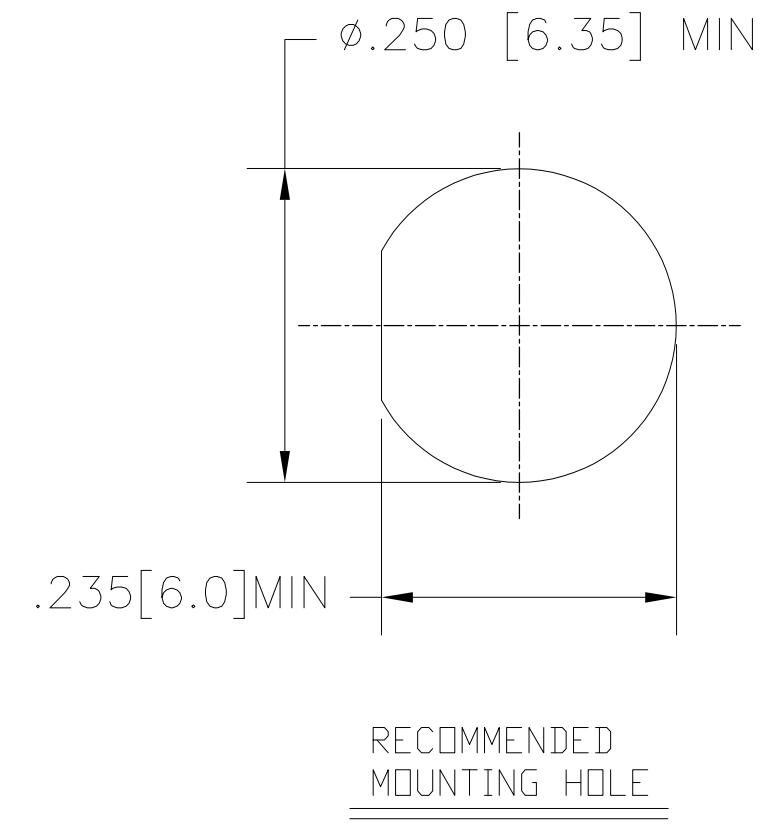
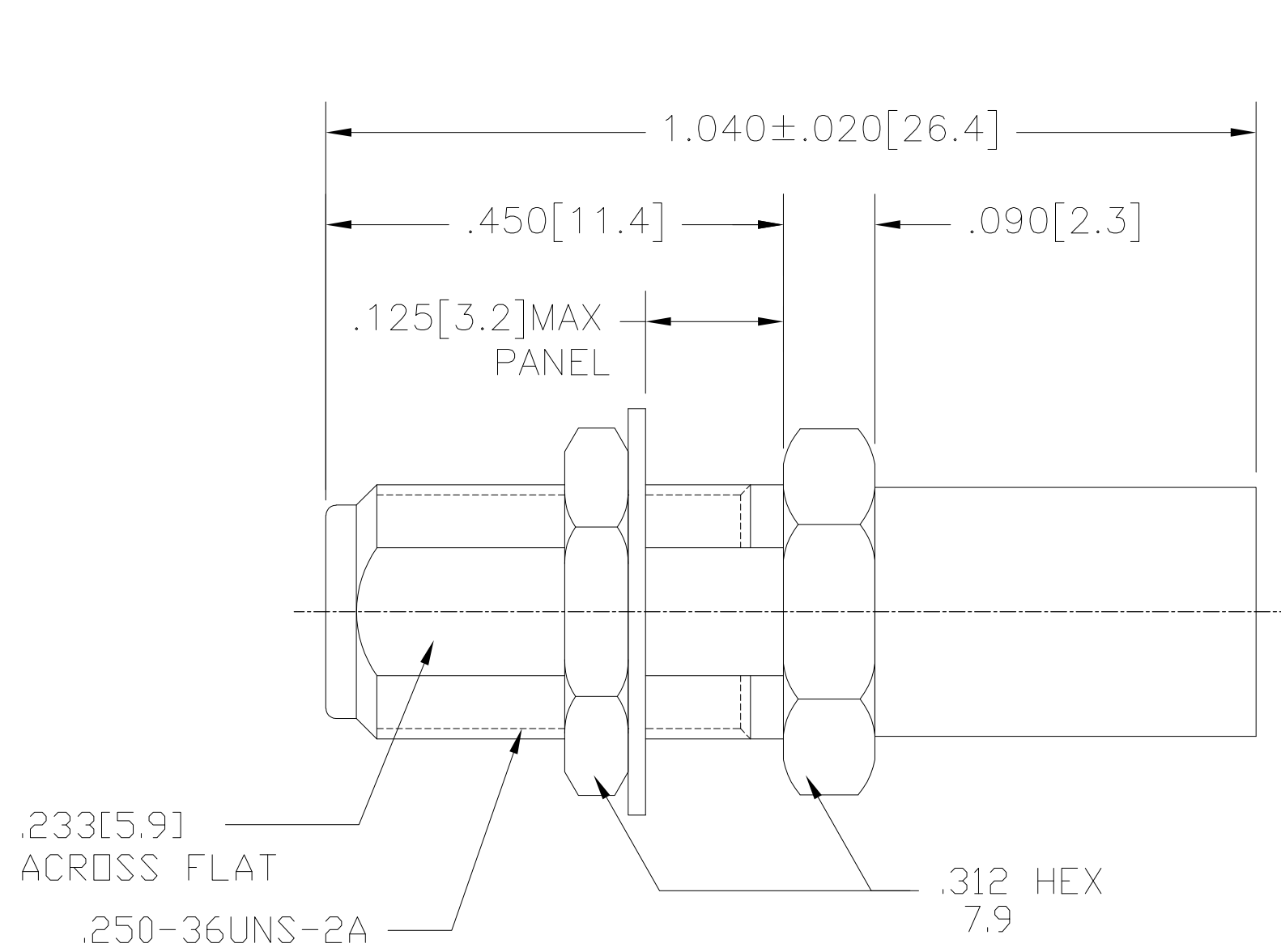


THIS DRAWING IS UNPUBLISHED. RELEASED FOR PUBLICATION
 © COPYRIGHT BY TYCO ELECTRONICS CORPORATION. ALL RIGHTS RESERVED.

LOC		DIST		REVISIONS					
AJ		00		P	LTR	DESCRIPTION	DATE	DWN	APVD
				C		REV PER ECO-10-001333	27JAN2010	AM	BOB



NOTES:
 1. DESIGNED FOR USE WITH RG-58/U, RG-141/U, RG-303/U OR OTHER CABLES HAVING SIMILAR COMPONENT DIAMETERS

- ① BRASS
- ② STAINLESS STEEL
- ③ BERYLLIUM COPPER
- ④ PHOSPHOR BRONZE
- ⑤ PTFE
- ⑥ GOLD PLATE
- ⑦ NICKEL PLATE
- ⑧ PASSIVATE

ELECTRICAL	MECHANICAL	ENVIRONMENTAL
Nominal Impedance (Ohms) <u>50</u>	Interface Dimensions MIL-STD-348A, Fig. 310.1	TEMPERATURE RATING -40° TO +95° DURABILITY: 500 CYCLES
Frequency Range (GHz) DC to 12.4	Recommended Mating Torque <u>7-10 In-Lbs</u>	
Volt Rating (VRMS MAX) @ Sea Level <u>250</u>	Mating Characteristics:	$\frac{.XXX}{XX.X} = \frac{\text{in}}{\text{mm}}$
VSWR <u>1.18 + .02f(GHz)</u>	Insertion (MAX Lbs) N/A	
Insertion Loss (dB MAX) <u>.07 √f GHz</u>	Withdrawal (MIN Oz) N/A	
Dielectric Withstanding Voltage (VRMS MIN) @ Sea Level <u>750</u>	Force to Engage and Disengage (In-Lbs MAX) <u>2</u>	
Contact Resistance (Milliohms MAX) Center Contact <u>5.0</u> Outer Contact <u>3.0</u> Cable to Housing <u>0.5</u>	Center Contact Captivation Axial (Lbs) <u>6 Min</u> Radial (In-Oz) N/A	
RF High Potential @ Sea Level (VRMS MIN @ 5 MHz) <u>500</u>	Cable Retention Axial Force (Lbs) <u>20 MIN</u> Torque (In-Oz) N/A	
I.R. (Megohms MIN) <u>5,000</u>	Weight (Grams) TBD	

① ⑦	① ⑦	⑤	③ ⑥	① ⑦	④ ⑦	1056450-3
② ⑧	② ⑧	⑤	③ ⑥	① ⑦	② ⑧	1056450-1
HOUSING	MOUNTING NUT	DIELECTRIC	CENTER CONTACT	FERRULE	LOCK WASHER	TE PN.

THIS DRAWING IS A CONTROLLED DOCUMENT.

DWN ANSON MA 6Jul09	Tyco Electronics Corporation Kunshan, Jiangsu, RPC 215312
CHK RITA ZUO 6Jul09	
APVD BOB_ZHAO 6Jul09	
NAME	
PRODUCT SPEC 108-112002	OSM STRAIGHT CABLE(RG-58/U) JACK CLAMP ATTACHMENT
APPLICATION SPEC 408-4661	SIZE CAGE CODE DRAWING NO RESTRICTED TO
WEIGHT -	A2 00779 C=1056450 -
CUSTOMER DRAWING	SCALE 5:1 SHEET 1 of 1 REV C