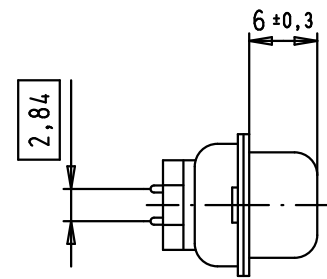
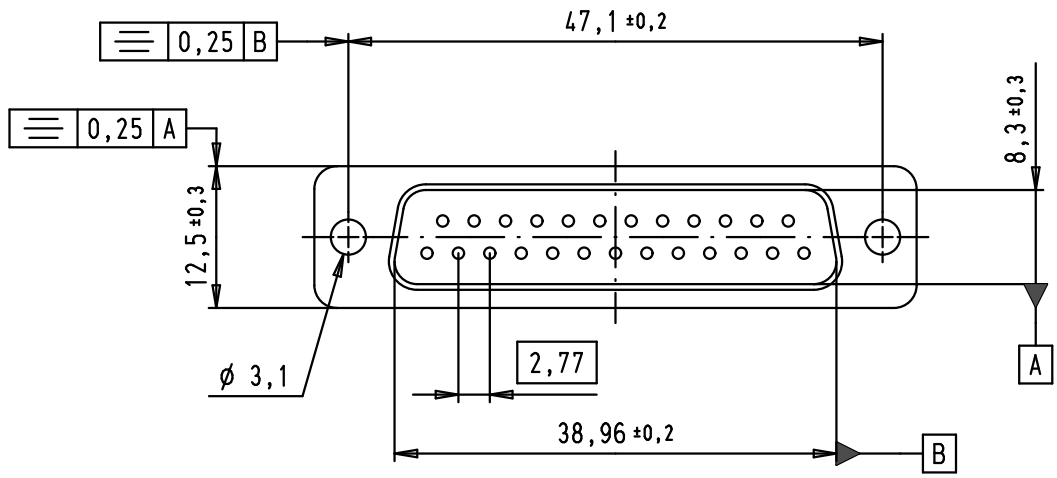


D

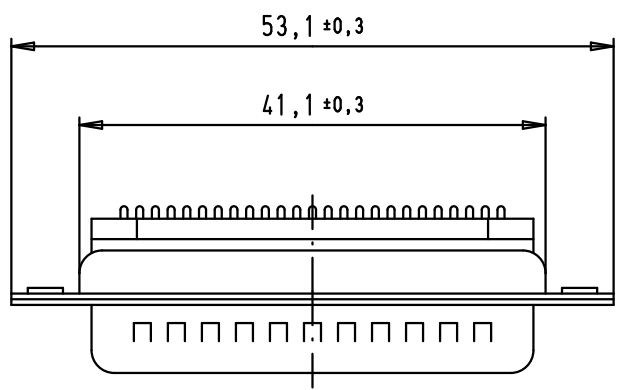


C

SPECIFICATIONS

FREQUENCY (MHz)	ATTENUATION (dB)
5	0,5
10	1
50	2,5
100	3
500	3,5
1000	4

B



Operating voltage < 250 V AC
 Working current < 7,5 A
 Insulation resistance > 1GΩ
 Contact resistance < 15 mΩ
 Dielectric withstanding voltage 500 V AC / minute

Solder bucket termination inner diameter: 1,20 mm

A

			Dot.	Name	<p>All Dim. in mm Orig. Size DIN A 4</p>
			Detail.	11/06/09 PK	
			Insp.		
			Stand.		
36160	22/09/10	SC	HARTING EURL F-95972 Paris		
EC00332	11/06/09	PK			
Mod.	Dot.	Name			

D-Sub, male, straight, 25 poles, tin plated shell with dimples, solder buckets, ferrite filter	Maßstab/ Scale 1,5:1
	Blatt/ Page 1 / 1
TB 09 64 321 7800 Sub.	

09 64 321 7800	PL3
Part number	Performance level