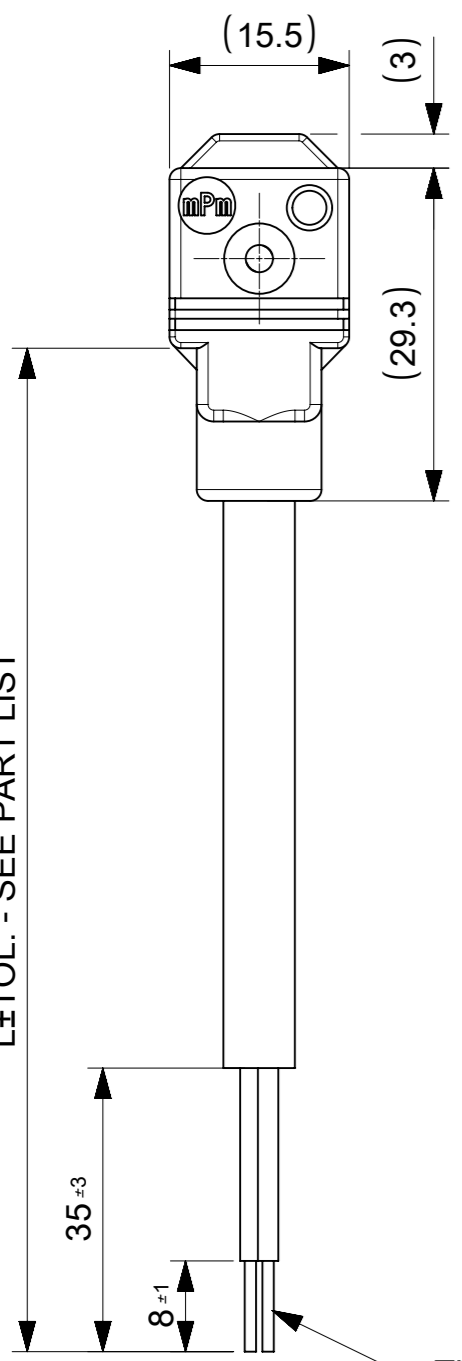
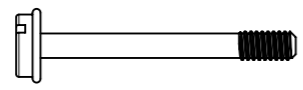


L±TOL. - SEE PART LIST

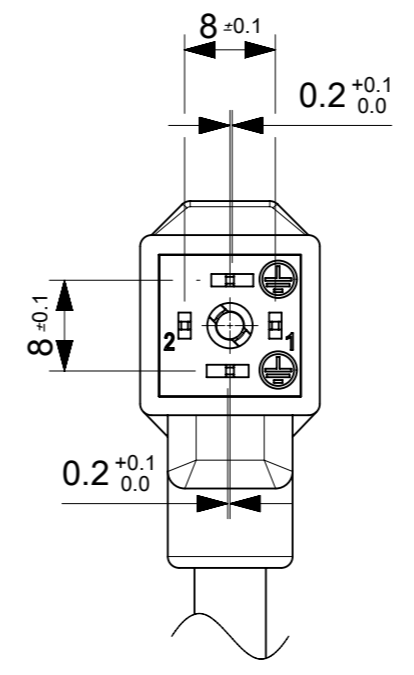
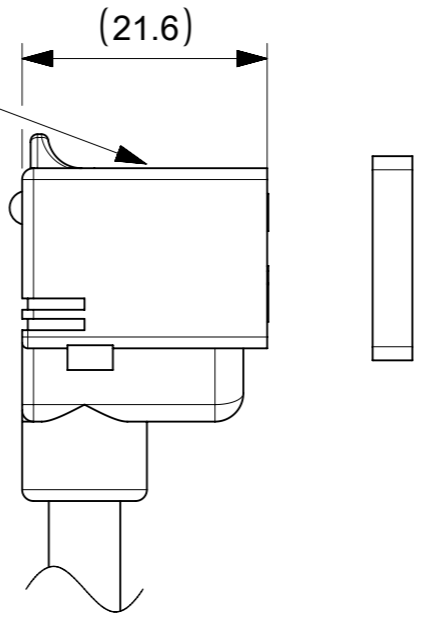


Tinned ends

WHITE TAMPO PRINTOUT



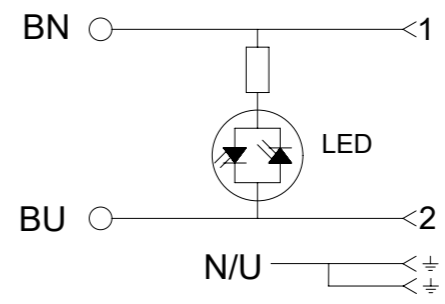
Type of Screw and Gasket see sheet 2, PN KEY



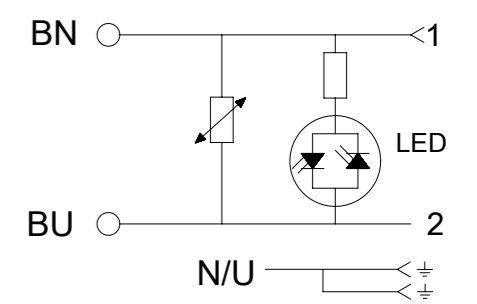
TABLICA TOLERANCJI DŁUGOŚCI  
TABLE OF LENGHT TOLERANCES

POWYŻEJ OVER	DO-WŁĄCZNIE UP TO AND INCLUDING	TOLREANCJA TOLERANCE
0	1000	±20
1000	3000	±30
3000	5000	±40
5000	10000	±50
10000	15000	±100
15000	20000	±150
20000		±L/100

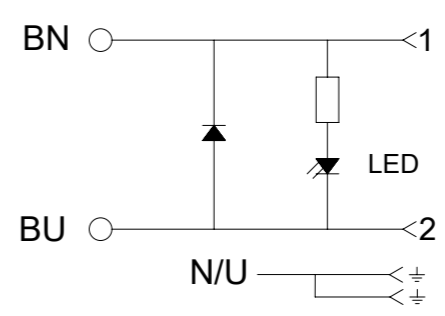
ELECTRICAL DIAGRAM A1



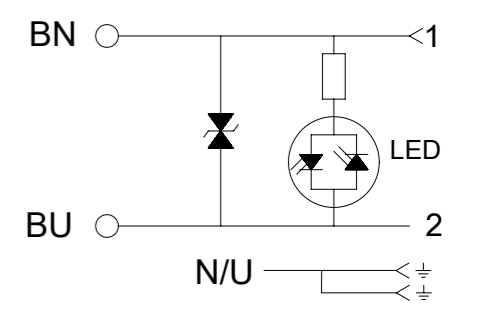
ELECTRICAL DIAGRAM C4



ELECTRICAL DIAGRAM C3

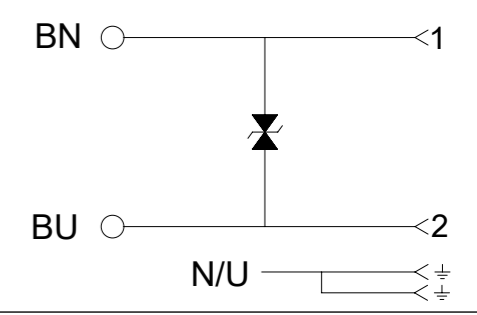


ELECTRICAL DIAGRAM S0

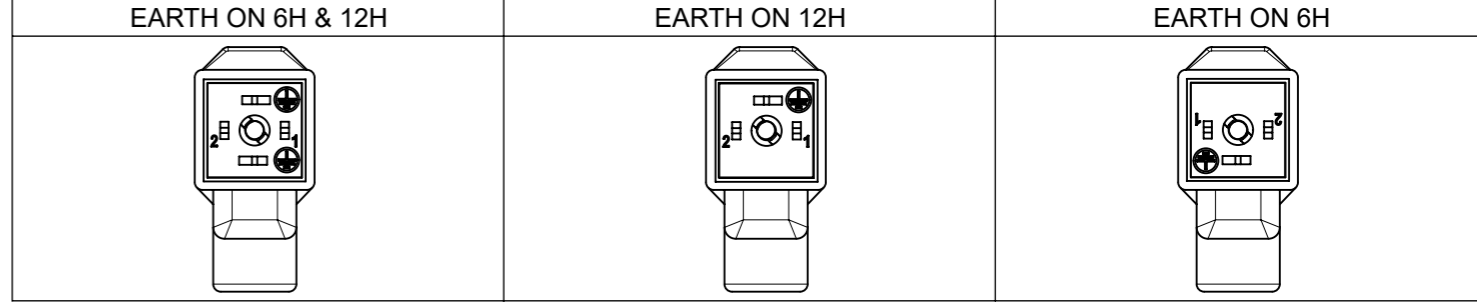


ATTENTION! IN CASE OF 1210180081 CABLE USE BLACK 1 INSTEAD OF BROWN, BLACK 2 INSTEAD OF BLUE

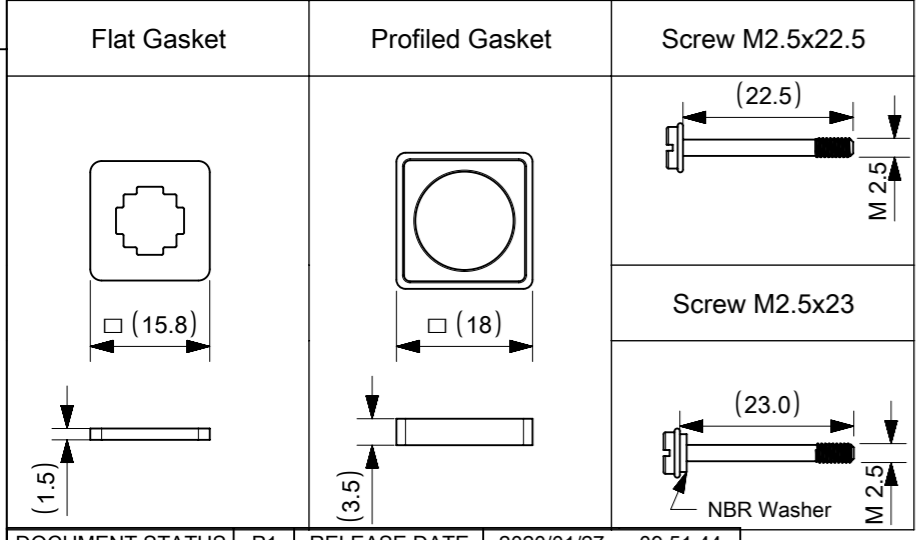
ELECTRICAL DIAGRAM S1



INSERT ORIENTATION



Type of Screw and Gaskets



SYMBOLS	THIS DRAWING CONTAINS INFORMATION THAT IS PROPRIETARY TO MOLEX ELECTRONIC TECHNOLOGIES, LLC AND SHOULD NOT BE USED WITHOUT WRITTEN PERMISSION		CURRENT REV DESC:		<b>molex</b>			
	DIMENSION UNITS	SCALE						STANDARD E491 DIN FORM C
▽ = 0	mm	3:2	EC NO: 631158			DOCUMENT NUMBER		
▽ = 0	GENERAL TOLERANCES (UNLESS SPECIFIED)		DRWN: APAWLAK01 2020/01/23			1210501734		
▽ = 0	ANGULAR TOL ± °		CHK'D: RSILLER 2020/01/27			DOC TYPE DOC PART REVISION		
▽ = 0	4 PLACES ±		APPR: RSILLER 2020/01/27			PSD 000 A		
▽ = 0	3 PLACES ±		INITIAL REVISION:			MATERIAL NUMBER		
▽ = 0	2 PLACES ±		DRWN: APAWLAK01 2020/01/23			CUSTOMER		
▽ = 0	1 PLACE ±		APPR: RSILLER 2020/01/27			GENERAL MARKET		
▽ = 0	0 PLACES ±		DRAFT WHERE APPLICABLE MUST REMAIN WITHIN DIMENSIONS			SHEET NUMBER		
▽ = 0	THIRD ANGLE PROJECTION		DRAWING			1 OF 2		
▽ = 0	A3-SIZE		SERIES					
		121050						

# PN KEY ENGINEERING PN

**E 4 9 1 X X X X X X X X X X X X**

E - Packing without bag  
W - Single Packing

Number of wires:  
1 - 2 Wires

Cable type:  
See Table

Head Colour:  
G - Grey  
N - Black  
A - CSA-UL Black  
B - CSA-UL Grey

Cable Length in[cm]  
050 = 50cm  
300 = 300cm  
10K = 1000cm

Wiring Configuration:  
See sheet 3

Voltage and Led Colour

Red Led

1 = 12V  
2 = 24V  
3 = 48V  
4 = 115V  
5 = 230V

Green Led

A = 12V  
B = 24V  
C = 48V  
D = 115V  
E = 230V

Yellow Led

G = 12V  
H = 24V  
K = 48V  
L = 115V  
M = 230V

Earth PIN location (see insert orientation table):  
1 = Double Earth on H6 & H12  
2 = Earth on H12  
6 = Earth on H6

Type of Gasket and Screw (see sheet 1):

- 1 = NBR Profile Gasket + Fixing Screw M2.5x22.5mm
- 2 = NBR Flat Gasket + Fixing Screw M2.5x22.5mm
- 3 = Silicone Profile Gasket + Fixing Screw M2.5x22.5mm
- 4 = Silicone Flat Gasket + Fixing Screw M2.5x22.5mm
- T = NBR Profile Gasket + Fixing Screw + Washer M2.5x23mm

TABLE 1

CABLE TYPE	MOLEX PN	NO. OF WIRES	CROSS SECTION	CABLE O.D.	CABLE JACKET	WIRES COLOR	SHIELD
A2	1210180467	2	AWG 20	5.4mm±0.2	PVC BLACK	BN, BU	-
I2	1210180047	2	0.5mm <sup>2</sup>	5.5mm+0.3	PVC GREY	BN, BU	-
N2	1210180022	2	0.5mm <sup>2</sup>	5.6mm±0.7	PVC BLACK	BN, BU	-
P3	1202094190	2	0.75mm <sup>2</sup>	6.5mm±0.2	PUR BLACK	BN, BU	-

## PART LIST

MOLEX PN	ENGINEERING PN	LENGTH
1210501416	E491I2N50012C4H	5000
1210501734	E491N2N10011C4H	1000
1210503290	E491N2N30011C4H	3000
1210503291	E491N2N20011C4H	2000

Technical Spec:  
Supply Voltage: See PN KEY  
Max. current: 3A; A1-C4  
Operating Temperature:  
with NBR Gasket: -40°C +90°C  
with Silicone: -40°C +125°C

SYMBOLS	THIS DRAWING CONTAINS INFORMATION THAT IS PROPRIETARY TO MOLEX ELECTRONIC TECHNOLOGIES, LLC AND SHOULD NOT BE USED WITHOUT WRITTEN PERMISSION	
DIMENSION UNITS	SCALE	CURRENT REV DESC:
▽ = 0	mm	1:1
▽ = 0	GENERAL TOLERANCES (UNLESS SPECIFIED)	
▽ = 0	ANGULAR TOL ±	°
▽ = 0	4 PLACES ±	
▽ = 0	3 PLACES ±	
▽ = 0	2 PLACES ±	
▽ = 0	1 PLACE ±	
▽ = 0	0 PLACES ±	
■ = 0	DRAFT WHERE APPLICABLE MUST REMAIN WITHIN DIMENSIONS	
▽ = 0	THIRD ANGLE PROJECTION	DRAWING
	A3-SIZE	SERIES
	121050	MATERIAL NUMBER
	SEE PART LIST	CUSTOMER
	GENERAL MARKET	SHEET NUMBER
	2 OF 2	

**molex**

STANDARD E491 DIN FORM C

PRODUCT CUSTOMER DRAWING

DOCUMENT NUMBER	DOC TYPE	DOC PART	REVISION
1210501734	PSD	000	A