



30mm BlackMax, Epoxy Coated Corrosion Resistant Complete Metal Unit Illuminated Indicator Light Transformer type, 600V AC Incandescent Lamp, BA9s Glass Lens, Clear UL Listed, CSA Certified NEMA 1,3,3R,4,4X,12,13 & Automotive Standards

|   |   |
|---|---|
| product brand name  | Siemens Pilot Devices   |
| design of the product                                     | Complete Unit, Round  |
| <b>Enclosure</b>  |   |
| number of command points                                  | 1   |
| delivery state as a kit                                   | No  |
| <b>Actuator</b>   |   |
| design of the actuating element                           | Indicator Light   |
| product extension optional light source                   | Yes   |
| color of the actuating element                            | clear   |
| material of the actuating element                         | glass   |
| shape of the actuating element                            | Concentric rings  |
| <b>Front ring</b>   |   |
| product component front ring                              | Yes   |
| design of the front ring                                  | standard  |
| material of the front ring                                | metal   |
| color of the front ring                                   | black   |
| <b>Holder</b>   |   |
| material of the holder                                    | metal   |
| <b>Contact block/ lampholder</b>                          |   |
| socket design   | BA 9s, with incandescent lamp                                     |
| number of lampholders                                     | 1   |
| <b>Display</b>  |   |
| number of LED modules                                     | 0   |
| <b>General technical data</b>                             |   |
| product component   |   |
| • lamp transformer  | Yes   |
| • light source  | Yes   |
| degree of pollution                                       | 1   |
| type of voltage   |   |
| • of the operating voltage                                | AC  |
| • of the input voltage                                    | AC  |
| surge voltage resistance rated value                      | 4 kV  |
| protection class IP                                       | IP66  |
| • of the terminal   | IP20  |
| vibration resistance according to IEC 60068-2-6           | 0 ... 2000 Hz, 1.52 mm displacement (peak-to-peak) max./ 10g max. |
| mechanical service life (operating cycles) typical        | 5   |
| <b>Supply voltage</b>                                     |   |
| type of voltage of the supply voltage of the light source | AC  |
| supply voltage of the light source at AC at 60 Hz         |   |
| • rated value   | 6 V   |

| Inputs/ Outputs  |   |
|--|---|
| output voltage 1 of the lamp transformer rated value                               | 6 V   |
| Connections/ Terminals   |   |
| type of electrical connection  | screw-type terminals                                  |
| • of modules and accessories   | screw-type terminals                                  |
| type of connectable conductor cross-sections for AWG cables for auxiliary contacts | 1x (18 ... 12), 2x (18 ... 16), 2x (16 ... 14), 2x 12 |
| tightening torque of the screws in the bracket                                     | 20 N·m  |
| tightening torque [lbf·in] with screw-type terminals                               | 8 ... 8 lbf·in  |
| Lamp   |   |
| type of light source   | Incandescent  |
| color of the light source  | clear   |
| Safety related data  |   |
| touch protection against electrical shock  | finger safe   |
| Ambient conditions   |   |
| ambient temperature  |   |
| • during operation   | -35 ... +70 °C  |
| • during storage   | -40 ... +85 °C  |
| Installation/ mounting/ dimensions   |   |
| fastening method   |   |
| • of modules and accessories   | screw-mounting  |
| shape of the installation opening  | round   |
| Certificates/ approvals  |   |
| Further information  |   |

Siemens has decided to exit the Russian market (see here).

<https://press.siemens.com/global/en/pressrelease/siemens-wind-down-russian-business>

Siemens is working on the renewal of the current EAC certificates.

Please contact your local Siemens office on the status of validity of the EAC certification if you intend to import or offer to supply these products to an EAC relevant market (other than the sanctioned EAEU member states Russia or Belarus).

Information on the packaging

<https://support.industry.siemens.com/cs/ww/en/view/109813875>

Information- and Downloadcenter (Catalogs, Brochures,...)

<https://www.siemens.com/ic10>

Industry Mall (Online ordering system)

<https://mall.industry.siemens.com/mall/en/en/Catalog/product?mlfb=US2:52BL5KA>

Cax online generator

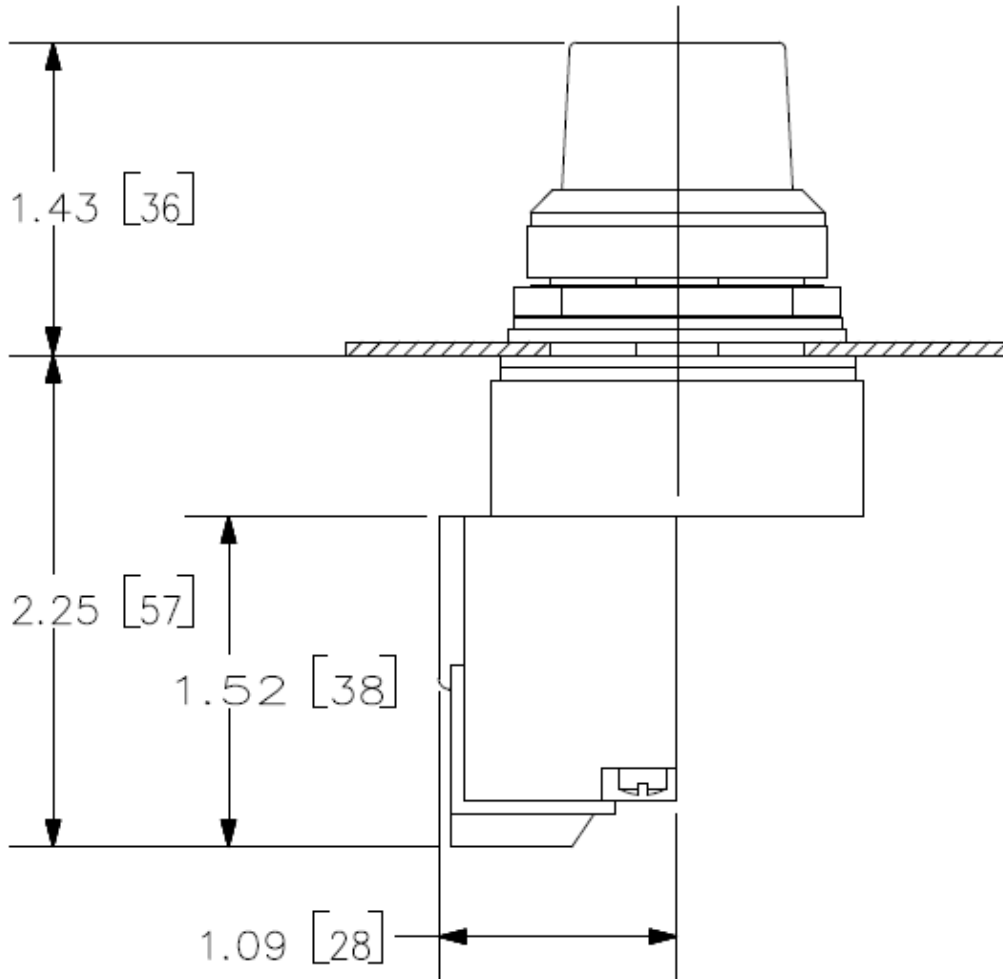
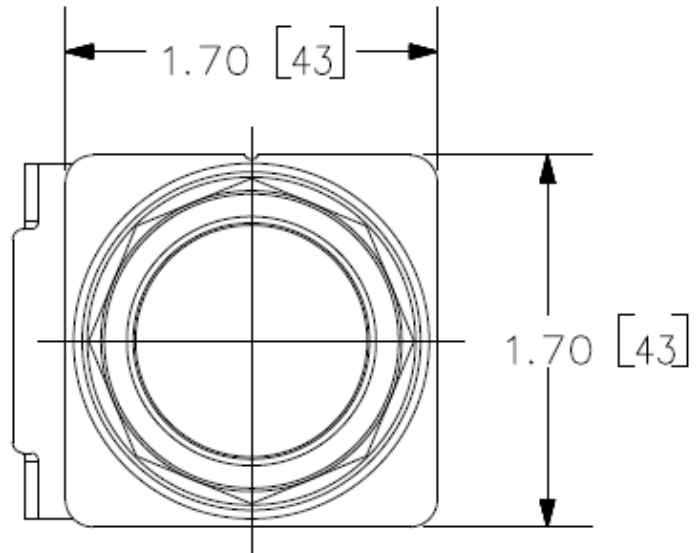
<http://support.automation.siemens.com/WW/CAXorder/default.aspx?lang=en&mlfb=US2:52BL5KA>

Service&Support (Manuals, Certificates, Characteristics, FAQs,...)

<https://support.industry.siemens.com/cs/ww/en/ps/US2:52BL5KA>

Image database (product images, 2D dimension drawings, 3D models, device circuit diagrams, EPLAN macros, ...)

[http://www.automation.siemens.com/bilddb/cax\\_de.aspx?mlfb=US2:52BL5KA&lang=en](http://www.automation.siemens.com/bilddb/cax_de.aspx?mlfb=US2:52BL5KA&lang=en)



last modified:

5/31/2021 