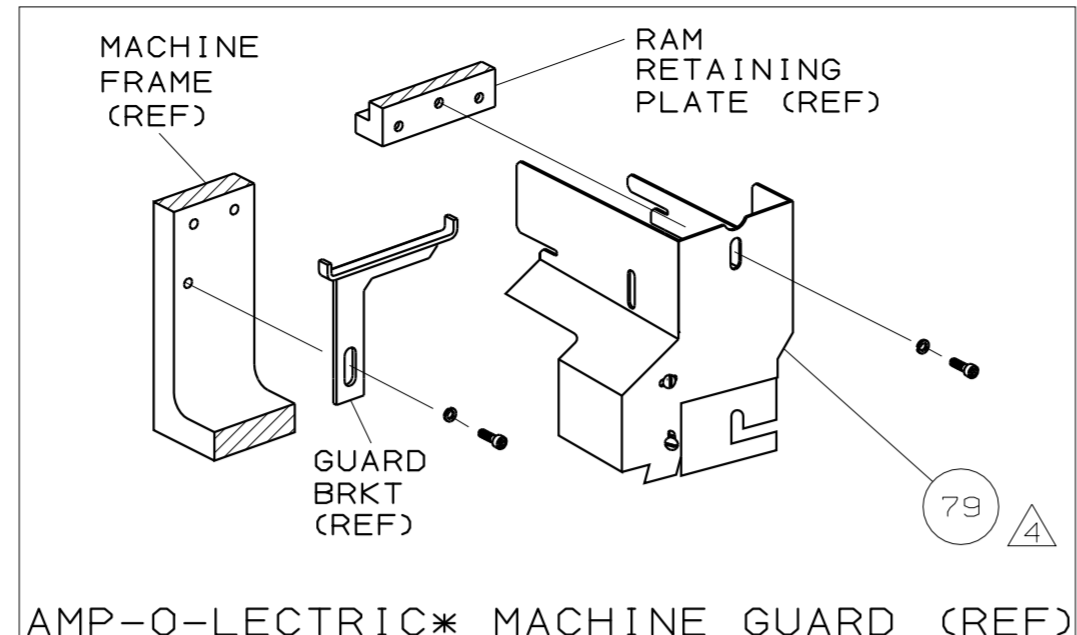
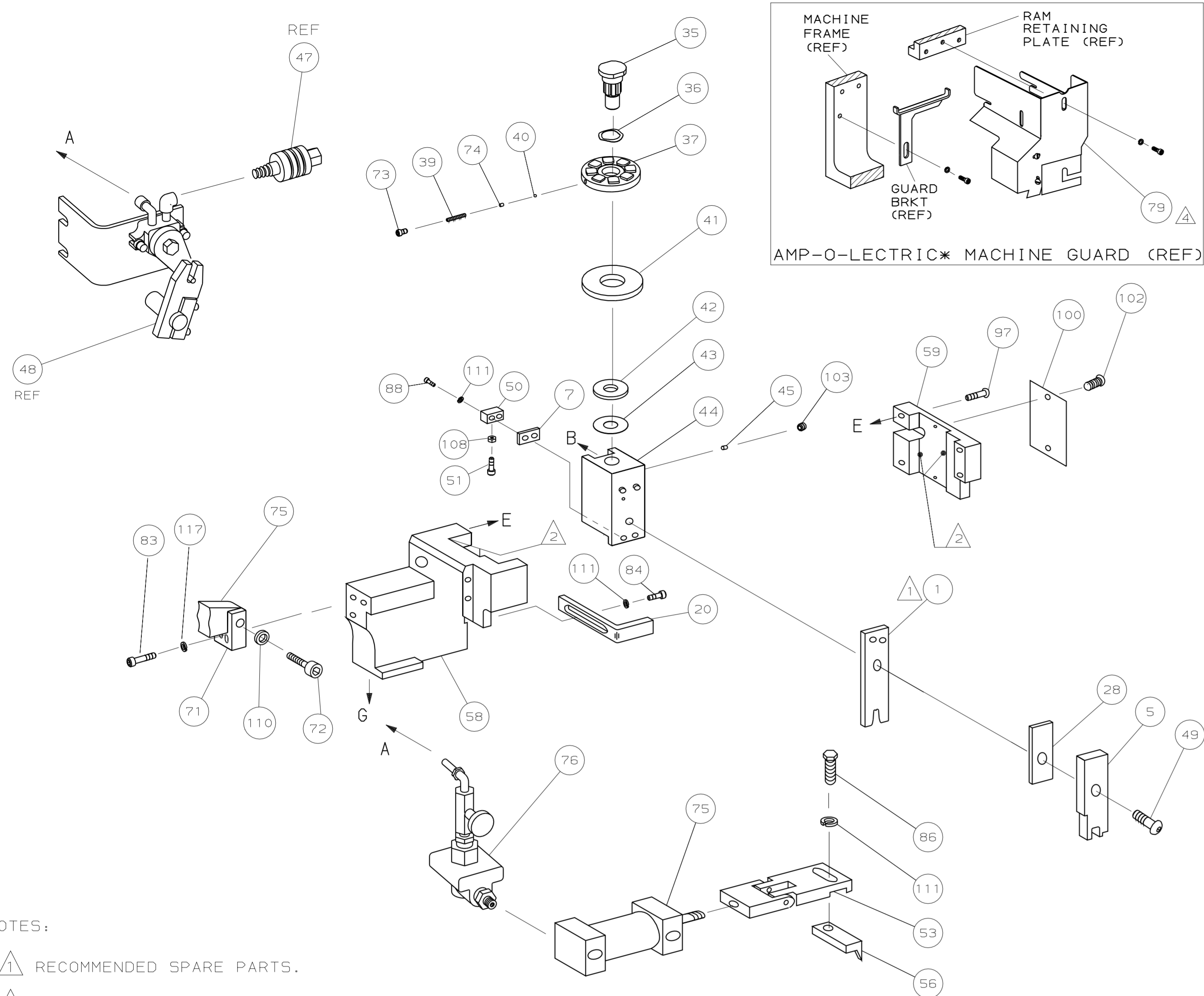
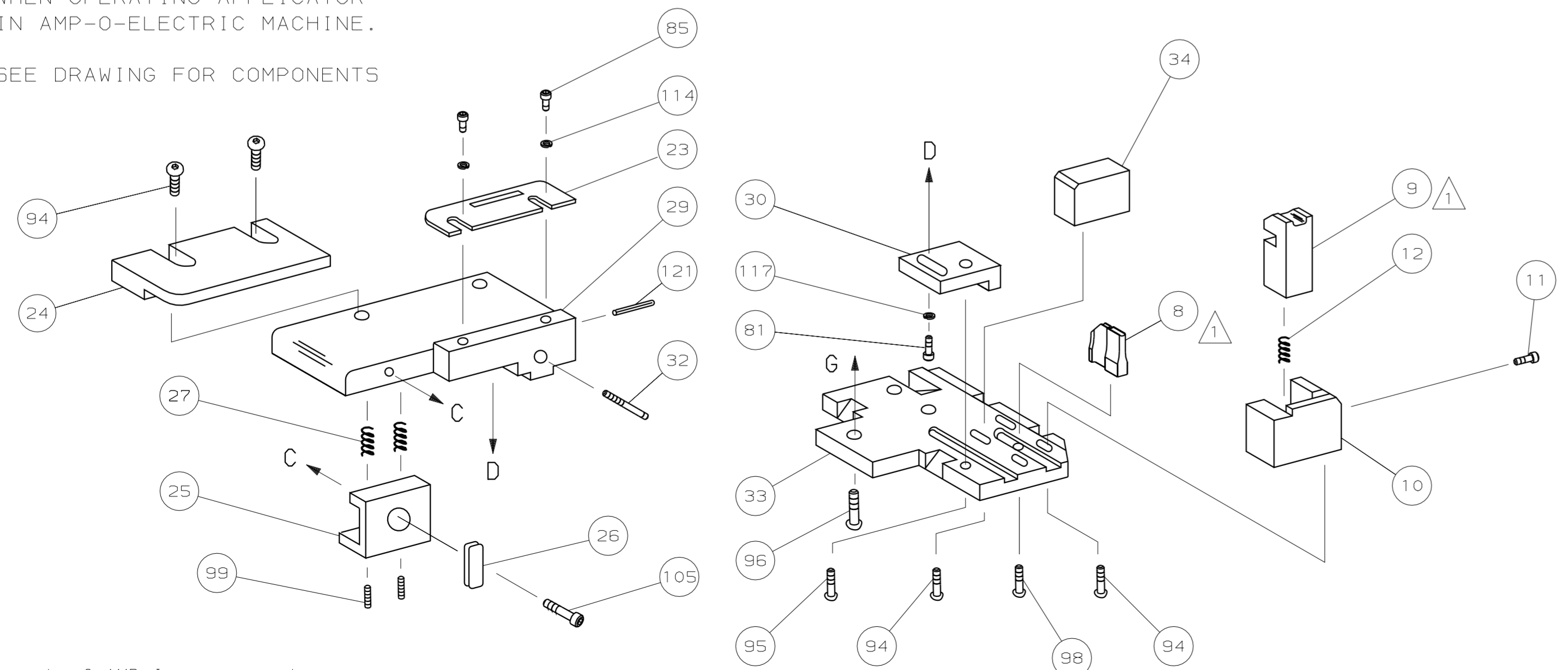


THIS DRAWING IS A CONTROLLED DOCUMENT.



- NOTES:
- ① RECOMMENDED SPARE PARTS.
 - ② GREASE LIGHTLY.
 - ③ LUBRICATE DAILY USING NO. 20 MACHINE OIL.
 - ④ GUARD MUST BE IN PLACE WHEN OPERATING APPLICATOR IN AMP-O-ELECTRIC MACHINE.
 - ⑤ SEE DRAWING FOR COMPONENTS



1	4-21028-0	PIN,SLT SPR(.093øx.75)ST GUIDE PL	121	1	458537-2	PAWL, FEED	56
3	21024-5	WASHER, LOCK (NO.10) ADJ BLOCK	117	1	461062-2	FEED FINGER ASSY	53
2	21024-2	WASHER, LOCK (NO.4) FRONT STRIP GUIDE	114	1	7-21002-9	BOLT, CRIMPER (5/16-24x1.00)	48
4	21024-4	WASHER, LOCK (NO.8) STRIPPER	111	REF	24042-2	VALVE, SHUT OFF	47
1	21024-8	WASHER, LOCK (3/8) FEED ASSY	110	1	692655-6	AIR FEED VALVE ASSY	46
1	21018-5	NUT, HEX (6-32)	109	1	690191-1	PLUG, NYLON	45
1	22353-8	SCR, SHLD (.187øx.25) DRAG LEVER	105	1	455673-1	RAM	44
1	21009-2	SCR, SKT SET (1/4-20x.25) LOC-WEL) RAM	103	1	690125-1	WASHER, LAMINATED	43
2	21017-2	SCR, DRIVE (#2x.19) ID PLATE	102	1	690124-1	WASHER, RAM	42
1	461264-1	PLATE, IDENTIFICATION	100	1	690223-1	DISC, SPACER	41
2	5-21006-6	SCR, SET (10-32X.75) DRAG	99	1	23241-6	BALL, STEEL	40
1	22733-8	SCR, BHC (8-32x.38) LOC-WEL) ANVIL	98	1	690170-1	SPRING, COMPRESSION	39
4	2-21002-9	SCR, BHC (10-32X.75) CAP	97	1			38
3	2-22733-8	SCR, BHC (1/4-20x.62) HOUSING	96	1			37
1	2-21002-7	SCR, BHC (10-32x.50) SG ADJ BLOCK	95	1	9-455829-4	DISC, WIRE	36
6	2-21002-2	SCR, BHC (8-32x.50) SHEAR	94	1	22480-5	WASHER, SPRING	35
2	3-21002-0	SCR, BHC (10-32x.88) DRAG	93	1	690212-1	POST, RAM	34
			92	2	690786-3	SUPPORT, TERMINAL	33
			91	1	455675-1	PLATE, BASE	32
			90	1	690432-3	SCREW, ADJUSTMENT	31
			89	1			30
			88	1	455689-1	BLOCK, STRIP GUIDE ADJ	29
			87	1	458144-1	PLATE, STRIP GUIDE	28
			86	1	1-455888-9	SPACER, FRONT SHEAR DEP	27
			85	1	1-22284-0	SPRING, DRAG	26
			84	1	356835-1	LEVER, DRAG RELEASE	25
			83	1	240792-1	DRAG, STOCK	24
			82	1	6-690504-1	GUIDE, STRIP (REAR)	23
			81	1	690438-1	GUIDE, STRIP (FRONT)	22
			80				21
			79				20
			78				19
			77	1	3-22280-3	SPRING, SHEAR	18
			76	1	690461-7	STOP, SHEAR	17
			75	1	1-690459-0	HOLDER, SHEAR (FRONT)	16
			74	1	1-454276-6	SHEAR, FLOAT (FRONT)	15
			73	1	3-683403-6	ANVIL	14
			72	1	240641-5	SPACER, DEPRESSOR (REAR)	13
			71				12
			70	1	2-455889-1	DEPRESSOR, SHEAR (FRONT)	11
			69				10
			68				9
			67				8
			66	1	456412-9	CRIMPER, WIRE	7
			65				6
			64				5
			63				4
			62				3
			61				2
			60				1

QTY	PART NO	DESCRIPTION	ITEM NO
CRIMPING DATA			
PAD LTR	CRIMP HEIGHT	WIRE SIZE	WIRE STRIP LENGTH
A	.129	10	.203-.218
B	NOT USED		
C	.115	12	
D	NOT USED		

REMARKS	NO	REV
APPL USED ON MACHINE PART NO	MACH SERIAL NO	DISTRIBUTION
CUSTOMER NAME	APPL SERIAL NO	ORIGINAL
ADDRESS	PURCHASE ORDER	CUSTOMER COPY
CITY	ENG APP	FIELD ENG COPY

WIRE RANGE	INSULATION RANGE	MACHINE NO
12-10	-	565435-5

AMP-O-ELECTRIC AIR FEED			
SET UP GAGE	10-1	1288	
458637-1			
DR 5/2/90	APP 5-4-90		
P. MATHIAS	B. WOLFE		
CHK 5-4-90	REL 5-4-92		
P. MARTZ	ENTERLINE		

LOC	NO	REV
A	D	567256-4

NAME	MINIATURE QUICK CHANGE APPLICATOR
SIDE FEED	(CONTACT POWER CONN)

CAGE CODE	00779
CUSTOMER AND ASSEMBLY DRAWING	

THIS DRAWING IS UNPUBLISHED.
 RELEASED FOR PUBLICATION JUN 24, 1988
 BY AMP INCORPORATED. ALL RIGHTS RESERVED. © COPR I DIT 1988