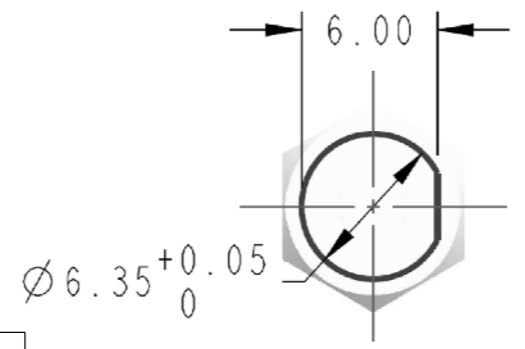
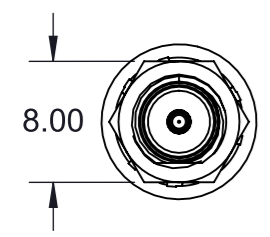
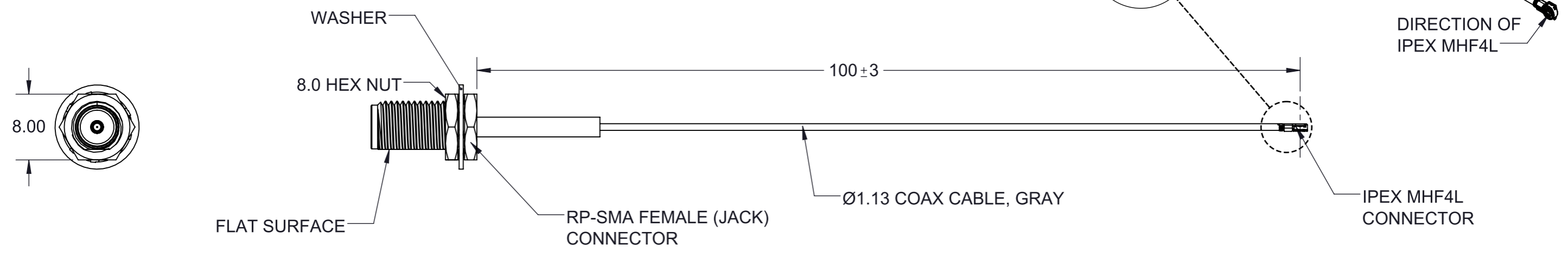
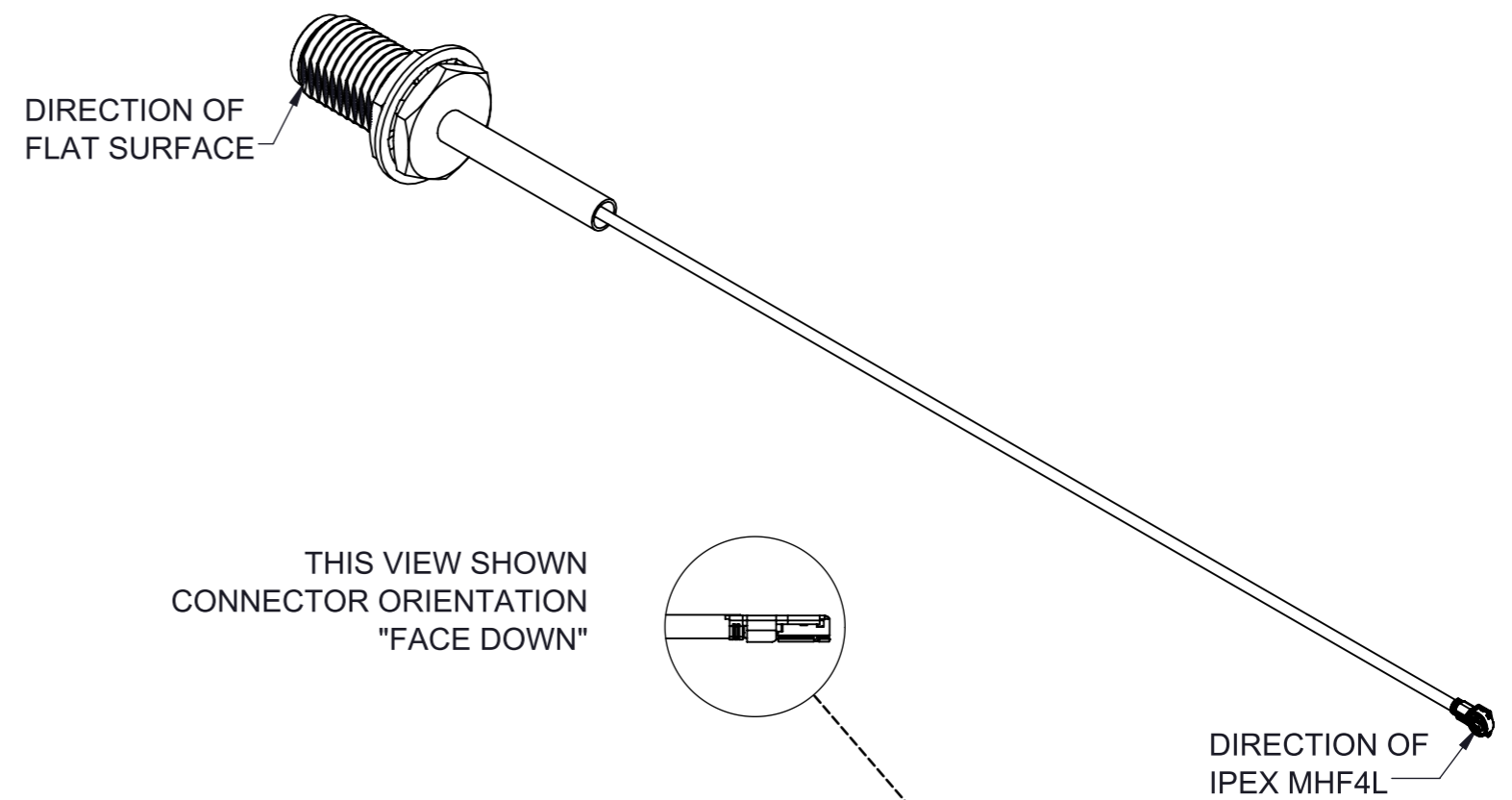


F03 4

PARAMETER	SPECIFICATION		
Part No.	CARSMF10AMH4L-001		
Frequency Range	100MHz to 3GHz	3GHz to 6GHz	6 to 7.5 GHz
VSWR, dB	<1.2:1	<1.5:1	<1.8:1
Insertion Loss, dB	0.55	0.8	1.01
Cable Type	Ø1.13 Coax Cable, Gray		
Connector 1	IPEX MHF4L		
Connector 2	RP-SMA Female		
Cable Length	100 ±3		
Impedance	50		
Temperature Range, °C	-30 to +80		

REVISIONS					
REV.	ECN#	ZONE	DESCRIPTION	CHANGED BY/DATE	APPROVED BY/DATE
F01			INITIAL RELEASE	LCTAN 22SEP20	TERENE 22SEP20
F02			ADD CABLE JACKET COLOR	LCTAN 06NOV20	TERENCE 06NOV20
F03	ECO-21-00478		ADD SPEC FOR 6 to 7.5 GHz	LCTAN 17DEC20	TERENCE 17DEC20



RECOMMEND PANEL CUTOUT

MATERIAL: SEE BOM		THIRD ANGLE PROJECTION	
FINISH: N/A		DO NOT SCALE DRAWING	
APPROVALS		DATE	
DRAWN BY	LCTAN	31MAR20	
ELEC. ENG.	PETER	31MAR20	
MECH. ENG.	WTNG	31MAR20	
MFG./OPS.	GLYEAP	31MAR20	
INTERPRET DIMENSIONING AND TOLERANCING IN ACCORDANCE WITH ASME Y14.5M-2009		TOLERANCES UNLESS OTHERWISE SPECIFIED	
DIMENSIONS ARE IN MILLIMETERS		ANGLE: ±30'	
		0 PLACE DECIMAL: ±0.5	
		1 PLACE DECIMAL: ±0.25	
		2 PLACE DECIMAL: ±0.13	
		SURFACE ROUGHNESS 1.6/√	

TE
connectivity

TITLE: **CARSMF10AMH4L-001**

SIZE **A3** DWG. NO. **CARSMF10AMH4L-001MO** REV **F03**

SCALE: 2:1 PREVIOUS# SHEET 1 OF 1

THIS DRAWING IS UNPUBLISHED. RELEASED FOR PUBLICATION - -
© Copyright 2022 TE Connectivity Ltd. ALL RIGHTS RESERVED.