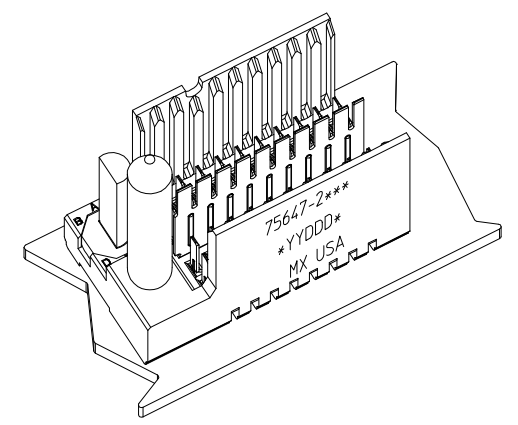
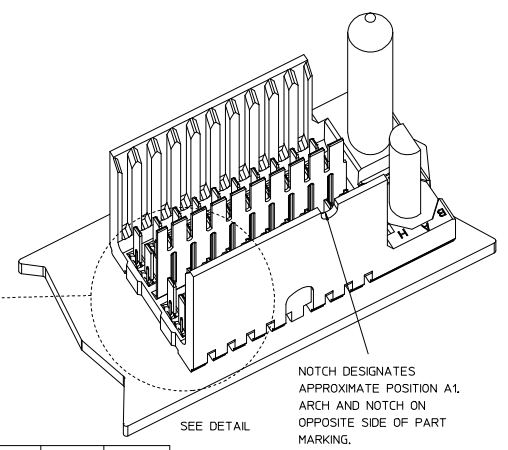
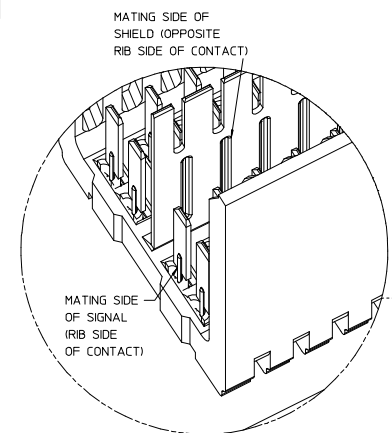
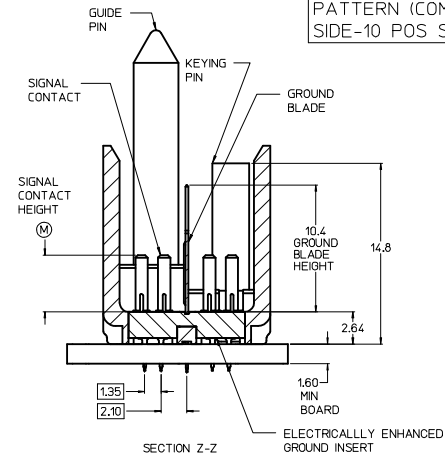
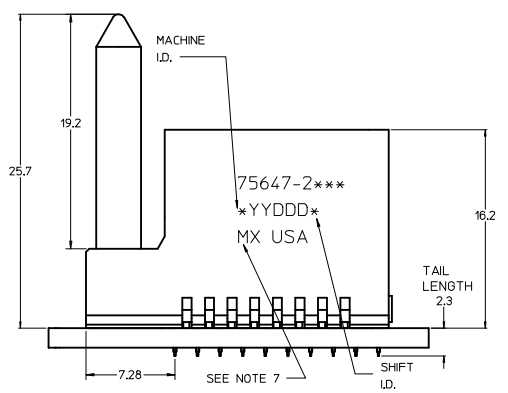


ROW AG & EG RECOMMENDED FOR ALL APPLICATIONS. THESE ROWS SHOULD BE CONNECTED TO GROUND.



THE PRIMARY CARTON WITH A LABEL STATING "ELV AND RoHS COMPLAINT" IS LEAD FREE. CARTONS WITHOUT THIS LABEL MAY CONTAIN LEAD.

BACKPLANE HOLE PATTERN (COMPONENT SIDE-10 POS SHOWN)



PART NUMBER TABLE				
ASSY PART NO.	K	L	P	TOTAL NO. OF DIFFERENTIAL PAIRS
75647-25**	4	7.40	15.53	10
75647-21**	9	16.65	24.78	20
75647-22**	24	44.40	52.53	50

- NOTES:**
- MATERIAL: HOUSING - LIQUID CRYSTAL POLYMER (LCP) GLASS-FILLED, UL 94V-0, COLOR - GRAY, ELECTRICALLY ENHANCED GROUND INSERT: CONDUCTIVE RESIN, COLOR - RED, SIGNAL CONTACT AND GROUND BLADE - HIGH PERFORMANCE COPPER ALLOY.
  - FINISHES: SELECTIVE GOLD (Au) ON CONTACT AREA, SELECTIVE MATTE TIN (Sn) ON PCB TAILS, NICKEL (Ni) OVERALL.
  - THESE PARTS CONFORM TO MOLEX PRODUCT SPECIFICATION PS-75221-999.
  - FOR MIXED CONTACT MATING LENGTHS CONSULT MOLEX FOR AVAILABILITY. CONTACT PAIRS MUST BE THE SAME LENGTH.
  - FOR SPECIFIC PART NUMBER AND MATING INFORMATION PLEASE REFER TO CHART.
  - PACKAGE PER PK-70873-508.
  - MARK PART NUMBER AND DATE CODE APPROXIMATELY WHERE SHOWN.
  - OPTIONAL HOLE LOCATION FOR GROUNDED GUIDE PIN OR ADDITIONAL GUIDE PIN SUPPORT. FOR GROUNDED GUIDE PIN, HOLE TO BE PLATED, DRILL SIZE #25.8, PAD SIZE #5.50.
  - THESE PARTS CONFORM TO MOLEX COSMETIC SPECIFICATION PS-45499-002 CLASS B.
  - MAPS (MOLEX ADVANCED PLATING SYSTEM).

KEYING ORIENTATION  
 0 = NONE  
 1 = A  
 2 = B  
 ETC...

PIN LENGTH DIM "M"	GOLD (Au) THICKNESS micrometers
0=3.55 mm	0.25 (MAPS)
1=4.55 mm	
2=5.55 mm	
3=3.55 mm	0.76
4=4.55 mm	
5=5.55 mm	
7=3.55 mm	1.27
8=4.55 mm	
9=5.55 mm	

P/N	---0*	---1*	---2*	---3*	---4*	---5*	---6*	---7*	---8*
75647(- )	0	A	B	C	D	E	F	G	H
KEYING PIN ORIENTATION									

LEAD-FREE PLATING

REV TO LEAD-FREE EC NO: UCP-2013-0650 DRAWINGS: 2012/09/05 CHKD: MOLEF 2012/09/07 APPR: SMILLER 2012/12/05	QUALITY SYMBOLS ∇=0 ∇=0 ∇=0	GENERAL TOLERANCES (UNLESS SPECIFIED): <table border="1"> <thead> <tr> <th></th> <th>mm</th> <th>INCH</th> </tr> </thead> <tbody> <tr> <td>4 PLACES</td> <td>±0.25</td> <td>±0.010</td> </tr> <tr> <td>3 PLACES</td> <td>±0.38</td> <td>±0.015</td> </tr> <tr> <td>2 PLACES</td> <td>±0.50</td> <td>±0.020</td> </tr> <tr> <td>1 PLACE</td> <td>±0.76</td> <td>±0.030</td> </tr> <tr> <td>0 PLACE</td> <td>±1.27</td> <td>±0.050</td> </tr> </tbody> </table> ANGULAR ±1/2° DRAFT WHERE APPLICABLE MUST REMAIN WITHIN DIMENSIONS		mm	INCH	4 PLACES	±0.25	±0.010	3 PLACES	±0.38	±0.015	2 PLACES	±0.50	±0.020	1 PLACE	±0.76	±0.030	0 PLACE	±1.27	±0.050	DIMENSION STYLE MM ONLY	SCALE 5:1	DESIGN UNITS METRIC	THIRD ANGLE PROJECTION
		mm	INCH																					
	4 PLACES	±0.25	±0.010																					
	3 PLACES	±0.38	±0.015																					
2 PLACES	±0.50	±0.020																						
1 PLACE	±0.76	±0.030																						
0 PLACE	±1.27	±0.050																						
DRAWN BY JB INGHAM	DATE 2006/01/19	CHECKED BY KMULVEY	DATE 2006/01/19	APPROVED BY SMILLER	DATE 2012/12/05	MATERIAL NO. SEE CHART																		
TITLE GBX 2-PAIR BACKPLANE LF ELECTRICALLY ENHANCED LEFT END SALES ASSEMBLY						DOCUMENT NO. SD-75647-210																		
moxle						SHEET NO. 1 OF 1																		

THIS DRAWING CONTAINS INFORMATION THAT IS PROPRIETARY TO MOLEX INCORPORATED AND SHOULD NOT BE USED WITHOUT WRITTEN PERMISSION