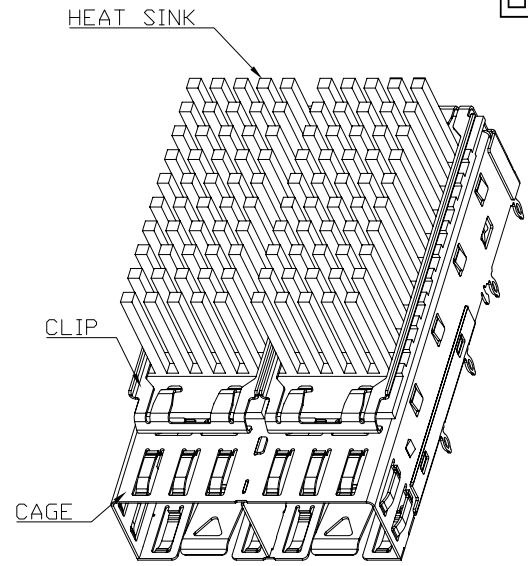


REV.	DATE	DESCRIPTION
01	Jul. 05, '18	1st RELEASE

- NOTES:
- CAGE: T=0.25mm COPPER ALLOY
  - HEAT SINK: ALUMINUM
  - CLIP: STAINLESS STEEL
  - UNSPECIFIED TOLERANCE: .XXX ±0.15  
.XX ±0.25



PART NO		KSFP-A-SPFA-0221		
TITLE		SFP CAGE, EMI TAB, HEAT SINK, PRESS FIT TYPE		
REV : 01				
UNIT	DRAWN	CHKD	DATE	SHEET
mm[inch]	CINDY	VINCENT	Jul. 05, '18	1 of 2

DWG NO KSFP-A-SPFA-0221

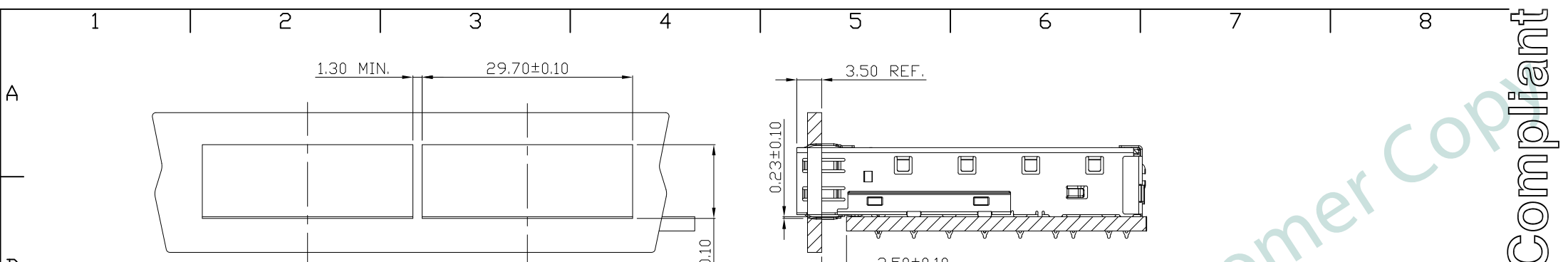
KinnexA, INC. 8F, No. 172, CHENG TEH ROAD SEC. 4, TAIPEI 11167, TAIWAN



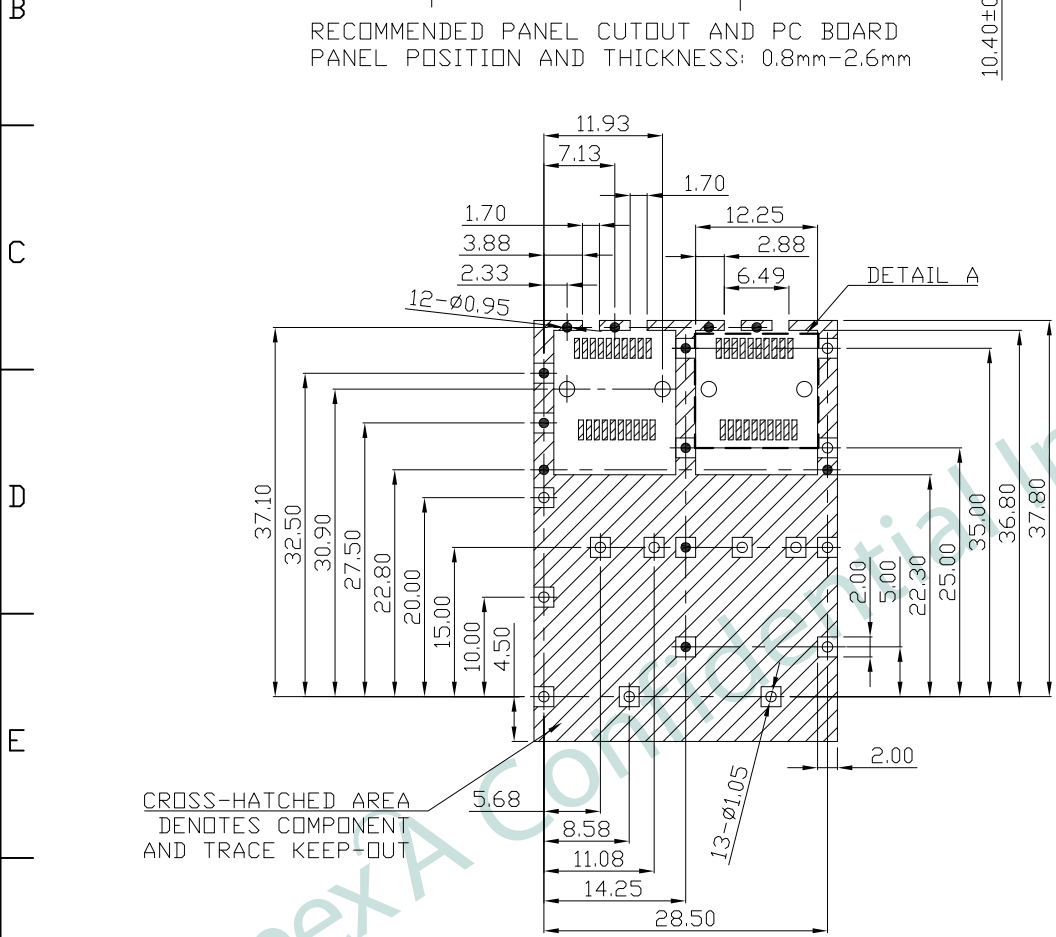
**PRELIMINARY RELEASE SUBJECT TO CHANGE**

※ THIS DRAWING IS A CONTROLLED DOCUMENT ※

ROHS Compliant



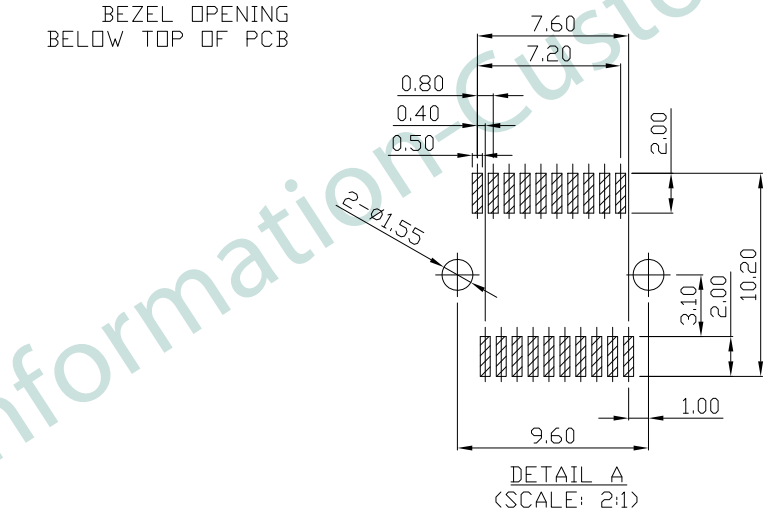
RECOMMENDED PANEL CUTOUT AND PC BOARD  
 PANEL POSITION AND THICKNESS: 0.8mm-2.6mm



CROSS-HATCHED AREA  
 DENOTES COMPONENT  
 AND TRACE KEEP-OUT

EDGE OF BOARD (COMPONENT SIDE)  
 RECOMMENDED MINIMUM PCB THICKNESS: 1.50mm  
 (ALL TOLERANCES ARE ±0.05)

"□ ● ●" ROUND HOLE IS THROUGH HOLE



KSFP-A-SPFA-0221

PRODUCT  
 A: CAGE  
 CATEGORY  
 S: SFP  
 TERMINAL TYPE  
 PF: PRESS FIT  
 EMI TYPE  
 A: EMI TAB  
 SERIAL NUMBER  
 OPTION  
 2: HEATSINK  
 NUMBER OF PORT

PART NO		KSFP-A-SPFA-0221		
TITLE	SFP CAGE, EMI TAB, HEAT SINK, PRESS FIT TYPE			
REV : 01				
UNIT	DRAWN	CHKD	DATE	SHEET
mm[inch]	CINDY	VINCENT	Jul. 05, '18	2 of 2