

**ebm-papst St. Georgen GmbH & Co. KG**

Hermann-Papst-Str. 1  
 D-78112 St. Georgen  
 Phone +49 (0) 7724 81-0  
 Fax +49 (0) 7724 81-1309  
 info2@de.ebmpapst.com  
 www.ebmpapst.com

**Nominal data**

Type	422 JH	
Phase		1~
Nominal voltage	VDC	12
Nominal voltage range	VDC	8 .. 13,8
Speed (rpm)	min <sup>-1</sup>	17250
Power consumption	W	6.9
Min. ambient temperature	°C	-20
Max. ambient temperature	°C	70
Air flow	m <sup>3</sup> /h	38
Sound power level	B	6.6
Sound pressure level	dB(A)	54

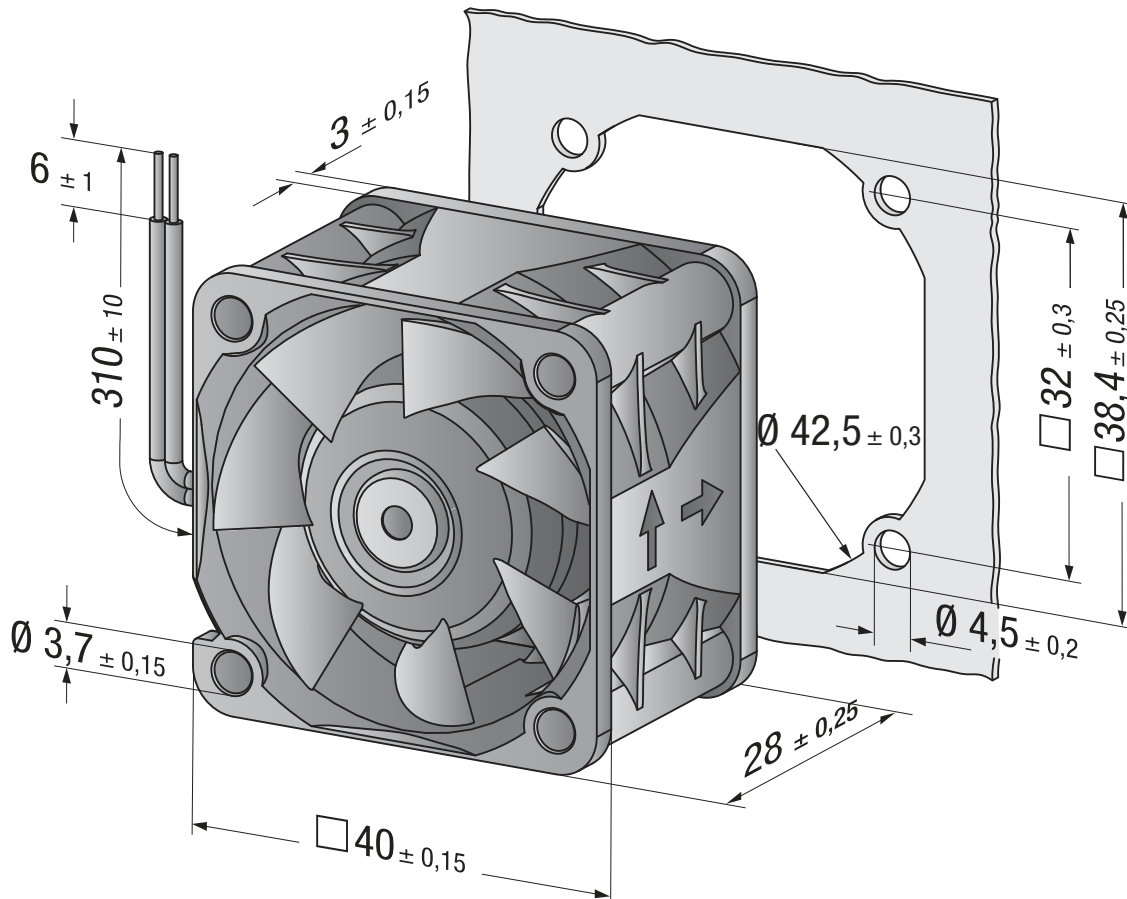
ml = Max. load · me = Max. efficiency · fa = Free air · cs = Customer specification · ce = Customer equipment  
 Subject to change



**Technical description**

<b>Weight</b>	0.045 kg
<b>Dimensions</b>	40 x 40 x 28 mm
<b>Impeller material</b>	Glass-fiber reinforced PA plastic
<b>Housing material</b>	Glass-fiber reinforced PBT plastic
<b>Airflow direction</b>	Exhaust over struts
<b>Direction of rotation</b>	Counterclockwise, viewed toward rotor
<b>Storage</b>	Ball bearing
<b>Service life L10 at 20 °C</b>	60.000 h
<b>Service life L10 at 60 °C</b>	30.000 h
<b>Cable</b>	With leads AWG 28, UL 1061
<b>Approval</b>	VDE, CSA, UL
<b>Option</b>	Possible custom designs: Speed signal Go / No-go alarm External temperature sensor PWM control input Moisture protection Salt spray protection

## Product drawing



## Curves

