

DS3650

Quad Differential Line Receivers

General Description

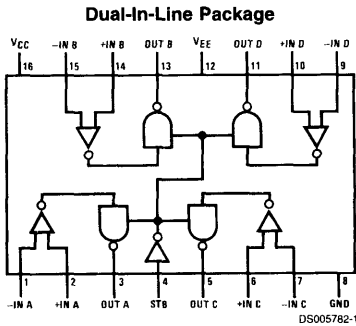
The DS3650 is TTL compatible quad high speed circuits intended primarily for line receiver applications. Switching speeds have been enhanced over conventional line receivers by the use of Schottky technology, and TRI-STATE® strobing is incorporated offering a high impedance output state for bussed organizations.

The DS3650 has active pull-up outputs and offers a TRI-STATE strobe.

Features

- High speed
- TTL compatible
- Input sensitivity: ± 25 mV
- TRI-STATE outputs for high speed busses
- Standard supply voltages: $\pm 5V$
- Pin and function compatible with MC3450

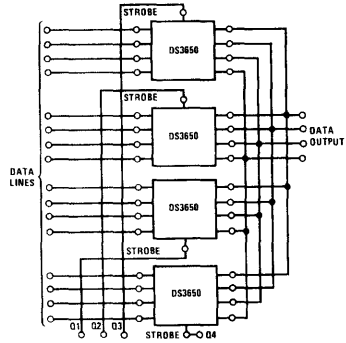
Connection Diagram



Top View

Order Number DS3650M or DS3650N
See NS Package Number M16A or N16A
For Complete Military 883 Specifications,
see RETS Data Sheet.

Wired "OR" Data Selecting Using TRI-STATE Logic



Input	Strobe	Output
		DS3650
$V_D \geq 25$ mV	L	H
	H	Open
-25 mV $\leq V_{ID} \leq 25$ mV	L	X
	H	Open
$V_{ID} \leq -25$ mV	L	L
	H	Open

L = Low Logic State Open = TRI-STATE
H = High Logic State X = Indeterminate State