

4

3

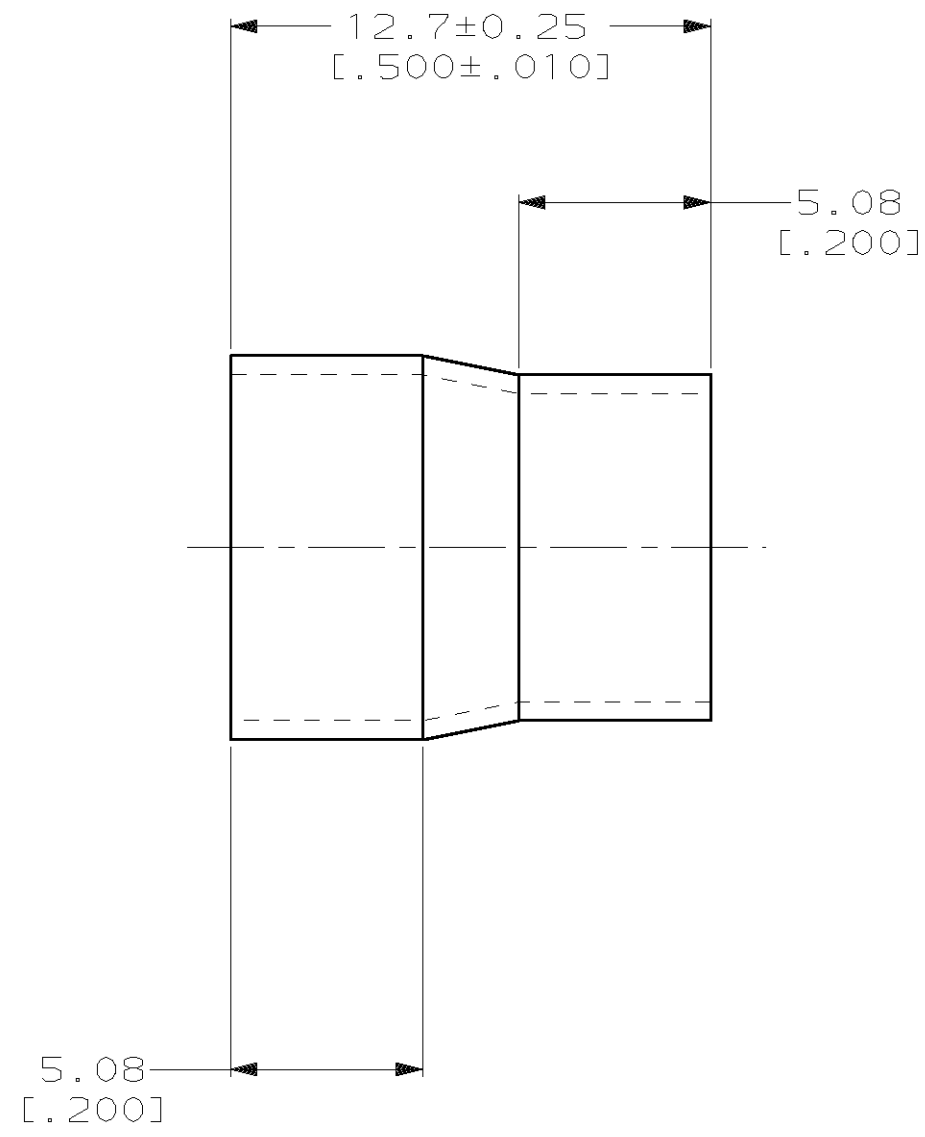
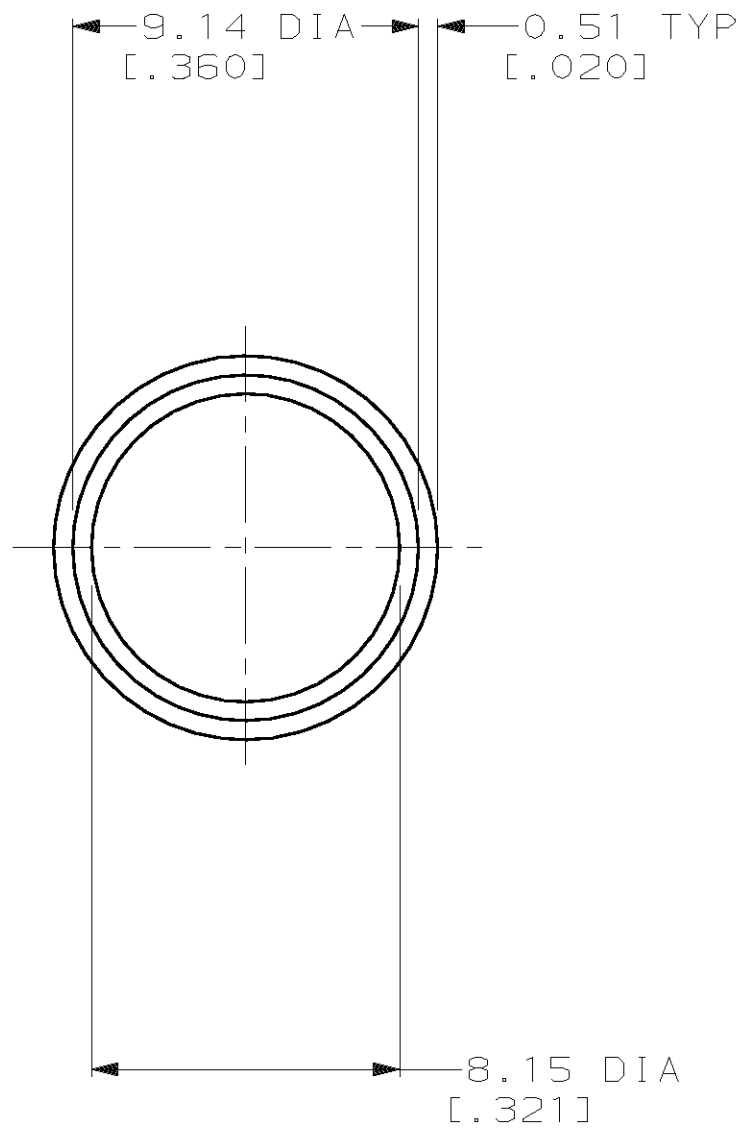
2

1

THIS DRAWING IS UNPUBLISHED. RELEASED FOR PUBLICATION, 19 .

© COPYRIGHT 19 BY AMP INCORPORATED. ALL RIGHTS RESERVED.

LOC	DIST	REVISIONS			
P	LTR	DESCRIPTION	DATE	DWN	APVD
		A	REVISED PER AF0372	22 JUL 84	SS GY
		B	RELEASED PER P.A.R	03 OCT 84	SS GY
		C	REV PER AF4854	29 JUN 87	DH -
		D	REV PER EC 0G40-180-98	07 APR 99	DH JS



520441-1

PART NUMBER

1. INSULATION RANGE:  
8.00-6.65 [0.315-0.262]

THIS DRAWING IS A CONTROLLED DOCUMENT.		DWN S. SCHAFFHAUSER 02 APR 84	<b>AMP</b> AMP Incorporated Harrisburg, PA 17105-3608
DIMENSIONS: mm [INCHES]		CHK G. YETTER 02 APR 84	
TOLERANCES UNLESS OTHERWISE SPECIFIED:		APVD C. ROHDE 02 APR 84	NAME
0 PLC ±-		PRODUCT SPEC	FERRULE, STYLE B, 16 POSITION, SDL
1 PLC ±-		APPLICATION SPEC	SIZE CAGE CODE DRAWING NO RESTRICTED TO
2 PLC ±0.38 [.015]		WEIGHT	A3 00779 C- 520441 -
3 PLC ±-		CUSTOMER DRAWING	SCALE 5:1 SHEET 1 OF 1 REV D
4 PLC ±-			
ANGLES ±-			
MATERIAL COPPER	FINISH BRIGHT TIN		