



WING LOCK COMPRESSION LOCK | VERSION 1



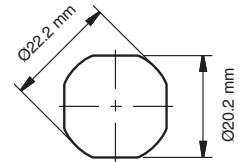
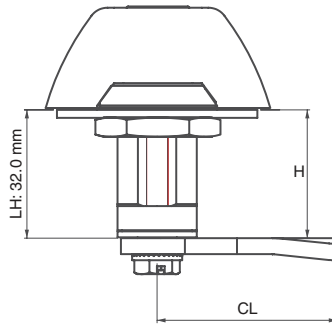
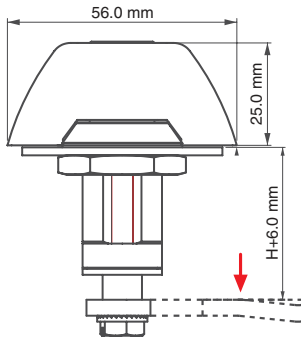
*Example with cam.
Cam sold separately.

Specifications

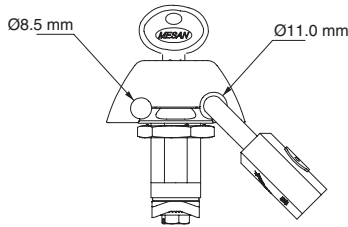
- Material:
Housing: Zinc Alloy (Zamak) DIN-EN 1774-ZnAl4Cu1
Handle: Zinc Alloy (Zamak) DIN-EN 1774-ZnAl4Cu1
Cam: Steel
Gasket: Rubber
- Finish: Chrome or black coated
- Provides 6 mm of compression

Features

- Used for enclosures that require better sealing under vibrating conditions
- Provides noise isolation
- Standard cams without stopper required for these locks
- Applications: Railway applications, construction equipment, electric panels, machinery covers



Padlock Application

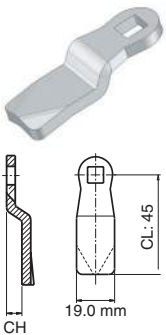


Cut Out

Version 1

Item Number	Chrome	Black	Cylinder	Cam
3401110000		3401120000	No cylinder	Select Cam Below
3401110300		3401120300	Stainless dust cap (keyed alike)	Select Cam Below

Steel Cam



Item Number	CH (mm)	CL (mm)	H (mm)
30403117	0.0	45.0	32.0
30403557	1.0	45.0	33.0
30403581	2.0	45.0	34.0
30403054	3.0	45.0	35.0
30403197	4.0	45.0	36.0
30403128	6.0	45.0	38.0
30403583	8.0	45.0	40.0
30403584	10.0	45.0	42.0
30403123	12.0	45.0	44.0
30403422	14.0	45.0	46.0
30403410	16.0	45.0	48.0

Item Number	CH (mm)	CL (mm)	H (mm)
30403429	18.0	45.0	50.0
30403585	20.0	45.0	52.0
30403586	22.0	45.0	54.0
30403411	24.0	45.0	56.0
30403425	-2.0	45.0	30.0
30403198	-4.0	45.0	28.0
30403423	-6.0	45.0	26.0
30403412	-8.0	45.0	24.0
30403552	-10.0	45.0	22.0
30403587	-12.0	45.0	20.0
30403420	-14.0	45.0	18.0