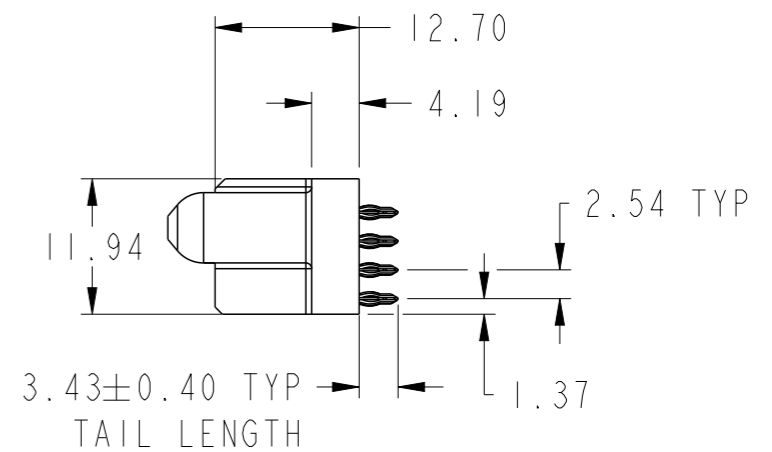
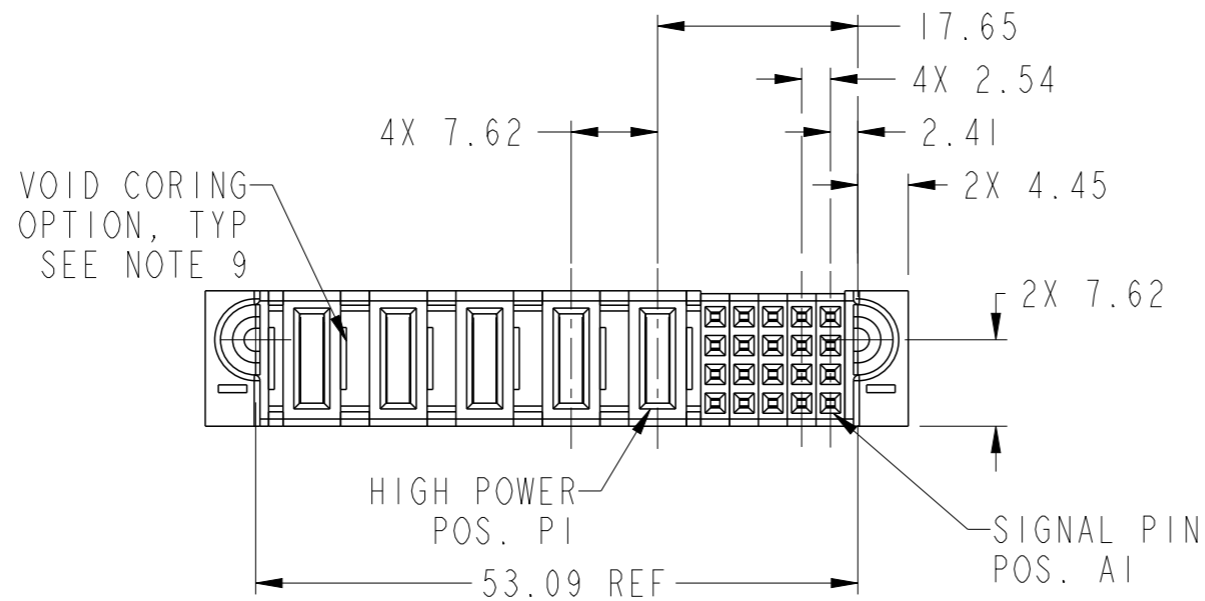
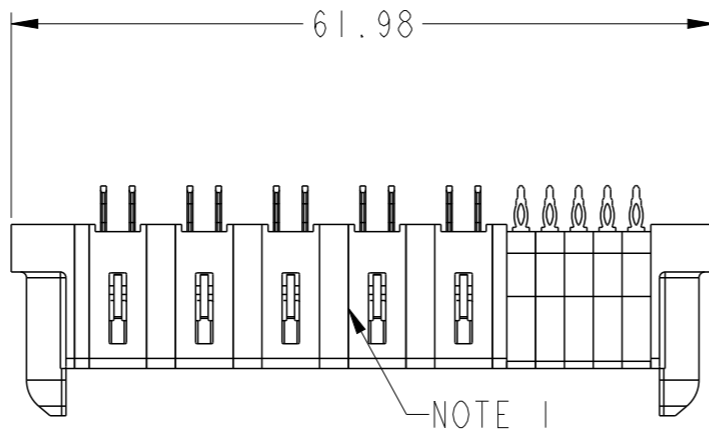
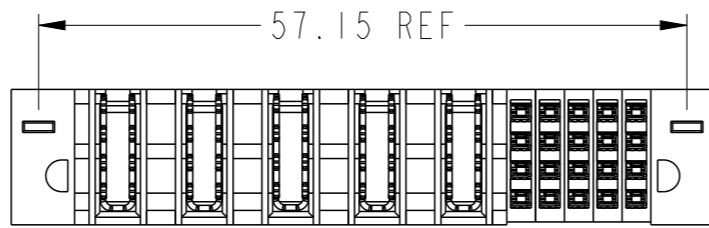


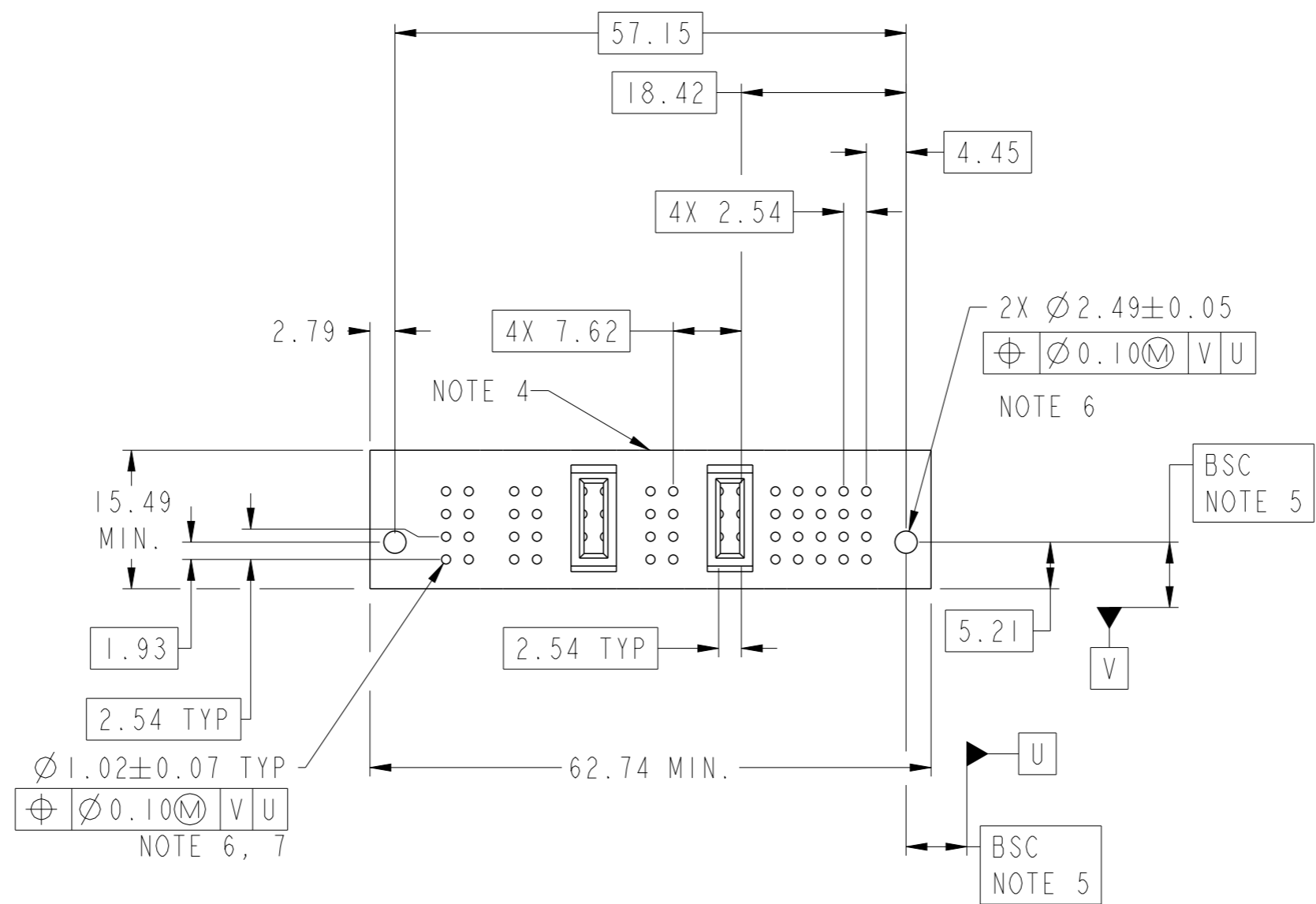
PRODUCT NUMBER SEE SHEET 2



spec ref		dr	Peng-Bing Fu	2013/03/12	projection	MM	size	A3	scale	3:2
tolerance std		eng	Peng-Bing Fu	2013/05/07			ecn no		-	
ASME Y14.5		chr	-	-			rel level		Released	
TOLERANCES UNLESS OTHERWISE SPECIFIED		appr	Pei-Ming Zheng	2013/05/07	product family		PowerBlade+		-	
surface		linear	0.X	±0.50		part no		20S + 5ACP		rev A
			0.XX	±0.25		dwg no		10106123-5005001		
			0.XXX	±0.10		cat. no.		Product - Customer Drw		
ASME Y14.5		angular	0°	±2°	www.fci.com		sheet 1 of 3			

PRODUCT NO.	ROWS	HIGH POWER					SIGNAL					
		E1	P5	P4	P3	P2	P1	5	4	3	2	1
10106123-5005001LF	DCBA	HG	HG	HD	HG	HD	F	F	F	F	F	F

CODE	DESCRIPTION
F	STD SIGNAL CONTACT
HD	MFBL HIGH POWER CONTACT (3.43)
HG	STD HIGH POWER CONTACT (3.43)



Copyright FCI.

dr	Peng-Bing Fu	2013/03/12	projection	MM	size	A3	scale	3:2
eng	Peng-Bing Fu	2013/05/07			ecn no			
chr	-	-			-			
appr	Pei-Ming Zheng	2013/05/07	product family	PowerBlade+	rel level		Released	
			20S + 5ACP VT PF RECEPTACLE		dwg no 10106123-5005001	rev A		
www.fci.com			cat. no.		Product - Customer Drw		sheet 2 of 3	

A

B

C

D

A

B

C

D

NOTES:

- 1) "FCI", PART NUMBER AND DATE CODE TO BE MARKED ON THIS SURFACE.
THE P/N CAN BE OMITTED IF THERE IS NOT ENOUGH SPACE ON THIS SURFACE.
- 2) MATERIALS:
-HOUSING - GLASS FILLED WITH HIGH TEMP THERMOPLASTIC, UL94V-0.
-SIGNAL CONTACT - COPPER ALLOY.
-POWER CONTACT - HIGH CONDUCTIVITY COPPER ALLOY.
- 3) PLATING SPECIFICATION REFER TO FCI 10116351
- 4) DENOTES CONNECTOR KEEP OUT ZONE.
- 5) DATUM AND BASIC DIMENIONS WERE ESTABLISHED BY CUSTOMER.
- 6) ALL HOLE DIAMETERS ARE FINISHED HOLE SIZES.
- 7) 1.15 ± 0.025 MM DRILLED HOLE PLATED WITH 0.00762MM MIN Sn
OVER 0.0254-0.0762MM Cu PLATING TO ACHIEVE A 1.02 ± 0.07 MM HOLE.
- 8) PRODUCT SPECIFICATION REFER TO FCI GS-12-658.
APPLICATION SPECIFICATION REFER TO FCI GS-20-141.
PRODUCT PACKAGED IN TRAYS, REFER TO FCI GS-14-1502.
- 9) THE VOID CORING IN BETWEEN POWER MODULES, SIGNAL
MODULES AND END MODULES ARE OPTIONAL AND THE SHAPE
MAY BE DIFFERENT FOR OPTIMIZE THE MOLDING PROCESS. THE
VOID CORING WILL NOT EFFECT TO PRODUCT FUNCTION.



Copyright FCI.

dr	Peng-Bing Fu	2013/03/12	projection 	MM 	size	A3	scale	1:1	
eng	Peng-Bing Fu	2013/05/07			ecn no	-			
chr	-	-			rel level	Released			
appr	Pei-Ming Zheng	2013/05/07	product family	PowerBlade+					
		20S + 5ACP VT PF RECEPTACLE			dwg no	10106123-5005001		rev	A
www.fci.com		cat. no.	Product - Customer Drw		sheet 3 of 3				