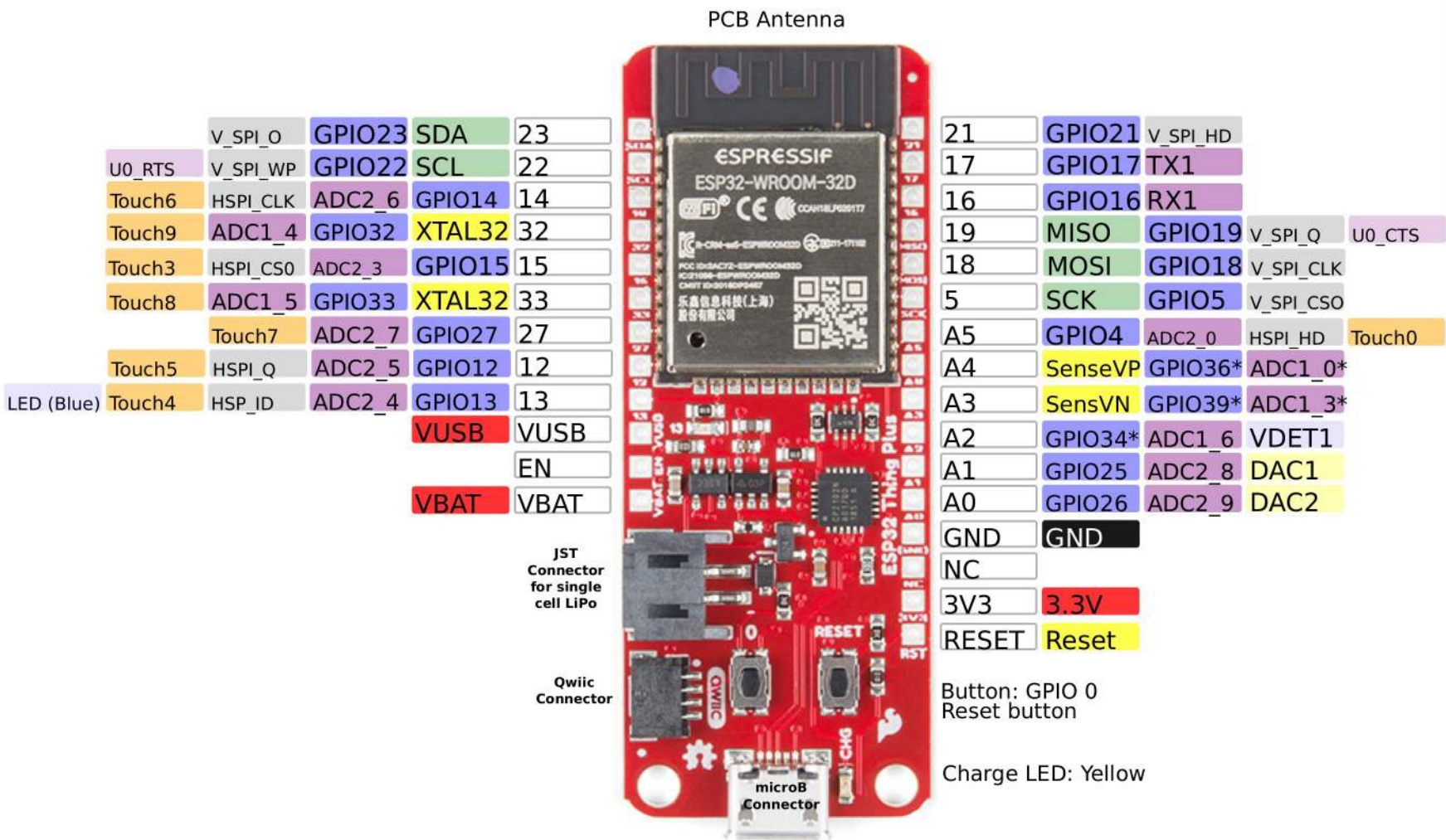


SparkFun ESP32 Thing Plus (WRL-15663)

Name	ADC
Power	DAC
GND	SPI
Control	UART
Arduino	Touch
GPIO	Misc

*GPIO: Port Input Only
*ADC: Pre-amplifier ADC
GPIO 3.3V tolerant only



Power
ESP32 VCC range: 2.2V-3.6V
VBAT: direct to battery (and charger)
VUSB: direct to USB (5V)
VCC: Output of regulator 3.3V/600mA
Up to 250mA during RF transmissions

Wireless
Wifi: 802.11 b/g/n/e/i
WPA/WPA2/WPA2-Enterprise/SPS
Bluetooth: Bluetooth 4.2/BLE

ESP32
Dual-core Xtensa 32-bit LX6
Up to 240MHz
520kB internal SRAM
16MB external flash

Multiplexed I/Os allow up to
13 ADC channels
3 SPI interfaces
3 UART interfaces
2 I2C interfaces
2 I2S interfaces
16 PWM outputs
2 DACs
8 Capacitive Touch Inputs

ADC Preamp
GPIO pins A3 and A4 are able to be used as a low noise analog pre-amplifier

Other*
Hall Sensor
Temp sensor (-40C to 125C)
SD/SDIO/MMC Host Controller
CAN Bus

*On datasheet, but may not be supported yet

