

5

4

3

2

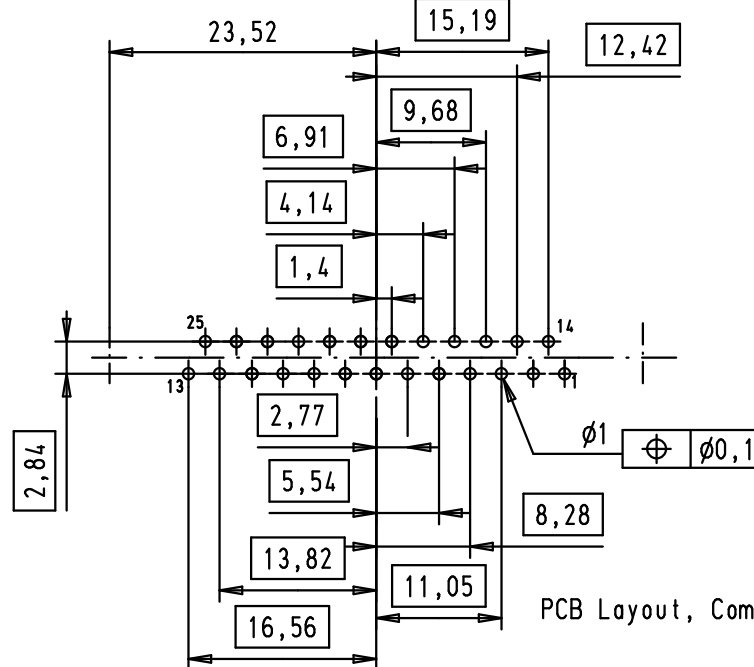
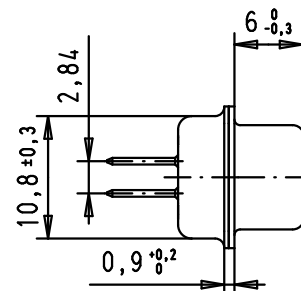
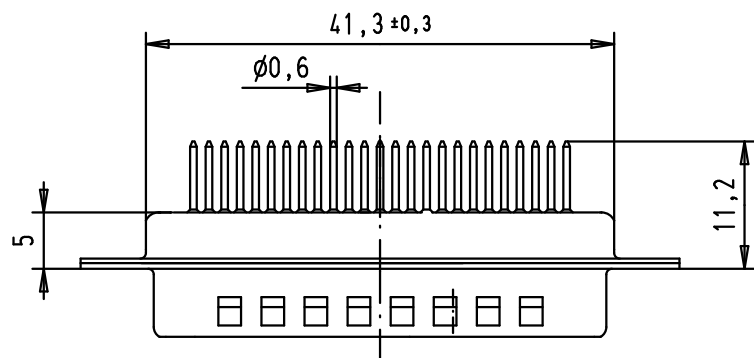
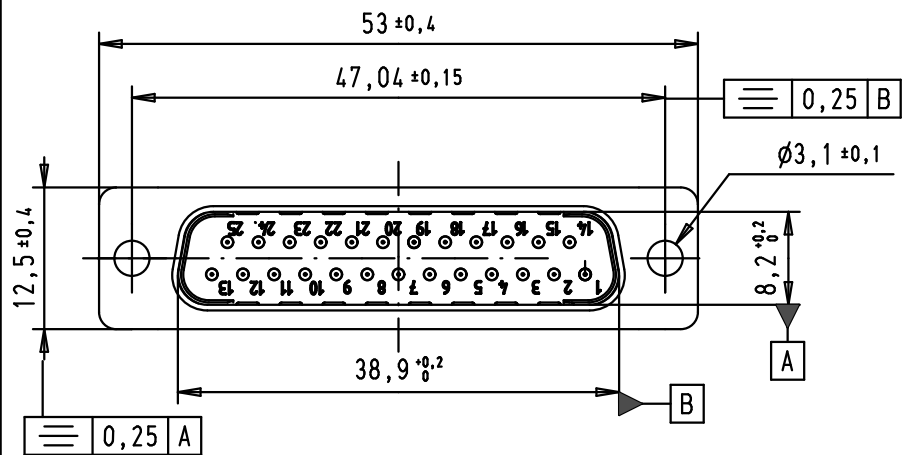
1

D

C

B

A



PCB Layout, Component side

SPECIFICATION

Filter type	C
Performance level	PL2
Capacitance	3900pf±20%
Working Voltage	100v
Current Rating	7.5A
Insulation Resistance	>1GΩ

FREQUENCY (MHz)	ATTENUATION (dB)
5	6dB
10	11dB
50	25dB
100	35dB
500	35dB
1000	32dB

Mod.	Dat.	Name	Dot.	Name
			8-JUL-02	CV
			09/12/11	JB
36283	09/12/11	SD		
31589	13/01/04	AF		
31058	8-JUL-02	CV		
			HARTING EURL F-95972 Paris	

All Dim. in mm
Orig. Size DIN A 4D-Sub, male, straight,
25 Poles, with turned
solder pin and hole

TB 09643227240

Sub.

Mo?Mstab/
Scale

1.5:1

Blatt/ Page

3 / 4