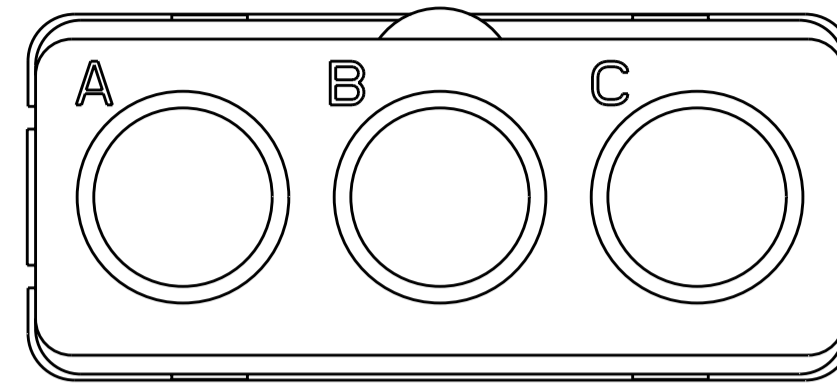
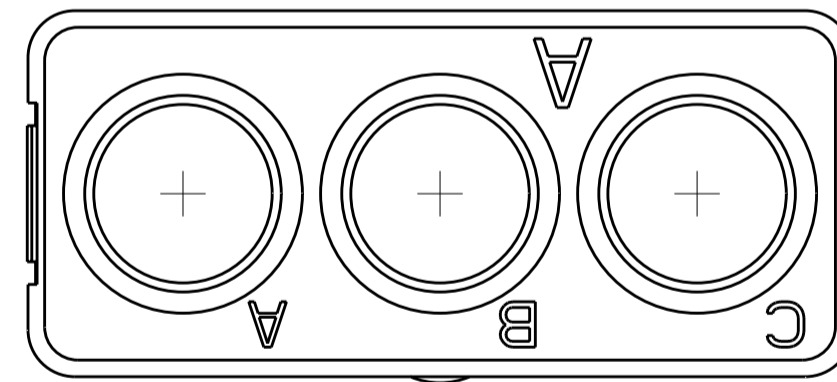
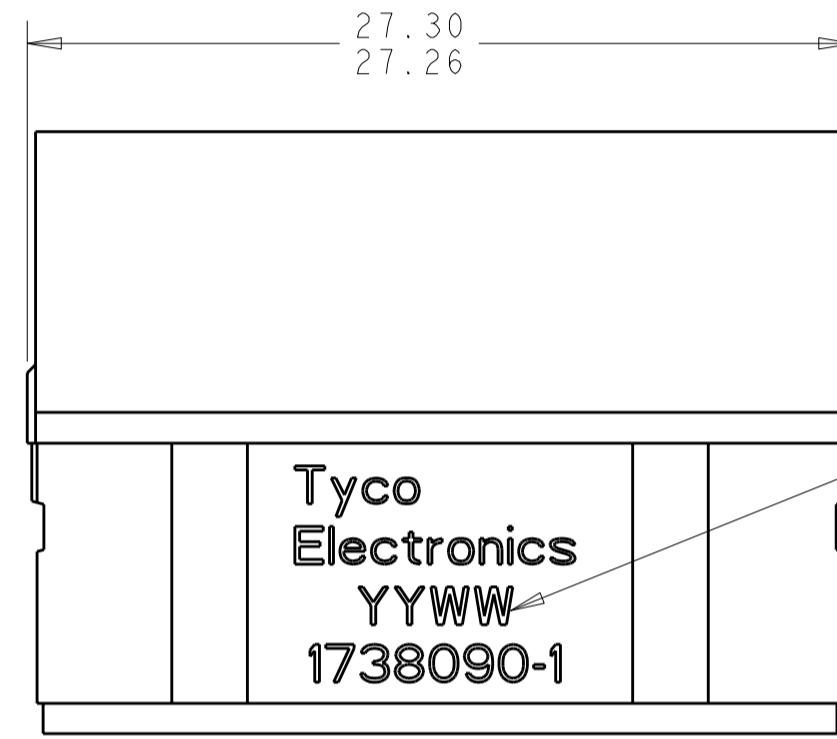
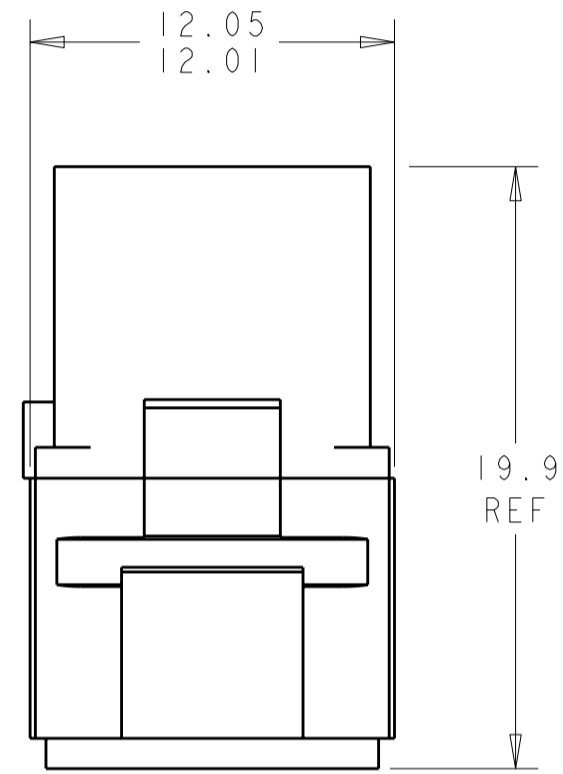


THIS DRAWING IS UNPUBLISHED. RELEASED FOR PUBLICATION
 © COPYRIGHT BY TYCO ELECTRONICS CORPORATION. ALL RIGHTS RESERVED.

LOC	DIST	REVISIONS			
P	LTR	DESCRIPTION	DATE	DWN	APVD
-	-	A	REV PER ECO 10-021982	10-27-10	CT KH



MATING FACE



1 FRONT & REAR INSULATOR: HIGH-TEMP THERMOPLASTIC OR THERMOSET EPOXY PER ASTM D5948.
 CONTACT RETENTION CLIPS: STAINLESS STEEL PER AISI 302 OR COPPER ALLOY PER ASTM B194

2 DATE CODE: YEAR & WEEK (YY WW)

3. DESCRIPTIVE PART NUMBER GPRBNC3SA
 THIS INSERT CONTAINS: 3 CAVITIES FOR SIZE 5 SOCKET COAX CONTACTS

4. THIS PRODUCT IS SOLD BY TYCO ELECTRONICS UNDER A LICENSE FROM RADIALL SA.

1738090-1
 PART NUMBER

<small>THIS DRAWING IS A CONTROLLED DOCUMENT FOR TYCO ELECTRONICS CORPORATION IT IS SUBJECT TO CHANGE AND THE CONTROLLING ENGINEERING ORGANIZATION SHOULD BE CONTACTED FOR THE LATEST REVISION.</small>		DWN	BH	06MAY10	Tyco Electronics Harrisburg, PA 17105-3608
DIMENSIONS:		CHK	JPM	06MAY10	
mm		APVD	JPM	06MAY10	
TOLERANCES UNLESS OTHERWISE SPECIFIED: 0 PLC ±- 1 PLC ±0.1 2 PLC ±0.05 3 PLC ±- 4 PLC ±- ANGLES ±1 FINISH		PRODUCT SPEC	NAME		
		APPLICATION SPEC	INSERT ASSEMBLY, SOCKET, NON-ENVIRONMENTAL ARRANGEMENT C3, KEY A, GPRB		
MATERIAL	1	WEIGHT	-	SIZE	RESTRICTED TO
				A200779	-
CUSTOMER DRAWING		DRAWING NO	C-1738090		
SCALE 4:1		SHEET	OF	REV	A